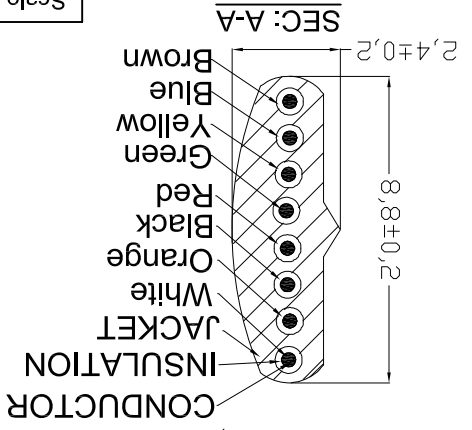
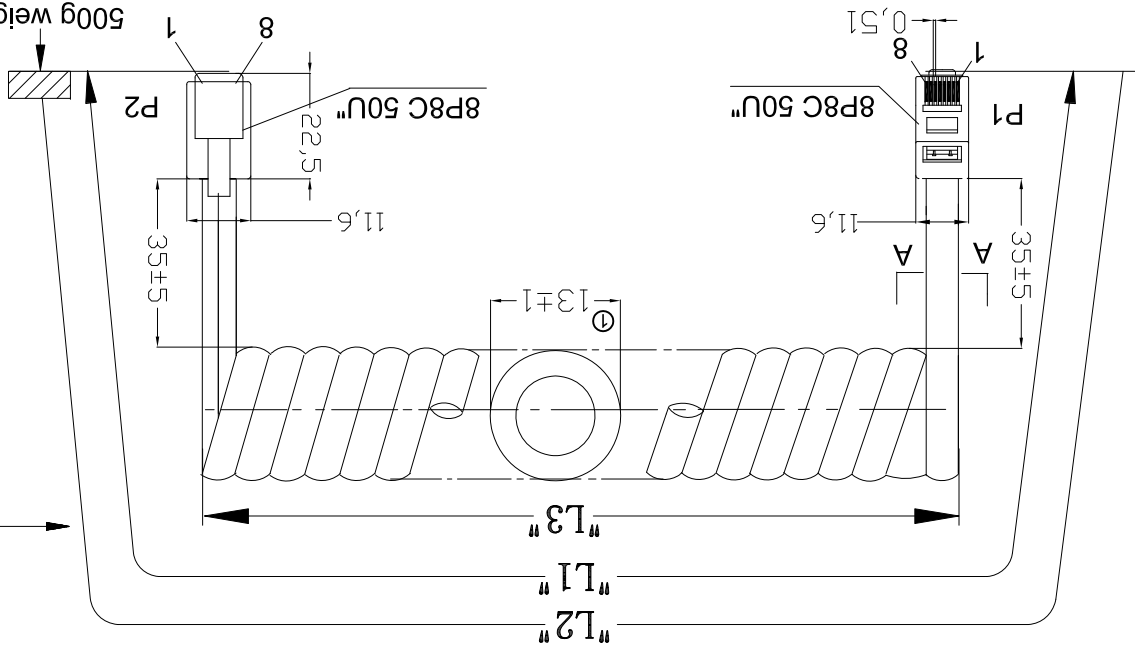


Unit: mm  
RoHS compliant



P1	P2
1	White
2	Orange
3	Black
4	Red
5	Green
6	Yellow
7	Blue
8	Brown



- Note for plug:
- Material: Housing-Polycarbonate, clear.  
Terminal-0.36[.014] thick phosphor bronze.  
Thick gold in localized gold plate.  
Area, Gold flash over the remainder.  
Over 2.54mm[.00100] thick nickel underplate.  
Conductor: [26AWG(0.12x12) BARE COPPER]x8C.  
Insulation: (PP631 ID:0.95-1.0)x8C.  
Jacket: PVC NUL 80P.  
Package: Individual PE Bag.
- ① 500g weight

Order code: AT-C-26-8/8/x-xx

Length	Code	Retracted Length(L3)	Extended Length(L2)	Cut Length(L1)
25	3200±50	25.0FT-28.75FT	14300-14500	
14	1900±50	14.0FT-16.1FT	7600-7800	
12	1650±50	12.0FT-13.8FT	7000-7200	
10	1500±50	10.0FT-11.5FT	5900-6100	
7	1000±50	7.0FT-8.05FT	4000-4200	
5	700±50	5.0FT-5.75FT	2900-3000	

	1	2	3	4	5	6	7												
H	H	G	F	E	D	C	B	A											
									Free	Scale	TOLERANCE	Update the code	Update the dimension, notes, and add the cut length	Modification	Date	Name	Drawing-No.	Replace	
±.xx	±0.20	±0.50	08.05.2019	22.02.2019	18.12.2017	25.02.2017	18.12.2017	18.12.2017											ASS 8164 CA



WSW components

Customer-No. ASSMANN WSW-No. AT-C-26-8/8/x-xx

Drawing-No. ASS 8164 CA rev02

Replace

## X-ON Electronics

Largest Supplier of Electrical and Electronic Components

*Click to view similar products for [assmann](#) manufacturer:*

Other Similar products are found below :

[AU-Y1007-R](#) [A-DF15-HOOD-WP](#) [A-USB-1](#) [AK-320200-100-S](#) [AK-340603-000-S](#) [AK500-RA-6-0.5-R](#) [AK669/2-18-BLACK-R](#) [AT-K-26-10-B/1000](#) [AU-Y1008-2-R](#) [AWG28-50/G/300](#) [AWH26G-0232](#) [AB-900](#) [AB-970](#) [AB-984](#) [A-DS 15PP](#) [AK3730X-R](#) [AK579/F-2](#) [A-MCU60010/Y](#) [A-PC2302-030028-1](#) [AT-S-26-8/8/W-7/R](#) [AWH-24G-E202-IDC](#) [DK-2631-05](#) [DN-91624U](#) [DN-91548U](#) [DK-1511-015/WH](#) [A-MCU60030/R](#) [AWH50G-0202-T-R](#) [AK500/16-OE-7-0.5](#) [AK500/14-OE-5-2](#) [DK-1611-020/B](#) [DK-1511-100/G](#) [AK-320400-002-S](#) [AT-K-26-6-B/500](#) [AK-400102-008-R](#) [AT-K-26-6-W/100](#) [AWP 10-7540-T](#) [AK-330118-100-S](#) [AK-330118-300-S](#) [AK-340102-010-W](#) [AK500/U-1-R](#) [AK-SATA-030DL-R](#) [AWG28-16/G/300](#) [AWG28-9/F/300](#) [ADIP16-G-LC-R](#) [AK-310203-018-E](#) [AK-330105-300-S](#) [AK-340406-001-W](#) [A-MCSSP60020/B-R](#) [A-MO-8/8-F50-R](#) [AWG28-20/G/300](#)