

1

2

3

4

5

6

7

⑥ **USB 2.0 COMPLIANT**

**Waterproof rating: IP67**

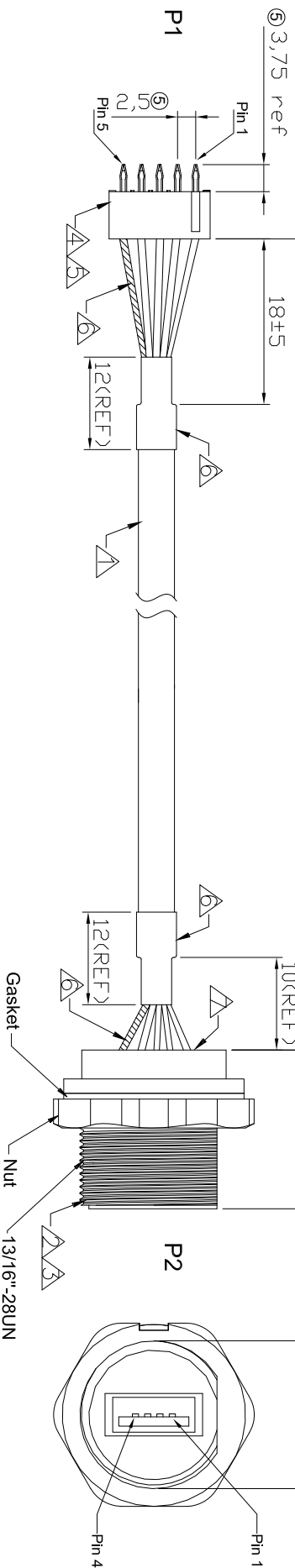
④ Length±10

⑥ 3,75 ref

18±5

22,0

±0,25  
∅20,6



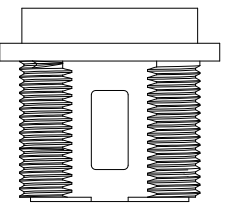
⑤  
2.50\*4  
∅1.00\*5

PCB Layout

⑩ TESTING CONDITIONS:

1. VOLTAGE:300V DC/0,01S.
2. INSULATION RESISTANCE: 10 Mohms min.
3. CONDUCTIVE RESISTANCE: 5 Ohms max.
4. 100% OPEN AND SHORT ELECTRICAL TEST.
- ⑧ 5. OPERATE TEMPERATURE: -20°C~+80°C.
- ⑨ 6. THE CURRENT RATING: 15A.

④ WSW P/N	Length
A-USB-APFS	50 mm
A-USB-APFS-100	100 mm
A-USB-APFS-150	150 mm
A-USB-APFS-200	200 mm
A-USB-APFS-250	250 mm

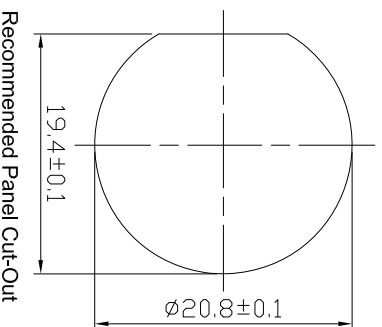


⑩

WIRE LIST

P1	PAIR	COLOR	P2
1		RED(24AWG)	1
2		WHITE(28AWG)	2
3		GREEN(28AWG)	3
4		BLACK(24AWG)	4
5		DRAIN	SHELL

ITEM	SPECIFICATION
③	Black glue A/B (ethoxyline resin)
⑥	BLACK HEAT SHRINKABLE CASING
⑤	TERMINAL:PHOSPHOR BRONZE. TIN-PLATED JWT:B2512TOP-2
④	HOUSING: PH2.5MM SPIN JWT:B2512H00-05P
③	ABS 94V-0. BLACK 13/16"-28UN SHELLED
②	USB A/M CONNERTIOR SOLDER
①	USB 2.0 28AWG*1P+24AWG*2C+AL.MY+D+B UL2725 JACKET BLACK PVC OD=5.0±0.2mm (UV RESISTANT)



Recommended Panel Cut-Out

**ROHS compliant**  
Unit: mm

1

2

3

4

5

6

7

SV2758

Scale	Free	Cancel "A" logo and add new P/N version	Segal	Date	Name	Customer-No.
TOLERANCE	±0.5	⑨ Add current rating information	Segal	20.08.2004	Hellwig	ASSMANN WSW-No.
		⑧ Add operate temperature	Amy	10.08.2018	Amy	④ ⑦ A-USB-APFS A-USB-APFS-xxx
		⑦ Update	Xavier			Drawing-No.
		⑥ Add USB2.0 compliant and add notes	Tom	03.04.2018		ASS 1576 CA
		⑤ Update	Joanna	08.08.2014		rev10
		Id.				Sheet

**ASSMANN**  
components

Replace  
ASS 1576 CA rev10

H

## X-ON Electronics

Largest Supplier of Electrical and Electronic Components

*Click to view similar products for [assmann](#) manufacturer:*

Other Similar products are found below :

[AU-Y1007-R](#) [A-DF15-HOOD-WP](#) [A-USB-1](#) [AK-320200-100-S](#) [AK-330109-020-S](#) [AK-340603-000-S](#) [AK500-RA-6-0.5-R](#) [AK669/2-18-BLACK-R](#) [AT-K-26-10-B/1000](#) [AU-Y1008-2-R](#) [AWG28-50/G/300](#) [AWH26G-0232](#) [AB-900](#) [AB-970](#) [AB-984](#) [A-DS 15PP](#) [AK-330505-000-S](#) [AK3730X-R](#) [AK579/F-2](#) [A-MCU60010/Y](#) [A-PC2302-030028-1](#) [AT-S-26-8/8/W-7/R](#) [AWH-24G-E202-IDC](#) [DK-2631-05](#) [DN-91624U](#) [DN-91548U](#) [DK-1511-015/WH](#) [A-MCU60030/R](#) [AWH50G-0202-T-R](#) [AK500/16-OE-7-0.5](#) [AK500/14-OE-5-2](#) [DK-1611-020/B](#) [DK-1511-100/G](#) [AK-320400-002-S](#) [AT-K-26-6-B/500](#) [AK-400102-008-R](#) [AT-K-26-6-W/100](#) [AWP 10-7540-T](#) [AK-330118-100-S](#) [AK-330118-300-S](#) [AK-340102-010-W](#) [AK500/U-1-R](#) [AK-SATA-030DL-R](#) [AWG28-16/G/300](#) [AWG28-9/F/300](#) [ADIP16-G-LC-R](#) [AK-310203-018-E](#) [AK-330105-300-S](#) [AK-340406-001-W](#) [A-MCSP60020/B-R](#)