

A

A

B

B

C

C

D

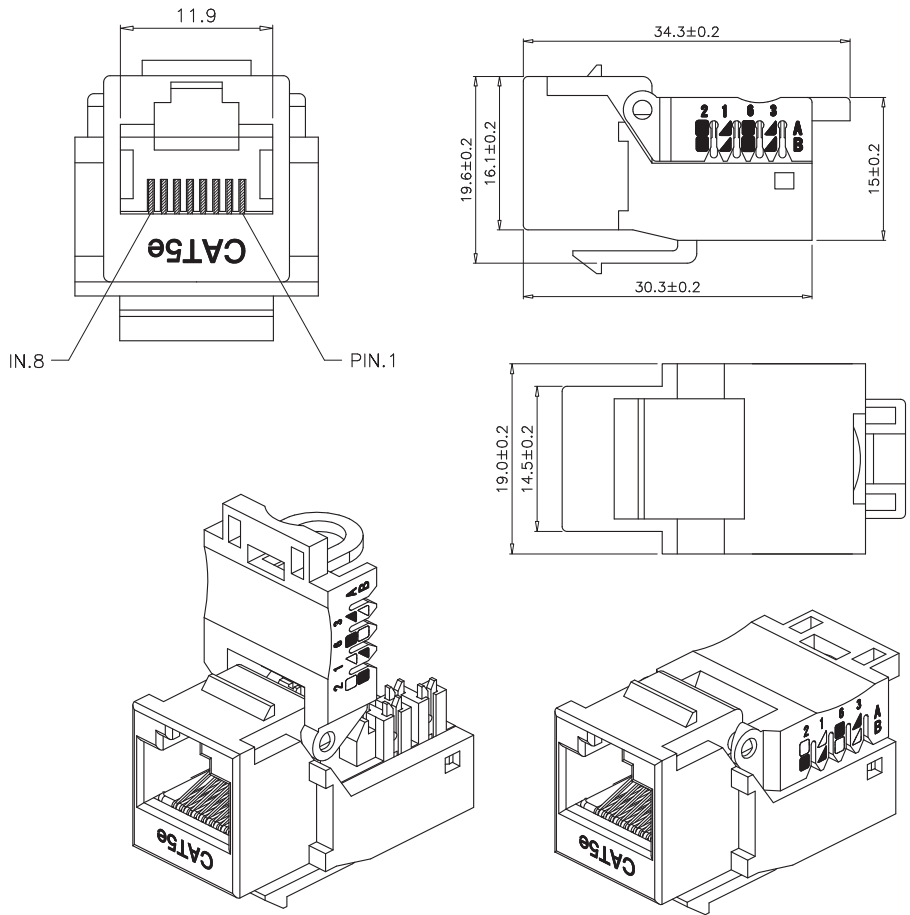
D

E

E

F

F



**Material:**

- 1 RJ45 Jack Housing: ABS, UL94V-0  
- with optional color
- 2. Jack Bracket Set: PBT, UL94V-0
- 3. RJ45 Jack Contact Material & Finished  
- Phosphor Bronze  
- Contact area: Min. 3MM 50 Micro-inch Gold plated over Nickel plated
- 4. IDC Housing: PC, 94V-2
- 5. IDC Terminal material & finished:  
- Phosphor Bronze w/Min. 50 Micro-inch Tin plated  
- Suitable for 23-24AWG stranded & solid wire
- 6. IDC CAP: PC, UL94V-2

**Electrical:**

- Wiring: T568A & T568B
- Insertion Force: 900 GM for 8 contacts
- Retention Strength: 7.7Kg between Jack & Plug
- Operating Temperature: -10°C ~ +60°C
- Durability: Jack: 750 cycles Plug-Jack mating and unmating test, Insertion cycles at 20 cycles/minute max. Contact resistance test per 100 cycles.
- The Cat.5e transmission performance is in compliance with the ANSI/TIA/EIA 568 B.2 standard

Unit: MM±0.1MM



Scale	1:1							Name
TOLERANCE								Item No.
X.X	±0.40					Drawn	12.20.11	Chappell
X.XX	±0.25					Approved		
X.XXX	±0.15							Title
Angle	±3°							Cat5e Unshielded Keystone Jack - 90° Tool Free Type, Blue
								Drawing No.
								rev00
								Replace
								Sheet



## X-ON Electronics

Largest Supplier of Electrical and Electronic Components

*Click to view similar products for [assmann](#) manufacturer:*

Other Similar products are found below :

[AU-Y1007-R](#) [AK-320200-100-S](#) [AK-340305-010-W](#) [AK-340603-000-S](#) [AK500-RA-6-0.5-R](#) [AK669/2-18-BLACK-R](#) [AT-K-26-10-B/1000](#)  
[AU-Y1008-2-R](#) [AWG28-50/G/300](#) [AWH26G-0232](#) [AB-900](#) [AB-970](#) [AB-984](#) [A-DS 15PP](#) [AK-340301-030-S](#) [AK-340305-020-W](#)  
[AK3730X-R](#) [AK579/F-2](#) [A-MCU60010/Y](#) [A-PC2302-030028-1](#) [AT-S-26-8/8/W-7/R](#) [DN-91524U](#) [DK-2631-05](#) [DN-91624U](#) [DN-91548U](#)  
[DK-1511-015/WH](#) [A-MCU60030/R](#) [AWH50G-0202-T-R](#) [AK500/16-OE-7-0.5](#) [DK-1611-020/B](#) [DK-1511-100/G](#) [AT-K-26-10-W/1000](#)  
[AWG28-15/G/300](#) [ATUP-P305T](#) [AWP 10-7540-T](#) [AK-330118-100-S](#) [AK-330118-300-S](#) [AK500/U-1-R](#) [AK-SATA-030DL-R](#) [AWG28-](#)  
[16/G/300](#) [AWG28-9/F/300](#) [ADIP16-G-LC-R](#) [AK-330105-300-S](#) [AK-340406-001-W](#) [A-MCSSP60020/B-R](#) [A-MO-8/8-F50-R](#) [AWG28-](#)  
[9/G/300](#) [V25HK](#) [A-LED8-1WAAS-MR7-1](#) [AWP2 16-7240](#)