

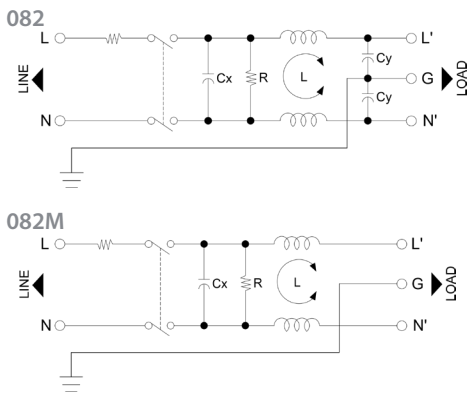
# 082(M)

## FILTERED POWER ENTRY MODULES WITH FUSE HOLDER AND SWITCH (GENERAL PURPOSE & MEDICAL)

### FEATURES

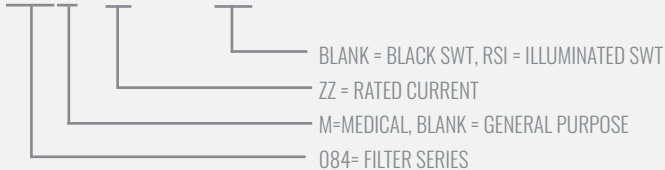
- » Rated currents include **1A, 3A, 6A, and 10A**
- » Single Stage
- » Available with quick disconnect tabs and wire leads options
- » General Purpose & Low Leakage (M)edical options
- » Compact IEC inlet power entry module
- » Integrated safety fuse and DPST on/off switch
- » Easy to install and use
- » Agency Approvals *UL and EN 60939, CSA C22.2*
- » Y-cap value can be adjusted

### ELECTRICAL SCHEMATIC



### HOW TO ORDER

082M.OZZ01.00-RSI



**NOTE:** USE ANY COMBINATOR OF **M, ZZ** AND **T**

E.G. **082.00101.00-RSI** (1A GENERAL PURPOSE VERSION WITH ILLUMINATED SWITCH) | **082M.00601.00** (6A LOW LEAKAGE MEDICAL VERSION)



### SPECIFICATIONS

OPERATING FREQUENCY	50/60Hz
IEC INLET	C14
MAX. OPERATING VOLTAGE	250VAC +10%
CLIMATIC CATEGORY	25/85/21
TERMINALS (-T)	0.25" TABS W: WIRE LEADS
TYP. WEIGHT, LBS (KG)	0.10 (0.04)

### TYPICAL LEAKAGE CURRENT 082

@ 250 VAC 50 Hz	0 - 0.42 mA Max.
@ 120 VAC 60 Hz	0 - 0.23 mA Max.

### TYPICAL LEAKAGE CURRENT 082M

@ 250 VAC 50 Hz	0 - 10uA Max.
@ 120 VAC 60 Hz	0 - 5uA Max.

### HIPOT RATINGS

LINE TO LINE	1450 VDC
LINE TO GROUND	2250 VDC

### TYPICAL APPLICATIONS

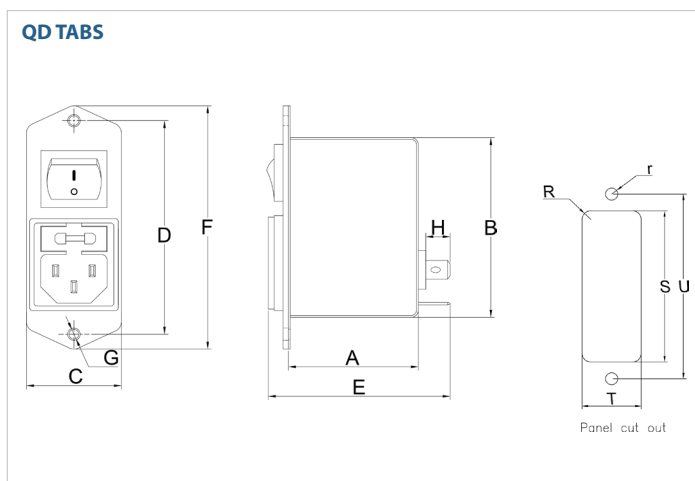
- ✓ Household appliances and equipment
- ✓ Small medical equipment
- ✓ Portable electrical and electronic equipment
- ✓ Test and measurement/lab equipment
- ✓ Rack mounted equipment

# 082(M)

## FILTERED POWER ENTRY MODULES WITH FUSE HOLDER AND SWITCH (GENERAL PURPOSE & MEDICAL)

MODEL NO.	RATED CURRENT, A @ 40° C	TERMINAL OPTIONS	APPLICATION PURPOSE		MAX. DIMENSIONS" (MM)		
		(QD) OUTPUT	GENERAL	MEDICAL	WIDTH	(LENGTH)	HEIGHT
082.00101.00	1	✓	✓		2.39"(61)	1.72"(44)	1.26"(32)
082.00101.00-RSI	1	✓	✓		2.39"(61)	1.72"(44)	1.26"(32)
082.00301.00	3	✓	✓		2.39"(61)	1.72"(44)	1.26"(32)
082.00301.00-RSI	3	✓	✓		2.39"(61)	1.72"(44)	1.26"(32)
082.00601.00	6	✓	✓		2.39"(61)	1.72"(44)	1.26"(32)
082.00601.00-RSI	6	✓	✓		2.39"(61)	1.72"(44)	1.26"(32)
082.01001.00	10	✓	✓		2.39"(61)	1.72"(44)	1.26"(32)
082.01001.00-RSI	10	✓	✓		2.39"(61)	1.72"(44)	1.26"(32)
082M.00101.00	1	✓		✓	2.39"(61)	1.72"(44)	1.26"(32)
082M.00101.00-RSI	1	✓		✓	2.39"(61)	1.72"(44)	1.26"(32)
082M.00301.00	3	✓		✓	2.39"(61)	1.72"(44)	1.26"(32)
082M.00301.00-RSI	3	✓		✓	2.39"(61)	1.72"(44)	1.26"(32)
082M.00601.00	6	✓		✓	2.39"(61)	1.72"(44)	1.26"(32)
082M.00601.00-RSI	6	✓		✓	2.39"(61)	1.72"(44)	1.26"(32)
082M.01001.00-RSI	10	✓		✓	2.39"(61)	1.72"(44)	1.26"(32)

### 082(M) MECHANICAL OUTLINES (MM)



SERIES	(A)	B	C	D	E	F	G	H	U	S	T	R	r
<b>QD TABS (A) (1-10A)</b>	1.72" (44)	2.39" (61)	1.26" (32)	2.83" (72)	2.40" (61)	3.23" (82)	2*4.0	0.35" (9)	2.83" (72)	2.40" (61)	1.18" (30)	0.10" (3)	0.17" (4)

TYPICAL TOLERANCE: +/-0.02" (0.50MM)

# 082(M)

FILTERED POWER ENTRY MODULES WITH FUSE HOLDER AND SWITCH  
(GENERAL PURPOSE & MEDICAL)

## TYPICAL INSERTION LOSS, dB (50/50 Ohm)

### 082 INSERTION LOSS

Amps	Freq (MHz)	0.15	0.5	1	10	30
1	CM (dB)	41.0	53.0	56.0	55.0	50.0
	DM (dB)	18.0	28.0	32.0	50.0	50.0
3	CM (dB)	37.0	49.0	51.0	50.0	50.0
	DM (dB)	18.0	28.0	32.0	50.0	50.0
6	CM (dB)	25.0	35.0	38.0	48.0	45.0
	DM (dB)	18.0	28.0	32.0	50.0	50.0
10	CM (dB)	18.0	26.0	28.0	42.0	40.0
	DM (dB)	18.0	28.0	32.0	50.0	50.0

### 082M INSERTION LOSS

Amps	Freq (MHz)	0.15	0.5	1	10	30
1	CM (dB)	41.0	49.0	51.0	27.0	17.0
	DM (dB)	18.0	28.0	32.0	50.0	50.0
3	CM (dB)	37.0	45.0	43.0	23.0	15.0
	DM (dB)	18.0	28.0	32.0	50.0	50.0
6	CM (dB)	25.0	31.0	33.0	23.0	15.0
	DM (dB)	18.0	28.0	32.0	50.0	50.0
10	CM (dB)	18.0	24.0	26.0	10.0	8.0
	DM (dB)	18.0	28.0	32.0	50.0	50.0

## X-ON Electronics

Largest Supplier of Electrical and Electronic Components

*Click to view similar products for [AC Power Entry Modules](#) category:*

*Click to view products by [Astrodyne](#) manufacturer:*

Other Similar products are found below :

[0098.0050](#) [6167.0002](#) [6609100-2](#) [7-6609955-2](#) [FKI2-50-6/M5](#) [FN361-6-06](#) [FN389-4-22](#) [FN9226B-6-02](#) [FN9233S1-10-06](#) [FN9233S1-8-06](#)  
[FN9233S1B-8-06](#) [FN9233S1R-1-06](#) [FN9233S1R-12-06](#) [FN9233SB-1-06](#) [FN9233SB-12-06](#) [FN9233SB-8-06](#) [FN9233SR-10-06](#) [FN9244B-15-06HI](#) [FN9244EB-3-06](#) [FN9244EB-8-06](#) [FN9244ER-15-06](#) [FN9244ER-8-06](#) [FN9244ES1-8-06](#) [FN9244ESB-8-06](#) [FN9244R-12-06](#)  
[FN9244S1-12-06](#) [FN9244S1R-3-06](#) [FN9244SB-8-06](#) [FN9244SR-6-06](#) [FN9244U-3-06](#) [FN9244U-8-06](#) [8-6609940-2](#) [PE00SSSXB](#) [Fuse-H-EUR-1](#) [Fuse-H-USA-1](#) [PM00XD000](#) [A-0701-HT-H](#) [15EJMS8](#) [1-6609941-2](#) [200JM6-2](#) [CA121003-6](#) [SK-1015\(F1-5\)](#) [161-R3015-E](#) [1-6609153-2](#) [FN323-1-05](#) [FN9233B-8-06](#) [FN9233EB-1-06](#) [FN9233ES1R-10-06](#) [FN9233R-12-06](#) [FN9233S-10-06](#)