

# 083(M)

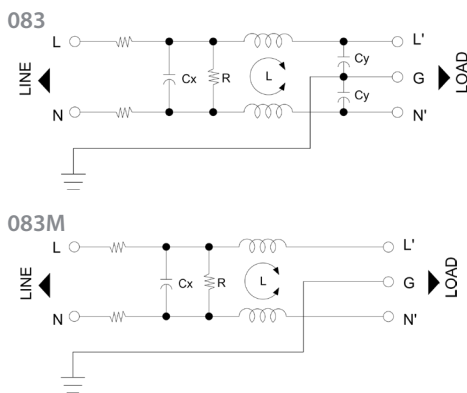
## FILTERED POWER ENTRY MODULES WITH DOUBLE FUSE HOLDER (GENERAL PURPOSE & MEDICAL)

### FEATURES

- » Rated currents include **1A, 3A, 6A, and 10A**
- » Single Stage
- » Available with quick disconnect tabs and wire leads options
- » General Purpose & Low Leakage (M)edical options
- » Compact double safety fuse modules
- » Easy to use IEC inlet power entry filters with two safety fuses (on line and neutral)
- » Agency Approved to *UL and EN 60939, CSA C22.2*
- » Y-cap value can be adjusted



### ELECTRICAL SCHEMATIC



### HOW TO ORDER

083M.0ZZ01.00-T



**NOTE:** USE ANY COMBINATOR OF **M, ZZ** AND **T**

E.G. **083.00101.00** (1A GENERAL PURPOSE VERSION) | **083M.00301.00** (3A LOW LEAKAGE MEDICAL VERSION)

### SPECIFICATIONS

|                        |                             |
|------------------------|-----------------------------|
| OPERATING FREQUENCY    | 50/60Hz                     |
| IEC INLET              | C14                         |
| MAX. OPERATING VOLTAGE | 250VAC +10%                 |
| CLIMATIC CATEGORY      | 25/85/21                    |
| TERMINALS (-T)         | 0.25" TABS<br>W: WIRE LEADS |
| TYP. WEIGHT, LBS (KG)  | 0.10 (0.04)                 |

### TYPICAL LEAKAGE CURRENT 080

|                 |                  |
|-----------------|------------------|
| @ 250 VAC 50 Hz | 0 - 0.42 mA Max. |
| @ 120 VAC 60 Hz | 0 - 0.23 mA Max. |

### TYPICAL LEAKAGE CURRENT 080M

|                 |               |
|-----------------|---------------|
| @ 250 VAC 50 Hz | 0 - 10uA Max. |
| @ 120 VAC 60 Hz | 0 - 5uA Max.  |

### HIPOT RATINGS

|                |          |
|----------------|----------|
| LINE TO LINE   | 1450 VDC |
| LINE TO GROUND | 2250 VDC |

### TYPICAL APPLICATIONS

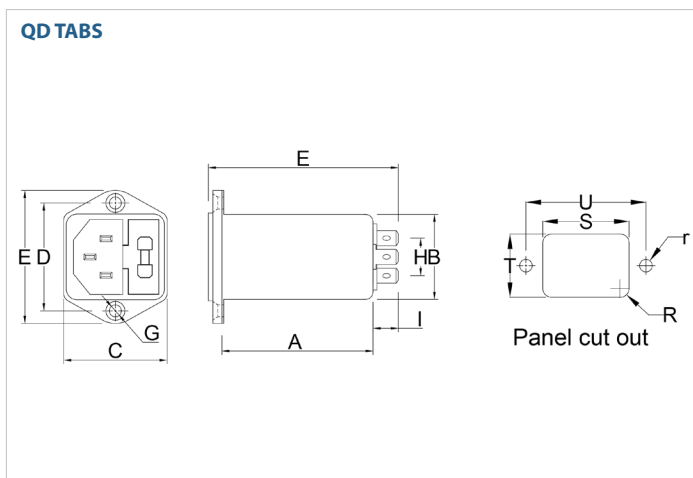
- ✓ Household appliances and equipment
- ✓ Small medical equipment
- ✓ Portable electrical and electronic equipment
- ✓ Test and measurement/lab equipment
- ✓ Rack mounted equipment

# 083(M)

## FILTERED POWER ENTRY MODULES WITH DOUBLE FUSE HOLDER (GENERAL PURPOSE & MEDICAL)

| MODEL NO.     | RATED CURRENT, A @ 40° C | TERMINAL OPTIONS |            | APPLICATION PURPOSE |         | MAX. DIMENSIONS" (MM) |           |           |
|---------------|--------------------------|------------------|------------|---------------------|---------|-----------------------|-----------|-----------|
|               |                          | (QD) OUTPUT      | (W) OUTPUT | GENERAL             | MEDICAL | WIDTH                 | (LENGTH)  | HEIGHT    |
| 083.00101.00  | 1                        | ✓                | ✓          | ✓                   |         | 1.12"(29)             | 2.00"(51) | 1.34"(34) |
| 083.00301.00  | 3                        | ✓                | ✓          | ✓                   |         | 1.12"(29)             | 2.00"(51) | 1.34"(34) |
| 083.00601.00  | 6                        | ✓                | ✓          | ✓                   |         | 1.12"(29)             | 2.00"(51) | 1.34"(34) |
| 083.01001.00  | 10                       | ✓                | ✓          | ✓                   |         | 1.12"(29)             | 2.00"(51) | 1.34"(34) |
| 083M.00101.00 | 1                        | ✓                | ✓          |                     | ✓       | 1.12"(29)             | 2.00"(51) | 1.34"(34) |
| 083M.00301.00 | 3                        | ✓                | ✓          |                     | ✓       | 1.12"(29)             | 2.00"(51) | 1.34"(34) |
| 083M.00601.00 | 6                        | ✓                | ✓          |                     | ✓       | 1.12"(29)             | 2.00"(51) | 1.34"(34) |
| 083M.01001.00 | 10                       | ✓                | ✓          |                     | ✓       | 1.12"(29)             | 2.00"(51) | 1.34"(34) |

### 083(M) MECHANICAL OUTLINES (MM)



| SERIES  | (A)           | B             | C             | D             | E             | F             | G     | H             | I            | U             | S             | T             | R            | r            |
|---------|---------------|---------------|---------------|---------------|---------------|---------------|-------|---------------|--------------|---------------|---------------|---------------|--------------|--------------|
| QD TABS | 2.00"<br>(51) | 1.12"<br>(29) | 1.34"<br>(34) | 1.42"<br>(36) | 2.60"<br>(66) | 1.75"<br>(45) | 2*4.0 | 0.47"<br>(12) | 0.35"<br>(9) | 1.42"<br>(36) | 1.16"<br>(30) | 1.32"<br>(34) | 0.12"<br>(3) | 0.17"<br>(4) |

TYPICAL TOLERANCE: +/-0.02" (0.50MM)

# 083(M)

## FILTERED POWER ENTRY MODULES WITH DOUBLE FUSE HOLDER (GENERAL PURPOSE & MEDICAL)

### TYPICAL INSERTION LOSS, dB (50/50 Ohm)

#### 083 INSERTION LOSS

| Amps | Freq (MHz) | 0.15 | 0.5  | 1    | 10   | 30   |
|------|------------|------|------|------|------|------|
| 1    | CM (dB)    | 41.0 | 53.0 | 56.0 | 55.0 | 50.0 |
|      | DM (dB)    | 18.0 | 28.0 | 32.0 | 50.0 | 50.0 |
| 3    | CM (dB)    | 37.0 | 49.0 | 51.0 | 50.0 | 50.0 |
|      | DM (dB)    | 18.0 | 28.0 | 32.0 | 50.0 | 50.0 |
| 6    | CM (dB)    | 25.0 | 35.0 | 38.0 | 48.0 | 45.0 |
|      | DM (dB)    | 18.0 | 28.0 | 32.0 | 50.0 | 50.0 |
| 10   | CM (dB)    | 18.0 | 26.0 | 28.0 | 42.0 | 40.0 |
|      | DM (dB)    | 18.0 | 28.0 | 32.0 | 50.0 | 50.0 |

#### 083M INSERTION LOSS

| Amps | Freq (MHz) | 0.15 | 0.5  | 1    | 10   | 30   |
|------|------------|------|------|------|------|------|
| 1    | CM (dB)    | 41.0 | 49.0 | 51.0 | 27.0 | 17.0 |
|      | DM (dB)    | 18.0 | 28.0 | 32.0 | 50.0 | 50.0 |
| 3    | CM (dB)    | 37.0 | 45.0 | 43.0 | 23.0 | 15.0 |
|      | DM (dB)    | 18.0 | 28.0 | 32.0 | 50.0 | 50.0 |
| 6    | CM (dB)    | 25.0 | 31.0 | 33.0 | 23.0 | 15.0 |
|      | DM (dB)    | 18.0 | 28.0 | 32.0 | 50.0 | 50.0 |
| 10   | CM (dB)    | 18.0 | 24.0 | 26.0 | 10.0 | 8.0  |
|      | DM (dB)    | 18.0 | 28.0 | 32.0 | 50.0 | 50.0 |

## X-ON Electronics

Largest Supplier of Electrical and Electronic Components

*Click to view similar products for [AC Power Entry Modules](#) category:*

*Click to view products by [Astrodyne](#) manufacturer:*

Other Similar products are found below :

[0098.0050](#) [6167.0002](#) [6609100-2](#) [7-6609955-2](#) [FKI2-50-6/M5](#) [FN361-6-06](#) [FN389-4-22](#) [FN9226B-6-02](#) [FN9233S1-10-06](#) [FN9233S1-8-06](#)  
[FN9233S1B-8-06](#) [FN9233S1R-1-06](#) [FN9233S1R-12-06](#) [FN9233SB-1-06](#) [FN9233SB-12-06](#) [FN9233SB-8-06](#) [FN9233SR-10-06](#) [FN9244B-15-06HI](#) [FN9244EB-3-06](#) [FN9244EB-8-06](#) [FN9244ER-15-06](#) [FN9244ER-8-06](#) [FN9244ES1-8-06](#) [FN9244ESB-8-06](#) [FN9244R-12-06](#)  
[FN9244S1-12-06](#) [FN9244S1R-3-06](#) [FN9244SB-8-06](#) [FN9244SR-6-06](#) [FN9244U-3-06](#) [FN9244U-8-06](#) [8-6609940-2](#) [PE00SSSXB](#) [Fuse-H-EUR-1](#) [Fuse-H-USA-1](#) [PM00XD000](#) [A-0701-HT-H](#) [15EJMS8](#) [1-6609941-2](#) [200JM6-2](#) [CA121003-6](#) [SK-1015\(F1-5\)](#) [161-R3015-E](#) [1-6609153-2](#) [FN323-1-05](#) [FN9233B-8-06](#) [FN9233EB-1-06](#) [FN9233ES1R-10-06](#) [FN9233R-12-06](#) [FN9233S-10-06](#)