

LCR 084-RSI

General Purpose Filtered Power Entry Modules with Double Fuse Holder and a **Red Illuminated** Switch



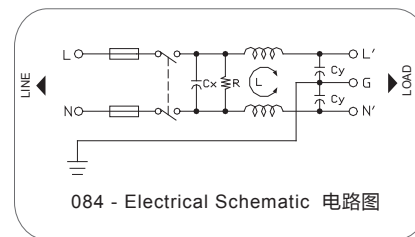
Features

Compact integrated power entry modules with two safety fuses (on line and neutral) and a **red illuminated** on/off switch. Fuses not included.

Typical Applications

Electronic equipment with higher safety and protection requirements.

Electrical Schematic



Specifications

Rated Voltage Max. (V)	120/250 VAC
Rated Current (A)	1-10 A @ 40° C
Operating Frequency (Hz)	50/60 Hz
Hipot Rating	
Line to Line	1450 VDC
Line to Ground	2250 VDC
Case	Plated Steel
Packaging Quantity	90 Pcs per Carton

Leakage Current	
@ 250 VAC 50 Hz	0.42 mA Max.
@ 115 VAC 60 Hz	0.23 mA Max.
IP Class	IP 51
Climatic Category (EN-60068-1)	25/85/21

Model No.*	Rated Current (A) @ 40° C	Mechanical Diagram	Unit Weight (g)	Terminal Options	
				In	Out
084.00101.00-RSI	1	A	92	IEC Inlet Socket	QD 6.35*0.8
084.00301.00-RSI	3	A	93	IEC Inlet Socket	QD 6.35*0.8
084.00302.00-RSI	3	B	93	IEC Inlet Socket	QD 4.80*0.8
084.00601.00-RSI	6	A	94	IEC Inlet Socket	QD 6.35*0.8
084.01001.00-RSI	10	A	100	IEC Inlet Socket	QD 6.35*0.8

* Out internal part number may vary

Specifications are subject to change. Consult factory to verify specifications.

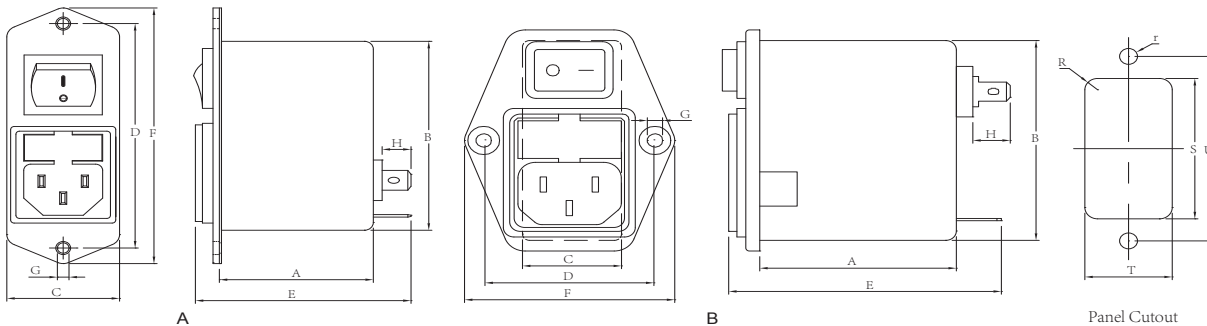
Contact Astrodyne TDI (Radius Power, LCR, & Filter Concepts): (908) 850-5088 or EMifiltersales@astrodynetdi.com

LCR 084-RSI

General Purpose Filtered Power Entry Modules with Double Fuse Holder and a **Red** Illuminated Switch



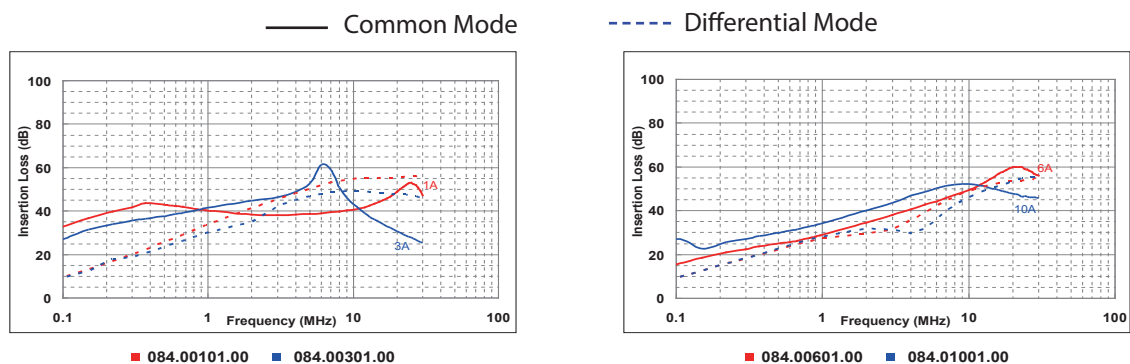
LCR 084-RSI Mechanical Outlines



LCR 084-RSI Mechanical Dimensions

Model No.	A	B	C	D	E	F	G	H	R	S	T	U	r
084.00101.00-RSI	43.7	60.6	32	72	61	82	2* Φ 4.0	8.8	2.5	61	30.0	72	2.1
084.00301.00-RSI	43.7	60.6	32	72	61	82	2* Φ 4.0	8.8	2.5	61	30.0	72	2.1
084.00302.00-RSI	46.0	53.0	29	40	61	55	2* Φ 3.2	8.5	2.5	56	29.5	40	1.6
084.00601.00-RSI	43.7	60.6	32	72	61	82	2* Φ 4.0	8.8	2.5	61	30.0	72	2.1
084.01001.00-RSI	43.7	60.6	32	72	61	82	2* Φ 4.0	8.8	2.5	61	30.0	72	2.1

LCR 084-RSI Insertion Loss in dB Measured in a 50 Ω System



Specifications are subject to change. Consult factory to verify specifications.

Contact Astrodyne TDI (Radius Power, LCR, & Filter Concepts): (908) 850-5088 or EMifiltersales@astrodynetdi.com

X-ON Electronics

Largest Supplier of Electrical and Electronic Components

Click to view similar products for [AC Power Entry Modules](#) category:

Click to view products by [Astrodyne](#) manufacturer:

Other Similar products are found below :

[0098.0050](#) [6167.0002](#) [6609100-2](#) [7-6609955-2](#) [FKI2-50-6/M5](#) [FN361-6-06](#) [FN389-4-22](#) [FN9226B-6-02](#) [FN9233S1-10-06](#) [FN9233S1-8-06](#)
[FN9233S1B-8-06](#) [FN9233S1R-1-06](#) [FN9233S1R-12-06](#) [FN9233SB-1-06](#) [FN9233SB-12-06](#) [FN9233SB-8-06](#) [FN9233SR-10-06](#) [FN9244B-15-06HI](#) [FN9244EB-3-06](#) [FN9244EB-8-06](#) [FN9244ER-15-06](#) [FN9244ER-8-06](#) [FN9244ES1-8-06](#) [FN9244ESB-8-06](#) [FN9244R-12-06](#)
[FN9244S1-12-06](#) [FN9244S1R-3-06](#) [FN9244SB-8-06](#) [FN9244SR-6-06](#) [FN9244U-3-06](#) [FN9244U-8-06](#) [8-6609940-2](#) [PE00SSSXB](#) [Fuse-H-EUR-1](#) [Fuse-H-USA-1](#) [PM00XD000](#) [A-0701-HT-H](#) [15EJMS8](#) [1-6609941-2](#) [200JM6-2](#) [CA121003-6](#) [SK-1015\(F1-5\)](#) [161-R3015-E](#) [1-6609153-2](#) [FN323-1-05](#) [FN9233B-8-06](#) [FN9233EB-1-06](#) [FN9233ES1R-10-06](#) [FN9233R-12-06](#) [FN9233S-10-06](#)