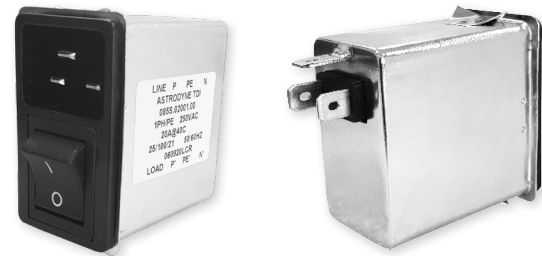


# 085S/085M

## SNAP-IN SINGLE STAGE FILTERED POWER ENTRY MODULE (GENERAL PURPOSE & MEDICAL) WITH SWITCH

### FEATURES

- » Rated currents include **1A, 3A, 6A, 10A, 15A and 20A**
- » ON-OFF Switch
- » Single Stage
- » General Purpose & Low Leakage (M)edical options
- » Agency Approvals *UL and IEC 60939, CSA C22.2 8-13*
- » Y-cap value can be adjusted



### SPECIFICATIONS

OPERATING FREQUENCY	50/60Hz
IEC INLET	C14:1-15A, C20:16/20A
MAX. OPERATING VOLTAGE	250VAC +10%
AMBIENT TEMPERATURE	-25 TO 40°C
CLIMATIC CATEGORY	25/100/21
TERMINALS (-T)	0.25" TABS
TYP. WEIGHT, LBS (KG)	0.30 (0.13)

#### TYPICAL LEAKAGE CURRENT 085S

@ 250 VAC 50 Hz	0 - 0.42 mA Max.
@ 120 VAC 60 Hz	0 - 0.23 mA Max.

#### TYPICAL LEAKAGE CURRENT 085M

@ 250 VAC 50 Hz	0 - 10uA Max.
@ 120 VAC 60 Hz	0 - 5uA Max.

#### HIPOT RATINGS

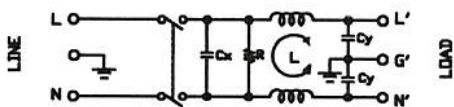
LINE TO GROUND	2250 VDC
----------------	----------

### TYPICAL APPLICATIONS

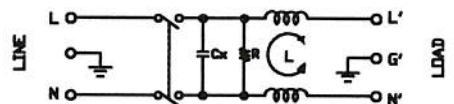
- ✓ Household appliances and equipment
- ✓ Medical equipment
- ✓ Portable electrical and electronic equipment
- ✓ Test and measurement/lab equipment
- ✓ Office automation equipment

### ELECTRICAL SCHEMATIC

085S



085SM



### HOW TO ORDER

085SM.0AA00.00



**NOTE:** USE ANY COMBINATOR OF **M** AND **AA**

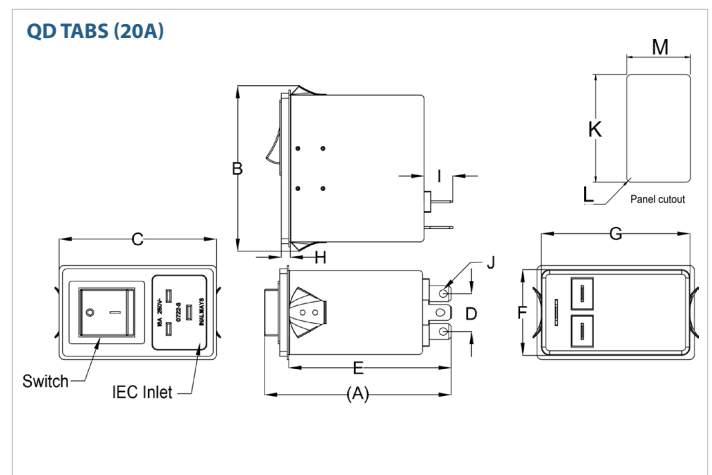
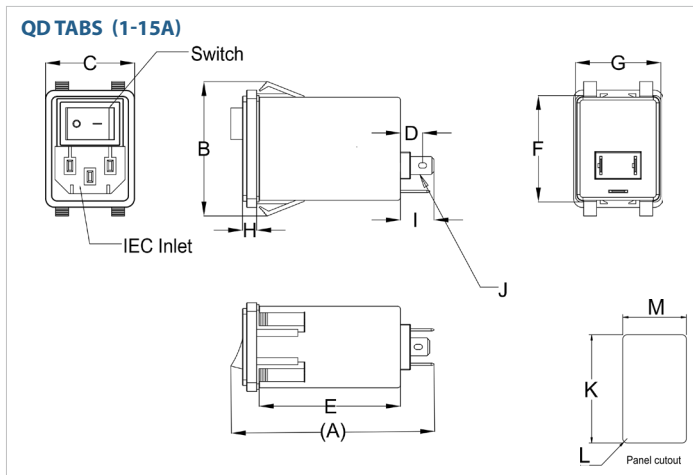
E.G. **085S.00100.00** (1A GENERAL PURPOSE VERSION) | **085SM.00301.00** (3A LOW LEAKAGE MEDICAL VERSION)

# 085S/085M

## SNAP-IN SINGLE STAGE FILTERED POWER ENTRY MODULE (GENERAL PURPOSE & MEDICAL) WITH SWITCH

MODEL NO.	RATED CURRENT, A @ 40° C	TERMINAL OPTIONS	MAX. DIMENSIONS" (MM)		
		(QD)OUTPUT	WIDTH	(LENGTH)	HEIGHT
085S.00100.00	1	✓	1.22" (31)	2.79" (70.8)	1.85" (47)
085SM.00100.00	1	✓	1.22" (31)	2.79" (70.8)	1.85" (47)
085S.00300.00	3	✓	1.22" (31)	2.79" (70.8)	1.85" (47)
085SM.00300.00	3	✓	1.22" (31)	2.79" (70.8)	1.85" (47)
085S.00600.00	6	✓	1.22" (31)	2.79" (70.8)	1.85" (47)
085SM.00600.00	6	✓	1.22" (31)	2.79" (70.8)	1.85" (47)
085S.01000.00	10	✓	1.22" (31)	2.79" (70.8)	1.85" (47)
085SM.01000.00	10	✓	1.22" (31)	2.79" (70.8)	1.85" (47)
085S.01500.00	15	✓	1.22" (31)	2.79" (70.8)	1.85" (47)
085SM.01500.00	15	✓	1.22" (31)	2.79" (70.8)	1.85" (47)
085S.02000.00	20	✓	2.46" (62.6)	2.93" (74.3)	2.60" (66.02)
085SM.02000.00	20	✓	2.46" (62.6)	2.93" (74.3)	2.60" (66.02)

### 085S(M) MECHANICAL OUTLINES (MM)



SERIES	(A)	B	C	D	E	F	G	H	I	J	K	L	M
<b>QD TABS (1-15A)</b>	2.79" (70.8)	1.85" (47)	1.22" (31)	0.30" (7.7)	1.94" (49.2)	1.42" (37.2)	1.17" (29.7)	0.19" (4.9)	0.46" (11.7)	0.25" 6.3*0.8 Terminal	1.53" (38.8)	(4*R2)	1.14" (29)
<b>QD TABS (20A)</b>	2.93" (74.3)	2.60" (66.02)	2.46" (62.6)	0.60" (15.13)	2.54" (64.6)	1.35" (34.2)	2.33" (59.2)	0.14" (3.6)	0.45" (11.4)	0.25" 6.3*0.8 Terminal	2.35" (59.6)	(4*R2)	1.34" (34.1)

TYPICAL TOLERANCE: +/-0.02" (0.50MM)

# 085S/085M

## SNAP-IN SINGLE STAGE FILTERED POWER ENTRY MODULE (GENERAL PURPOSE & MEDICAL) WITH SWITCH

### TYPICAL INSERTION LOSS, dB (50/50 Ohm)

#### 085S INSERTION LOSS

Amps	Freq (MHz)	0.15	0.5	1	10	30
1	CM (dB)	41	55.01	52.28	48.94	38.21
	DM (dB)	19.96	34.43	47.43	67.85	60.64
3	CM (dB)	33.45	48.14	51.45	54.9	34.28
	DM (dB)	19.64	30.2	39.61	64.75	57.16
6	CM (dB)	23.07	35.8	42.96	59.8	48.4
	DM (dB)	19.49	29.72	33.55	59.96	42.37
10	CM (dB)	13.09	25.7	32.94	52.34	47
	DM (dB)	19.7	30.55	36.11	72.05	48.87
15	CM (dB)	6.7	19.31	25.43	44.97	40.03
	DM (dB)	19.67	30.63	36.57	67.16	47.75
20	CM (dB)	12.09	20.2	25.95	32.19	14.64
	DM (dB)	19.54	31.57	42.1	46.63	42.1

#### 085SM INSERTION LOSS

Amps	Freq (MHz)	0.15	0.5	1	10	30
1	CM (dB)	40.26	49.79	42.42	19.57	2.9
	DM (dB)	20.56	36.01	46.08	69.8	46.1
3	CM (dB)	32.6	43	41.92	19.19	1.24
	DM (dB)	19.91	32.73	41.56	53.93	47.94
6	CM (dB)	22.23	30.49	32.96	24.17	13.08
	DM (dB)	19.54	30.94	37.81	46.69	43.39
10	CM (dB)	11.98	20.1	22.86	17.75	11.2
	DM (dB)	19.65	30.82	37.26	38.67	33.11
15	CM (dB)	6.56	13.91	16.43	11.72	5.03
	DM (dB)	19.57	30.72	37.15	37.22	31.16
20	CM (dB)	10.25	13.85	15.15	15.75	9.01
	DM (dB)	19.55	30.96	38.15	36.15	35.27

## X-ON Electronics

Largest Supplier of Electrical and Electronic Components

*Click to view similar products for [AC Power Entry Modules](#) category:*

*Click to view products by [Astrodyne](#) manufacturer:*

Other Similar products are found below :

[6167.0002](#) [6609100-2](#) [7-6609955-2](#) [FN361-6-06](#) [FN389-4-22](#) [FN9233S1-10-06](#) [FN9233S1-8-06](#) [FN9233S1B-8-06](#) [FN9233S1R-1-06](#)  
[FN9233S1R-12-06](#) [FN9233SB-1-06](#) [FN9233SB-12-06](#) [FN9233SB-8-06](#) [FN9233SR-10-06](#) [FN9244B-15-06HI](#) [FN9244EB-3-06](#) [FN9244EB-](#)  
[8-06](#) [FN9244ER-15-06](#) [FN9244ER-8-06](#) [FN9244ES1-8-06](#) [FN9244ESB-8-06](#) [FN9244R-12-06](#) [FN9244S1-12-06](#) [FN9244S1R-3-06](#)  
[FN9244SB-8-06](#) [FN9244SR-10-06](#) [FN9244SR-3-06](#) [FN9244SR-6-06](#) [FN9244U-3-06](#) [FN9244U-8-06](#) [PE00SSSXB](#) [Fuse-H-EUR-1](#)  
[PM00XD000](#) [15EJMS8](#) [1-6609941-2](#) [200JM6-2](#) [CA121003-6](#) [SK-1015\(F1-5\)](#) [1-6609153-2](#) [FN323-1-05](#) [FN372-2-](#) [FN9233B-8-06](#)  
[FN9233EB-1-06](#) [FN9233ES1R-10-06](#) [FN9233S-10-06](#) [FN9233S1B-10-06](#) [FN9233S1B-12-06](#) [FN9233S1B-6-06](#) [FN9233U-6-06](#) [FN9244-6-](#)  
[07](#)