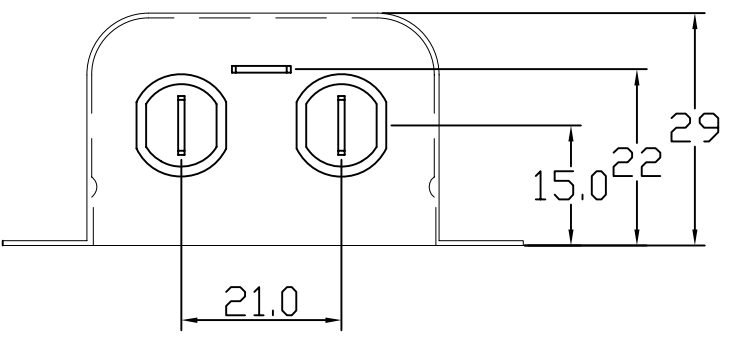
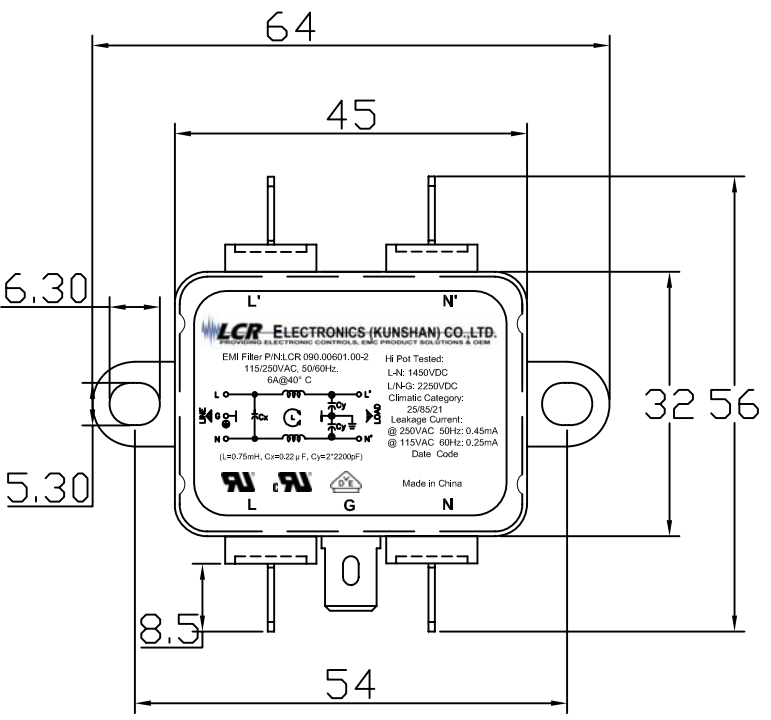
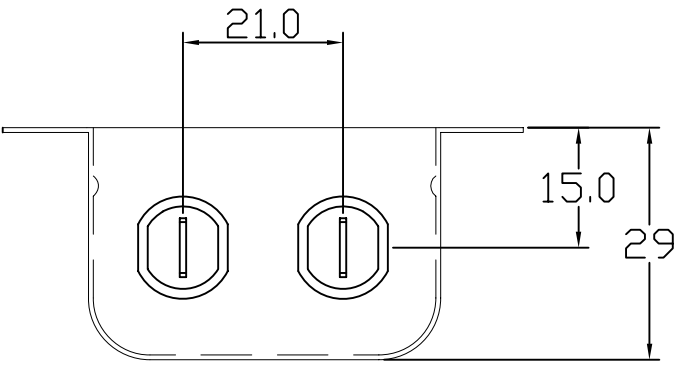


PROPRIETARY STATEMENT  
 THIS DRAWING AND RELATED DOCUMENTS ARE PROPRIETARY INFORMATION AND THE SOLE PROPERTY OF LCR ELECTRONICS(KUNSHAN) CO., LTD. AND MAY NOT BE REPRODUCED IN WHOLE OR IN PART WITHOUT THE WRITTEN PERMISSION OF LCR ELECTRONICS(KUNSHAN) CO., LTD.

REVISIONS		DATE	BY
REV	ECN	DESCRIPTION	



- NOTES:
1. EMI FILTER 250VAC 50/60Hz,6A
  2. TERMINAL:BRASS, TIN PLATED, 6.38\*0.8mm 5PCS
  3. METAL CAN: CRS NI PLATED.

UNLESS OTHERWISE SPECIFIED		DIM BY		zhujie		03/29/10	
BREAK ALL SHARP EDGES		CHK'D BY					
REMOVE ALL BURRS		APP'D BY					
DIMENSIONS ARE IN mm		SCALE		1/1		CAGE CODE:	
TOLERANCES ARE:		TITLE:		Outline drawing for EMI filter			
DEC. = +/-1.0		MATERIAL:SEE NOTES		FINISH:SEE NOTES			
DEC. X.X = +/-0.5		DRAWING No.:		D-090.00601.00-2			
FRA = +/-0.2		REV		1.0			
ANG =		REV		1.0			
THIRD ANGLE PROJECTION		USED ON					
090.00601.00-2		LCR ELECTRONICS (KUNSHAN) CO., LTD.		601 Hengchangjing Road, Kunshan City,Jiangsu Province,China			

## X-ON Electronics

Largest Supplier of Electrical and Electronic Components

*Click to view similar products for [Power Line Filters](#) category:*

*Click to view products by [Astrodyne](#) manufacturer:*

Other Similar products are found below :

[6609019-3](#) [6609026-5](#) [6609030-6](#) [6609973-2](#) [D30A](#) [7-1609090-5](#) [F2810](#) [F4456A](#) [F7382Z](#) [F7863Z](#) [FAHAV3100ZC000](#) [806276](#) [FN2020B-1-06](#) [FN2080B-10-06](#) [FN2410H-32-33](#) [FN2410H-80-34](#) [FP144](#) [FS4153-20-06](#) [FS4353-500-99](#) [12-MMB-030-11-D](#) [DB4-393](#) [15811T200](#) [20B1](#) [LC630](#) [2B1](#) [1609080-2](#) [1609993-8](#) [1-6609070-1](#) [F1100AA02](#) [F1150CC10](#) [F1500CA10](#) [F1500CA15](#) [F4041Z](#) [F7585E](#) [1B1](#) [FN2070A-16-06](#) [FN2090A-20-06](#) [FN2090B-12-06](#) [FN2090Z-1-06](#) [FN2410H-25-33](#) [FN2410H-60-34](#) [FN2410H-8-44](#) [FN2412H-8-44](#) [FN323B-6-01](#) [FN610R-3-06](#) [20EHQ7](#) [20EHZ7](#) [20K1](#) [30B6](#) [3K1](#)