

D2L

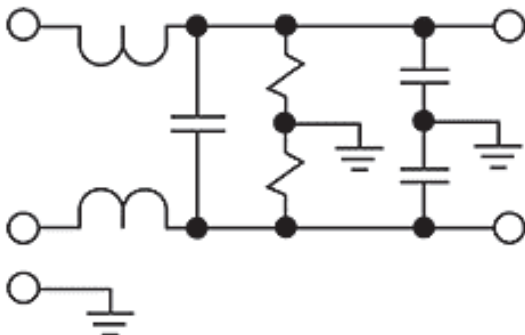
HIGH PERFORMANCE SEVERE ENVIRONMENT DC POWER FILTER

FEATURES

- » Rated currents include **1A, 2A, 5A, 10A, 20A, 40A, 75A and 100A**
- » Multi-Stage Line Filter
- » Subject to MIL STD 461 conducted emissions
- » Available with **QD** (tabs) and **S** (studs) option
- » Low Profile Case & Flange Mount Available
- » High Performance Design
- » Y-cap value can be adjusted to fit specification

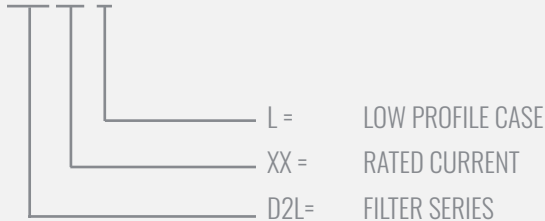


ELECTRICAL SCHEMATIC



HOW TO ORDER

D2LXX L



NOTE: USE ANY COMBINATION OF -X (AMPS) WITH ANY -Y RATINGS
E.G. **D2L40 L**(40 AMPS, LOW PROFILE CASE)

SPECIFICATIONS

MAX. OPERATING VOLTAGE	60VDC +10%
TERMINALS (-T)	QD: 0.25 TABS STUDS: 8-32 (5-20A), 10-32(40A)
TYP. WEIGHT, LBS (KG)	0.6 - 11.75 (0.27 - 5.35)
<hr/>	
LEAKAGE CURRENT	
@ 250 VAC 60 HZ	Contact Factory
<hr/>	
HIPOT RATINGS	
LINE TO GROUND	150 VDC - 200 VDC

TYPICAL APPLICATIONS

- ✓ Grounded return systems
- ✓ Mobile system
- ✓ MIL ground vehicles

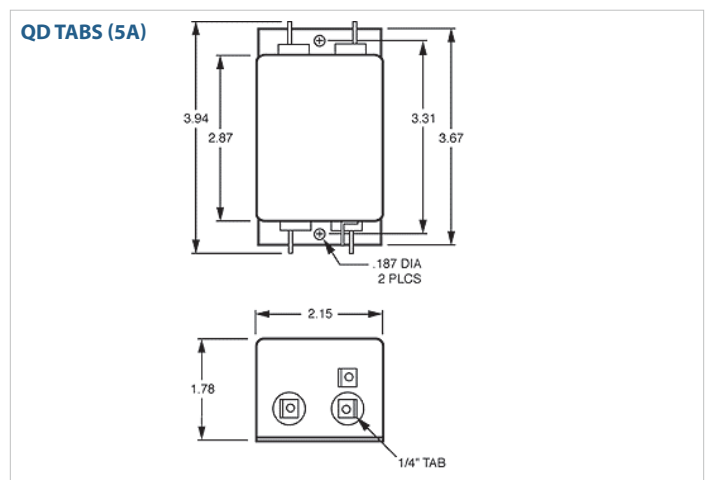
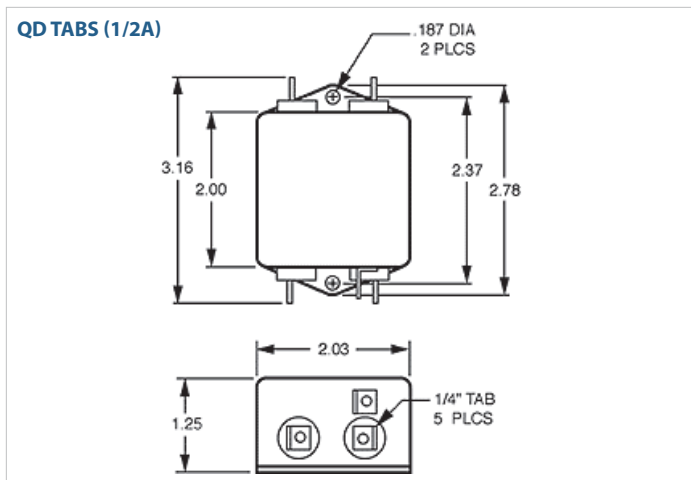
D2L

HIGH PERFORMANCE SEVERE ENVIRONMENT DC POWER FILTER

MODEL NO.	RATED CURRENT (A) @ 40° C	Y-CAP, nF	LEAKAGE CURRENT, mA @ 250V AC, 60 Hz	TERMINAL OPTIONS			MAX. DIMENSIONS" (MM)		
				(QD) INPUT/ OUTPUT	(S) INPUT/ OUTPUT	(C) INPUT/ OUTPUT	WIDTH	(LENGTH)	HEIGHT
D2L1	1	*	*	✓			2.03"	3.2"	1.25"
D2L2	2	2x.0047µF/2x1µF	*	✓			2.03"	3.2"	1.25"
D2L5	5	2x.0047µF/2x2.2µF	*	✓			2.15"	4.07"	1.78"
D2L5 S	5	2x.0047µF/2x2µF	*		✓		2.15"	4.13"	1.78"
D2L10	10	*	*	✓			2"	4.95"	2"
D2L10 F	10	2x.0047µF/2x4µF	*	✓			2"	4.95"	2"
D2L10 FS	10	2x.0047µF/2x4.7µF	*		✓		2"	5.01"	2"
D2L10 S	10	*	*		✓		2"	4.95"	2"
D2L20	20	*	*		✓		3"	5.51"	2.75"
D2L20 F	20	2x.0047µF/2x8µF	*		✓		3"	5.51"	2.75"
D2L40	40	*	*		✓		4"	6.62"	4"
D2L40 F	40	2x.0047µF/2x8µF	*		✓		4"	6.62"	4"
D2L40 L	40	*	*		✓		4"	6.62"	4"
D2L75	75	*	*		✓		5"	9.96"	4.75"
D2L100	100	*	*		✓		5"	9.96"	4.75"

*Contact factory for part data.

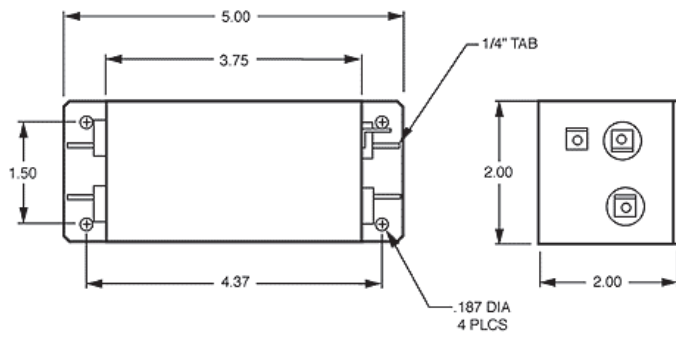
D2L MECHANICAL OUTLINES (MM)



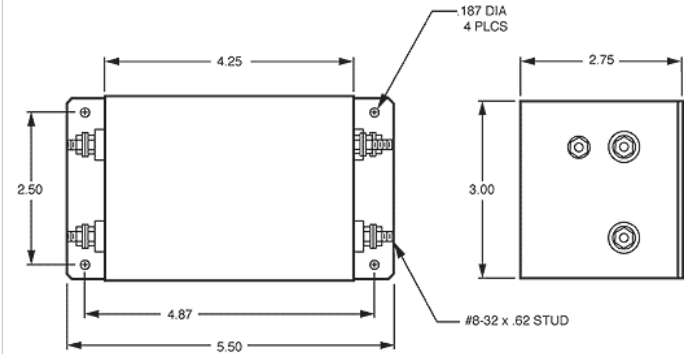
D2L

HIGH PERFORMANCE SEVERE ENVIRONMENT DC POWER FILTER

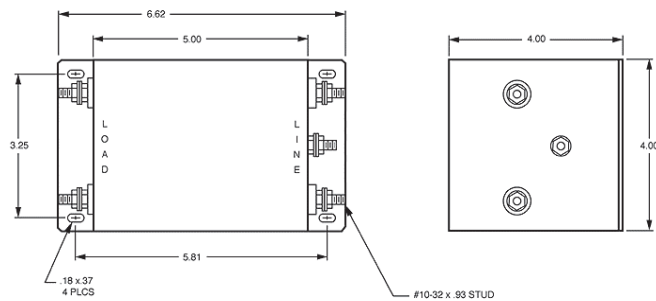
QD TABS (10A)



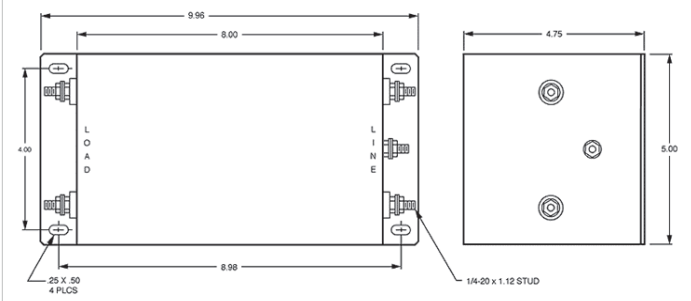
STUDS (20A)



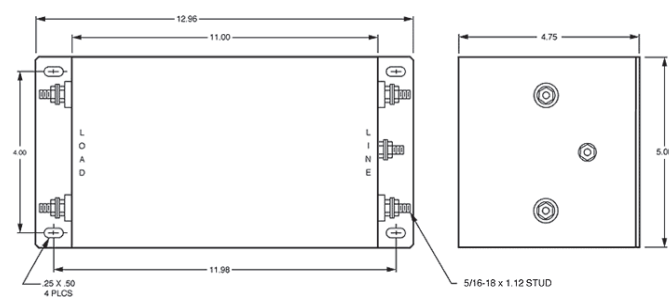
STUDS (40A)



STUDS (75A)



STUDS (100A)



TYPICAL TOLERANCE: +/-0.02" (0.50MM)

D2L

HIGH PERFORMANCE SEVERE ENVIRONMENT DC POWER FILTER

TYPICAL INSERTION LOSS, dB (50/50 Ohm)

Amps	Freq (MHz)	0.15	0.5	1.0	10	30
1	CM (dB)	55	60	54	62	67
	DM (dB)	55	60	51	58	62
2	CM (dB)	50	60	54	62	67
	DM (dB)	45	60	51	58	62
5	CM (dB)	50	60	54	62	67
	DM (dB)	45	60	51	58	62
10	CM (dB)	55	60	54	62	67
	DM (dB)	55	60	51	58	62
20	CM (dB)	55	60	54	62	67
	DM (dB)	55	60	51	58	62
40	CM (dB)	55	60	54	62	67
	DM (dB)	55	60	51	58	62
75	CM (dB)	55	60	54	62	67
	DM (dB)	55	60	51	58	62
100	CM (dB)	55	60	54	62	67
	DM (dB)	55	60	51	58	62

X-ON Electronics

Largest Supplier of Electrical and Electronic Components

Click to view similar products for [Power Line Filters](#) category:

Click to view products by [Astrodyne](#) manufacturer:

Other Similar products are found below :

[6609019-3](#) [6609026-5](#) [6609030-6](#) [6609973-2](#) [D30A](#) [7-1609090-5](#) [F2810](#) [F4456A](#) [F7382Z](#) [F7863Z](#) [FAHAV3100ZC000](#) [806276](#) [FN2020B-1-06](#) [FN2080B-10-06](#) [FN2410H-32-33](#) [FN2410H-80-34](#) [FP144](#) [FS4153-20-06](#) [FS4353-500-99](#) [12-MMB-030-11-D](#) [DB4-393](#) [15811T200](#) [20B1](#) [LC630](#) [2B1](#) [1609080-2](#) [1609993-8](#) [1-6609070-1](#) [F1100AA02](#) [F1150CC10](#) [F1500CA10](#) [F1500CA15](#) [F4041Z](#) [F7585E](#) [1B1](#) [FN2070A-16-06](#) [FN2090A-20-06](#) [FN2090B-12-06](#) [FN2090Z-1-06](#) [FN2410H-25-33](#) [FN2410H-60-34](#) [FN2410H-8-44](#) [FN2412H-8-44](#) [FN323B-6-01](#) [FN3258H-130-35](#) [FN610R-3-06](#) [20EHQ7](#) [20EHZ7](#) [20K1](#) [30B6](#)