

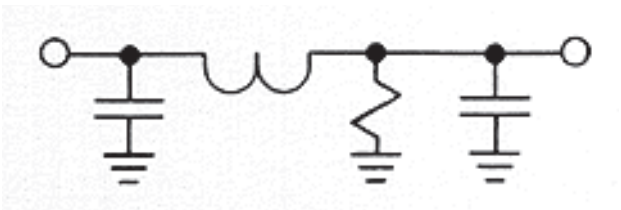
# DS

## HIGH PERFORMANCE DC POWER FILTER

### FEATURES

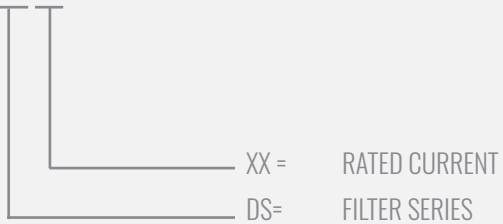
- » **Rated currents** include **100A**
- » Single Stage Line Filter
- » Provides effective attenuation in applications requiring DC power conversion
- » Available with **S** (studs) option
- » High Performance Design
- » Y-cap value can be adjusted to fit specification

### ELECTRICAL SCHEMATIC



### HOW TO ORDER

DS XX



**NOTE:** USE ANY COMBINATION OF -X (AMPS) WITH ANY -Y RATINGS  
E.G. **DS100**(100 AMPS)



### SPECIFICATIONS

**MAX. OPERATING VOLTAGE** 60VDC +10%  
**TERMINALS (-T)** STUDS: (100A)

**TYP. WEIGHT, LBS (KG)** 1.67 (0.75)

**LEAKAGE CURRENT**  
**@ 250 VAC 60 Hz** Contact Factory

**HIPOT RATINGS**  
**LINE TO GROUND** 150 VDC

### TYPICAL APPLICATIONS

- ✓ High power rectifiers
- ✓ Uninterrupted power supplies
- ✓ Inverters
- ✓ VFD
- ✓ PWM

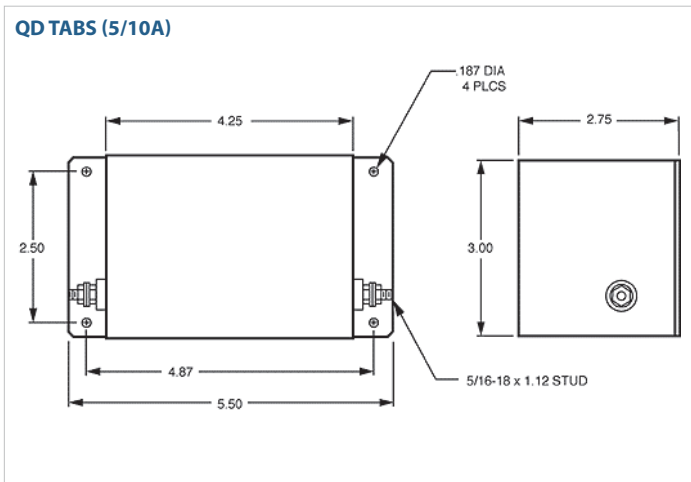
# DS

## HIGH PERFORMANCE DC POWER FILTER

MODEL NO.	RATED CURRENT (A) @ 40° C	Y-CAP, nF	LEAKAGE CURRENT, mA @ 250V AC, 60 Hz	TERMINAL OPTIONS			MAX. DIMENSIONS" (MM)		
				(QD) INPUT/ OUTPUT	(S) INPUT/ OUTPUT	(C) INPUT/ OUTPUT	WIDTH	(LENGTH)	HEIGHT
DS100	100	*	*		✓		3"	5.50"	2.75"

\*Contact factory for part data.

### DP MECHANICAL OUTLINES (MM)



TYPICAL TOLERANCE: +/-0.02" (0.50MM)

### TYPICAL INSERTION LOSS, dB (50/50 Ohm)

Amps	Freq (MHz)	0.15	0.5	1.0	10	30
100	CM (dB)	*	*	*	*	*
	DM (dB)	60	60	56	60	62

\*Contact factory for part data.

## X-ON Electronics

Largest Supplier of Electrical and Electronic Components

*Click to view similar products for [Power Line Filters](#) category:*

*Click to view products by [Astrodyne](#) manufacturer:*

Other Similar products are found below :

[6609019-3](#) [6609026-5](#) [6609030-6](#) [6609973-2](#) [D30A](#) [7-1609090-5](#) [F2810](#) [F4456A](#) [F7382Z](#) [F7863Z](#) [FAHAV3100ZC000](#) [806276](#) [FN2020B-1-06](#) [FN2080B-10-06](#) [FN2410H-32-33](#) [FN2410H-80-34](#) [FP144](#) [FS4153-20-06](#) [FS4353-500-99](#) [12-MMB-030-11-D](#) [DB4-393](#) [15811T200](#)  
[20B1](#) [LC630](#) [2B1](#) [1609080-2](#) [1609993-8](#) [1-6609070-1](#) [F1100AA02](#) [F1150CC10](#) [F1500CA10](#) [F1500CA15](#) [F4041Z](#) [F7585E](#) [1B1](#)  
[FN2070A-16-06](#) [FN2090A-20-06](#) [FN2090B-12-06](#) [FN2090Z-1-06](#) [FN2410H-25-33](#) [FN2410H-60-34](#) [FN2410H-8-44](#) [FN2412H-8-44](#)  
[FN323B-6-01](#) [FN610R-3-06](#) [20EHQ7](#) [20EHZ7](#) [20K1](#) [30B6](#) [3K1](#)