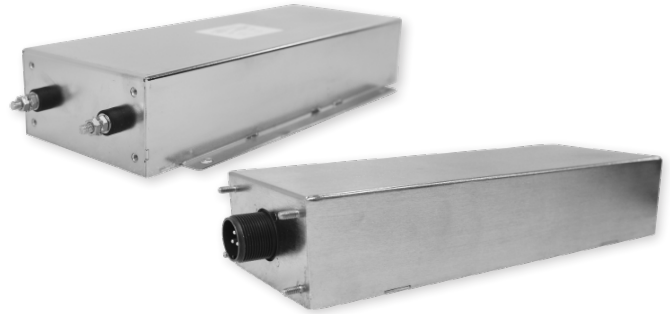


F 1928X

MIL/COTS AC AND DC EMI POWER LINE FILTERS

Astrodyne TDI's F1928 series EMI filters for MIL-STD-461 applications are ideal for testing products to determine the best EMI circuit application. Encapsulated assembly and mechanical constructions withstand the stringent environmental requirements and conditions of all air, sea and ground applications.



FEATURES

- » Quick Delivery Off-The-Shelf EMI Filters for MIL-STD-461 Applications
- » AC single and three-phase (Delta or Wye) applications
- » These filters meet the electrical requirements, including maximum leakage current, specified in MIL-STD-461
- » Designed to mitigate conducted emissions from 10KHZ to 30MHZ, while feed through (line to ground) capacitors incorporated in the filters maintain filter attenuation to 1GHZ and above when installed with additional shielding and isolation between input and output terminations
- » Easily customizable to meet your exact needs

SPECIFICATIONS

OPERATING FREQUENCY	50/60/400HZ
OPERATING CURRENT	5-30 A
MAX. OPERATING VOLTAGE	254/440 VAC +10%
AMBIENT TEMPERATURE	-25 TO 50° C
TYP. WEIGHT, LBS (KG)	16.0 KG (7.3 LBS)
TERMINALS (-T)	10-32 STUD(S)

Power line circuit breaker, MOV's (line to line and line to ground, for surge protection) and military connectors instead of screw terminals can be incorporated into the filter package upon request to comply with any system level I/O connections.

ADVANTAGES

- ✓ Full design, development and manufacturing capabilities
- ✓ Compliance to all military standards
- ✓ A team of expert engineers to create your ideal solution

HIPOT RATINGS

LINE TO GROUND	2200 VDC
-----------------------	----------

TYPICAL APPLICATIONS

- ✓ Shielded Facilities
- ✓ Military Applications

TYPICAL FILTER ATTENUATION PER MIL-STD-220

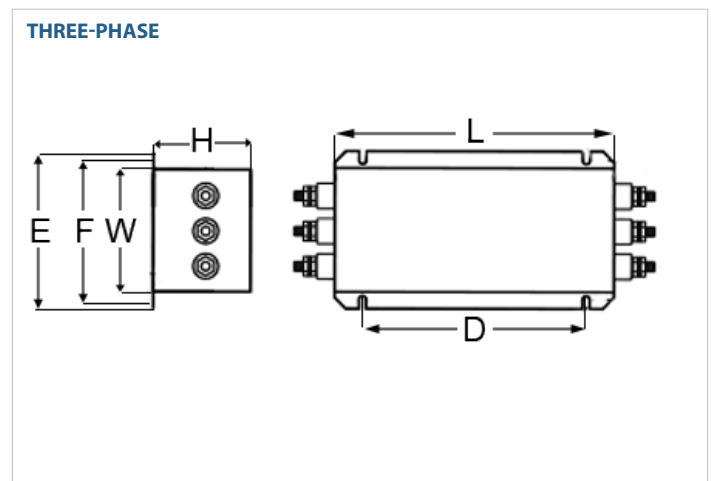
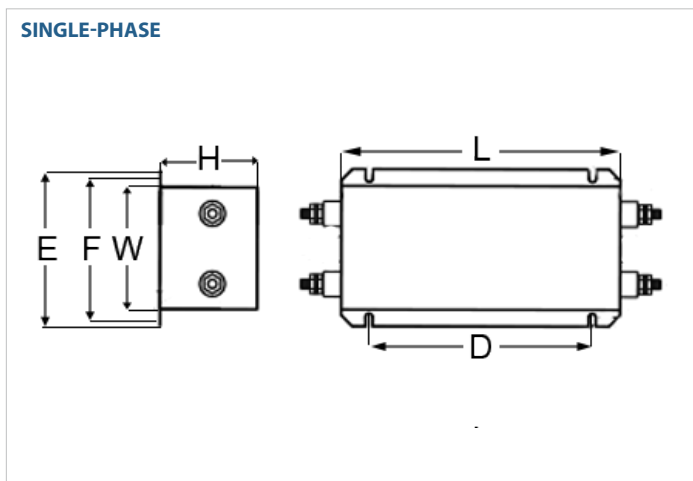
Freq (MHz)	0.01	0.03	0.05	0.10	1.0	10	30
CM (dB)	22	28	37	47	70	80	80
DM (dB)	10	21	32	50	50	70	80

F 1928X

MIL/COTS AC AND DC EMI POWER LINE FILTERS

MODEL NO.	RATED CURRENT	RATED VOLTAGE	FREQUENCY	DIMENSIONS (MM)					
				L	W	H	D	E	F
F19281-05	5	250VAC/400 VDC	0-400 Hz	6.50" (165)	3.00" (76.2)	2.50" (63.5)	5.00" (127)	4.00" (101.6)	3.50" (88.9)
F19281-15	15	250 VAC/400 VDC	0-400 Hz	6.50" (165)	3.00" (76.2)	2.50" (63.5)	5.00" (127)	4.00" (101.6)	3.50" (88.9)
F19281-30	30	250 VAC/400 VDC	0-400 Hz	6.50" (165)	3.00" (76.2)	2.50" (63.5)	5.00" (127)	4.00" (101.6)	3.50" (88.9)
F19282-05	5	120/208 VAC	50/60/400	8.00" (203)	3.50" (88.9)	2.50" (63.5)	6.50" (165)	4.50" (114.3)	4.00" (101.6)
F19282-15	15	120/208 VAC	50/60/400	8.00" (203)	3.50" (88.9)	2.50" (63.5)	6.50" (165)	4.50" (114.3)	4.00" (101.6)
F19282-30	30	120/208 VAC	50/60/400	8.00" (203)	4.50" (114.3)	3.00" (76.2)	6.50" (165)	5.50" (139.7)	5.00" (127)
F19283-05	5	254/440 VAC	50/60/400	8.00" (203)	4.50" (114.3)	3.00" (76.2)	6.50" (165)	5.50" (139.7)	5.00" (127)
F19283-15	15	254/440 VAC	50/60/400	8.00" (203)	4.50" (114.3)	3.00" (76.2)	6.50" (165)	5.50" (139.7)	5.00" (127)
F19283-30	30	254/440 VAC	50/60/400	8.00" (203)	4.50" (114.3)	3.00" (76.2)	6.50" (165)	5.50" (139.7)	5.00" (127)
F19284-05	5	254/440 VAC	50/60/400	8.50" (215.9)	4.50" (114.3)	3.00" (76.2)	6.50" (165)	5.50" (139.7)	5.00" (127)
F19284-15	15	254/440 VAC	50/60/400	8.50" (215.9)	4.50" (114.3)	3.00" (76.2)	6.50" (165)	5.50" (139.7)	5.00" (127)
F19284-30	30	254/440 VAC	50/60/400	8.50" (215.9)	4.50" (114.3)	3.00" (76.2)	6.50" (165)	5.50" (139.7)	5.00" (127)

F1928X MECHANICAL OUTLINES (MM)



X-ON Electronics

Largest Supplier of Electrical and Electronic Components

Click to view similar products for [Power Line Filters](#) category:

Click to view products by [Astrodyne](#) manufacturer:

Other Similar products are found below :

[6609019-3](#) [6609026-5](#) [6609030-6](#) [6609973-2](#) [D30A](#) [7-1609090-5](#) [F2810](#) [F4456A](#) [F7382Z](#) [F7863Z](#) [FAHAV3100ZC000](#) [806276](#) [FN2020B-1-06](#) [FN2080B-10-06](#) [FN2410H-32-33](#) [FN2410H-80-34](#) [FP144](#) [FS4153-20-06](#) [FS4353-500-99](#) [12-MMB-030-11-D](#) [DB4-393](#) [15811T200](#) [20B1](#) [LC630](#) [2B1](#) [1609080-2](#) [1609993-8](#) [1-6609070-1](#) [F1100AA02](#) [F1150CC10](#) [F1500CA10](#) [F1500CA15](#) [F4041Z](#) [F7585E](#) [1B1](#) [FN2070A-16-06](#) [FN2090A-20-06](#) [FN2090B-12-06](#) [FN2090Z-1-06](#) [FN2410H-25-33](#) [FN2410H-60-34](#) [FN2410H-8-44](#) [FN2412H-8-44](#) [FN323B-6-01](#) [FN3258H-130-35](#) [FN610R-3-06](#) [20EHQ7](#) [20EHZ7](#) [20K1](#) [30B6](#)