

092(M)

HIGH PERFORMANCE SINGLE PHASE DOUBLE STAGE (GENERAL PURPOSE & MEDICAL)

FEATURES

- » Rated currents include **1A, 3A, 4A, 6A, 7A, 8A, 10A, 15A, 16A, 20A, and 30A**
- » Double Stage
- » Available with quick disconnect tabs, wire leads and studs options
- » General Purpose & Low Leakage (M)edical options
- » High performance design
- » Easy to use and install
- » Agency Approved to *UL and EN 60939, CSA C22.2*
- » Y-cap value can be adjusted



SPECIFICATIONS

OPERATING FREQUENCY	50/60Hz
MAX. OPERATING VOLTAGE	250VAC +10%
CLIMATIC CATEGORY	25/85/21
TERMINALS (-T)	0.25" TABS
	W: WIRE LEADS
	S: STUDS (M4 - 1-20A)
	(M6 - 30A)

TYP. WEIGHT, LBS (KG) 0.28 (0.12)

TYPICAL LEAKAGE CURRENT 091

@ 250 VAC 50 Hz	0 - 0.89 mA Max.
@ 115 VAC 60 Hz	0 - 0.49 mA Max.

TYPICAL LEAKAGE CURRENT 091M

@ 250 VAC 50 Hz	0 - 10uA Max.
@ 115 VAC 60 Hz	0 - 5uA Max.

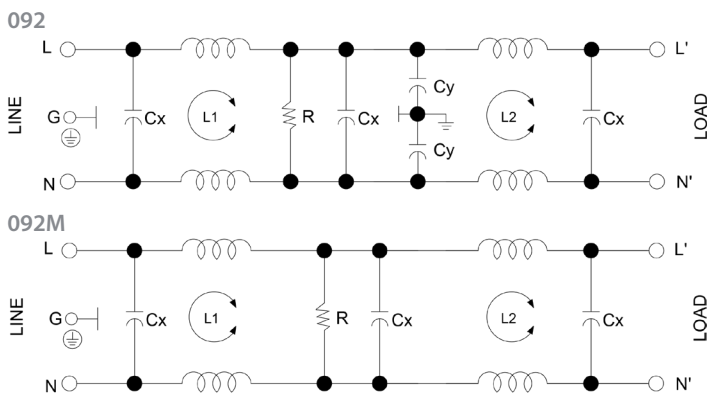
HIPOT RATINGS

LINE TO LINE	1450 VDC
LINE TO GROUND	2250 VDC

TYPICAL APPLICATIONS

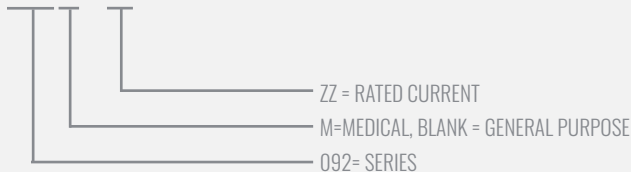
- ✓ Household appliances and equipment
- ✓ Small medical equipment
- ✓ Portable electrical and electronic equipment
- ✓ Test and measurement/lab equipment
- ✓ Rack mounted equipment

ELECTRICAL SCHEMATIC



HOW TO ORDER

092M.0ZZ21.00



NOTE: USE ANY COMBINATOR OF **M** AND **ZZ**
E.G. **092.00321.00** (3A GENERAL PURPOSE VERSION) | **092M.00321.00** (3A LOW LEAKAGE MEDICAL VERSION)

092(M)

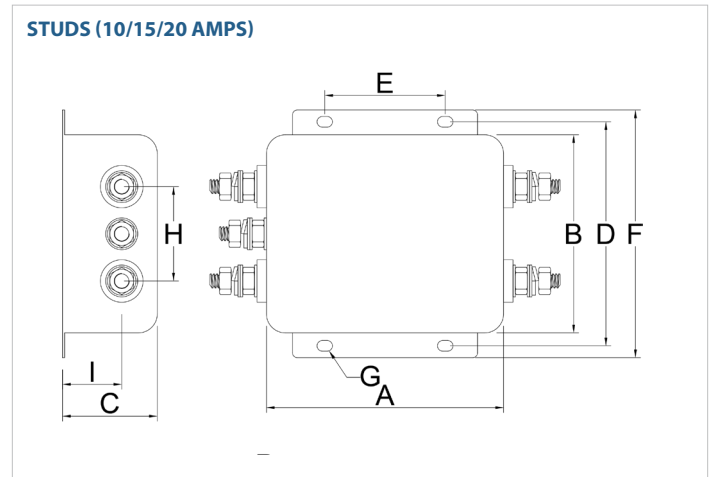
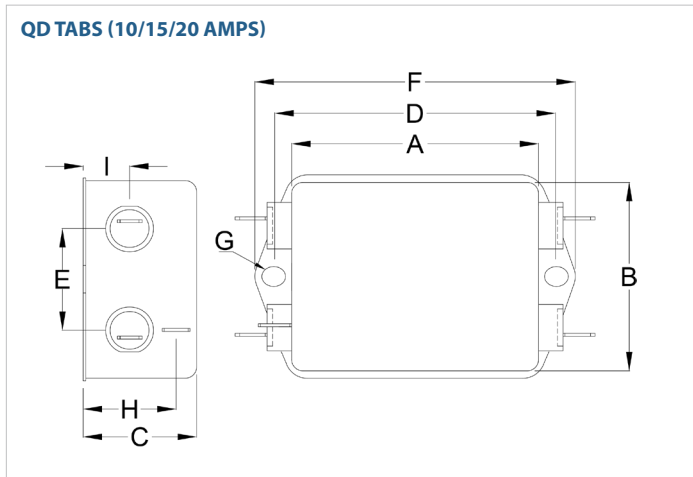
HIGH PERFORMANCE SINGLE PHASE DOUBLE STAGE (GENERAL PURPOSE & MEDICAL)

MODEL NO.	RATED CURRENT, A @ 40° C	TERMINAL OPTIONS			APPLICATION PURPOSE		MAX. DIMENSIONS" (MM)		
		(QD) INPUT/ OUTPUT	(W) INPUT/ OUTPUT	(S) INPUT/ OUTPUT	GENERAL	MEDICAL	WIDTH	(LENGTH)	HEIGHT
092.00121.00	1	✓	✓		✓		2.01"(51)	2.05"(52)	1.14"(29)
092.00321.00	3	✓	✓		✓		2.01"(51)	2.05"(52)	1.14"(29)
092.00423.00	4	✓	✓		✓		2.05"(52)	2.49"(63)	1.50"(38)
092.00623.00	6	✓	✓		✓		2.05"(52)	2.49"(63)	1.50"(38)
092.00721.00	7	✓	✓		✓		2.01"(51)	2.05"(52)	1.14"(29)
092.00823.00	8	✓	✓		✓		2.28"(58)	3.64"(93)	1.61"(41)
092.01021.00	10	✓	✓		✓		2.28"(58)	3.64"(93)	1.61"(41)
092.01023.00	10	✓	✓		✓		2.28"(58)	3.64"(93)	1.61"(41)
092.01521.00	15	✓	✓		✓		2.05"(52)	2.49"(63)	1.50"(38)
092.01623.00	16	✓	✓		✓		2.28"(58)	3.64"(93)	1.61"(41)
092.02021.00	20	✓	✓		✓		2.28"(58)	3.64"(93)	1.61"(41)
092.02023.00	20	✓	✓		✓		2.28"(58)	3.64"(93)	1.61"(41)
092.03021.00	30	✓	✓	✓	✓		2.28"(84)	3.64"(100)	1.61"(57)
092M.00121.00	1	✓	✓			✓	3.31"(84)	3.94"(100)	1.57"(40)
092M.00321.00	3	✓	✓			✓	3.31"(84)	3.94"(100)	1.57"(40)
092M.00721.00	7	✓	✓			✓	3.31"(84)	3.94"(100)	1.57"(40)
092M.01021.00	10	✓	✓			✓	3.31"(84)	3.94"(100)	1.57"(40)
092M.01521.00	15	✓	✓			✓	2.05"(52)	2.49"(63)	1.50"(38)
092M.02021.00	20	✓	✓			✓	3.31"(84)	3.94"(100)	1.57"(40)
092M.03021.00	20	✓	✓			✓	3.31"(84)	3.94"(100)	1.57"(40)

092(M)

HIGH PERFORMANCE SINGLE PHASE DOUBLE STAGE (GENERAL PURPOSE & MEDICAL)

092(M) MECHANICAL OUTLINES (MM)



SERIES	(A)	B	C	D	E	F	G	H	I
QD TABS (1/3/7 A)	2.05" (52)	2.01" (51)	1.14" (29)	2.40" (61)	0.79" (20)	2.80" (71)	2-5.3*6.3	0.87" (22)	0.55" (14)
QD TABS (4/6/15 A)	2.49" (63)	2.05" (52)	1.50" (38)	2.95" (75)	0.98" (25)	3.35" (85)	2*4.8	1.08" (28)	0.48" (12)
QD TABS (8/10/16/20 A)	3.64" (93)	2.28" (58)	1.61" (41)	4.13" (105)	1.18" (30)	4.53" (115)	2-5.3*6.3	1.14" (29)	0.51" (13)
QD TABS (10 A)	2.56" (65)	2.17" (55)	1.18" (30)	2.95" (75)	1.06" (27)	3.35" (85)	2-5.3*6.3	0.77" (20)	0.48" (12)
STUDS (30 A)	3.64" (100)	2.28" (84)	1.61" (57)	4.13" (95)	1.18" (51)	4.53" (105)	4-4.5*6.5	1.14" (44)	0.51" (37)

TYPICAL TOLERANCE: +/-0.02" (0.50MM)

TYPICAL INSERTION LOSS, dB (50/50 Ohm)

092 INSERTION LOSS

Amps	Freq (MHz)	0.15	0.5	1	10	30
1	CM (dB)	80.0	80.0	80.0	78.0	65.0
	DM (dB)	20.0	70.0	50.0	70.0	60.0
3	CM (dB)	55.0	80.0	76.0	55.0	45.0
	DM (dB)	20.0	70.0	50.0	70.0	60.0

092(M)

HIGH PERFORMANCE SINGLE PHASE DOUBLE STAGE (GENERAL PURPOSE & MEDICAL)

Amps	Freq (MHz)	0.15					0.5					1					10					30				
		CM (dB)	DM (dB)	CM (dB)	DM (dB)	CM (dB)	DM (dB)	CM (dB)	DM (dB)	CM (dB)	DM (dB)	CM (dB)	DM (dB)	CM (dB)	DM (dB)	CM (dB)	DM (dB)	CM (dB)	DM (dB)							
7	CM (dB)	45.0	70.0	80.0	60.0	60.0																				
	DM (dB)	20.0	70.0	50.0	70.0	60.0																				
10	CM (dB)	30.0	65.0	79.0	66.0	57.0																				
	DM (dB)	23.0	45.0	60.0	55.0	60.0																				
15	CM (dB)	20.0	55.0	70.0	80.0	70.0																				
	DM (dB)	23.0	45.0	50.0	55.0	60.0																				
20	CM (dB)	20.0	55.0	70.0	80.0	62.0																				
	DM (dB)	30.0	60.0	65.0	72.0	60.0																				
30	CM (dB)	20.0	55.0	70.0	80.0	43.0																				
	DM (dB)	30.0	50.0	65.0	75.0	60.0																				

092M INSERTION LOSS

Amps	Freq (MHz)	0.15					0.5					1					10					30				
		CM (dB)	DM (dB)	CM (dB)	DM (dB)	CM (dB)	DM (dB)	CM (dB)	DM (dB)	CM (dB)	DM (dB)	CM (dB)	DM (dB)	CM (dB)	DM (dB)	CM (dB)	DM (dB)	CM (dB)	DM (dB)							
1	CM (dB)	60.0	60.0	70.0	60.0	55.0																				
	DM (dB)	20.0	70.0	50.0	70.0	60.0																				
3	CM (dB)	50.0	50.0	60.0	50.0	45.0																				
	DM (dB)	20.0	70.0	50.0	70.0	60.0																				
7	CM (dB)	40.0	40.0	60.0	45.0	40.0																				
	DM (dB)	20.0	70.0	50.0	70.0	60.0																				
10	CM (dB)	20.0	40.0	60.0	50.0	45.0																				
	DM (dB)	23.0	45.0	60.0	55.0	60.0																				
15	CM (dB)	20.0	40.0	60.0	50.0	45.0																				
	DM (dB)	23.0	45.0	50.0	55.0	65.0																				
20	CM (dB)	20.0	40.0	50.0	42.0	40.0																				
	DM (dB)	30.0	60.0	65.0	72.0	60.0																				
30	CM (dB)	20.0	40.0	50.0	45.0	40.0																				
	DM (dB)	30.0	50.0	65.0	75.0	60.0																				

X-ON Electronics

Largest Supplier of Electrical and Electronic Components

Click to view similar products for [Power Line Filters](#) category:

Click to view products by [Astrodyne](#) manufacturer:

Other Similar products are found below :

[6609019-3](#) [6609026-5](#) [6609030-6](#) [6609973-2](#) [D30A](#) [7-1609090-5](#) [F2810](#) [F4456A](#) [F7382Z](#) [F7863Z](#) [FAHAV3100ZC000](#) [806276](#) [FN2020B-1-06](#) [FN2080B-10-06](#) [FN2410H-32-33](#) [FN2410H-80-34](#) [FP144](#) [FS4153-20-06](#) [FS4353-500-99](#) [12-MMB-030-11-D](#) [DB4-393](#) [15811T200](#) [20B1](#) [LC630](#) [2B1](#) [1609080-2](#) [1609993-8](#) [1-6609070-1](#) [F1100AA02](#) [F1150CC10](#) [F1500CA10](#) [F1500CA15](#) [F4041Z](#) [F7585E](#) [1B1](#) [FN2070A-16-06](#) [FN2090A-20-06](#) [FN2090B-12-06](#) [FN2090Z-1-06](#) [FN2410H-25-33](#) [FN2410H-60-34](#) [FN2410H-8-44](#) [FN2412H-8-44](#) [FN323B-6-01](#) [FN3258H-130-35](#) [FN610R-3-06](#) [20EHQ7](#) [20EHZ7](#) [20K1](#) [30B6](#)