

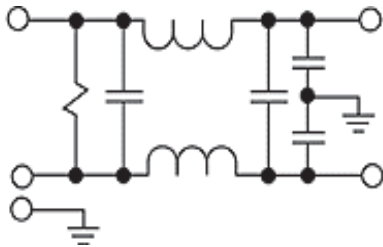
LF

HIGH PERFORMANCE LOW LEAKAGE SWITCH MODE EMI FILTER

FEATURES

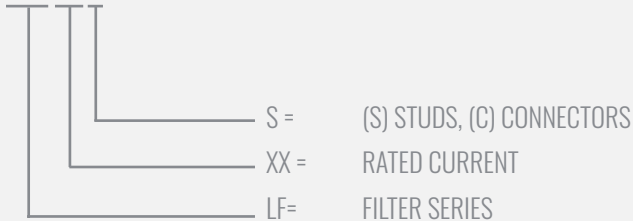
- » **Rated currents** include **2A, 3A, 5A, 7.5A, 10A, 15A, 20A and 40A**
- » Multi-Stage Line Filter
- » Available with **QD** (tabs), **S** (studs) and **C** (connectors) option
- » Low Profile & IEC Connector
- » Agency Approvals UL E78081, CSA LR53652 and TUV
- » Y-cap value can be adjusted to fit specification

ELECTRICAL SCHEMATIC

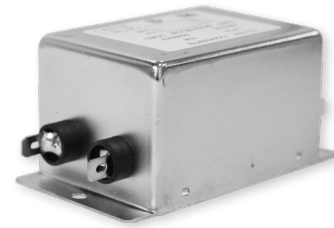


HOW TO ORDER

LF XX S



NOTE: USE ANY COMBINATION OF -X (AMPS) WITH ANY -Y RATINGS
E.G. **LF3 S**(3 AMPS, STUDS)



SPECIFICATIONS

OPERATING FREQUENCY 50/60Hz
MAX. OPERATING VOLTAGE 250VAC +10%
TERMINALS (-T) QD: 0.25 TABS
STUDS: 8-32 (3-20A)

TYP. WEIGHT, LBS (KG) 0.26 - 2.1 (0.11 - 0.95)

LEAKAGE CURRENT

@ 250 VAC 60 Hz 0 - 1.6 mA Max.

HIPOT RATINGS

LINE TO GROUND 2200 VDC - 2700 VDC

TYPICAL APPLICATIONS

- ✓ Household Appliances
- ✓ Industrial Equipment
- ✓ Power Supplies
- ✓ Consumer Electronics
- ✓ Office Automation Equipment
- ✓ Data Processing Systems

LF

HIGH PERFORMANCE LOW LEAKAGE SWITCH MODE EMI FILTER

MODEL NO.	RATED CURRENT (A) @ 40° C	Y-CAP, nF	LEAKAGE CURRENT, mA @ 250V AC, 60 Hz	TERMINAL OPTIONS			MAX. DIMENSIONS" (MM)		
				(QD) INPUT/ OUTPUT	(S) INPUT/ OUTPUT	(C) INPUT/ OUTPUT	WIDTH	(LENGTH)	HEIGHT
LF2C	2	2x.0033µF	.45			✓	2.03"	3.1"	1.18"
LF2	2	2x.0033µF	.45	✓			1.78"	3.04"	0.87"
LF3C	3	2x.0033µF	.45			✓	2.03"	3.1"	1.5"
LF3	3	2x.0033µF	.45	✓			2.03"	3.2"	1.25"
LF3 S	3	2x.0033µF	.45		✓		2.03"	3.26"	1.25"
LF3BC S	3	2x.0068µF	.9			✓	*	*	*
LF5C	5	2x.0033µF	.45			✓	2.03"	3.1"	1.5"
LF5	5	2x.0033µF	.45	✓			2.03"	3.7"	1.5"
LF5B	5	2x.0068µF	.9	✓			2.03"	3.7"	1.5"
LF5B	5	2x.0068µF	.9	✓			2.03"	3.7"	1.5"
LF7C	7.5	2x.0033µF	.45			✓	2.15"	3.47"	1.75"
LF7	7.5	2x.0033µF	.45	✓			2.03"	3.7"	1.5"
LF7 S	7.5	2x.0033µF	.45		✓		2.03"	3.76"	1.5"
LF10	10	2x.0033µF	.45	✓			2.15"	4.07"	1.78"
LF10B	10	2x.0068µF	.9	✓			2.15"	4.07"	1.78"
LF10B S03	10	*	.45		✓		*	*	*
LF15	15	2x.0033µF	.45	✓			2.91"	4.26"	2"
LF15 S	15	2x.0033µF	.45		✓		2.91"	4.32"	2"
LF15B	15	2x.0068µF	.9	✓			2.91"	4.26"	2"
LF20	20	2x.0047µF	.80		✓		4.12"	5.17"	1.5"
LF20B S02	20	2x.01µF	1.60		✓		*	*	*
LF40 L	40	*	1.4	*	*	*	*	*	*

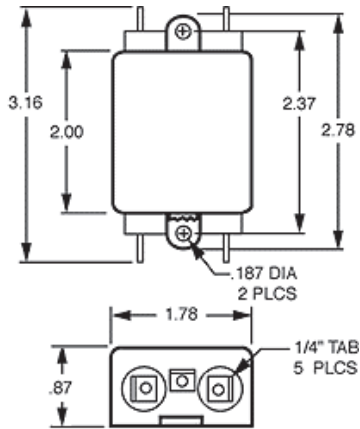
*Contact factory for part data.

LF

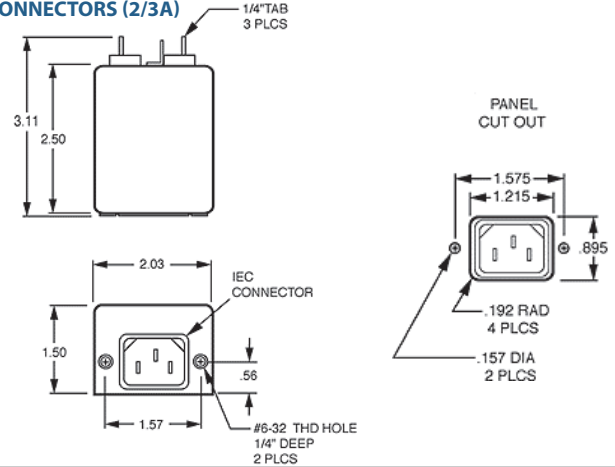
HIGH PERFORMANCE LOW LEAKAGE SWITCH MODE EMI FILTER

LF MECHANICAL OUTLINES (MM)

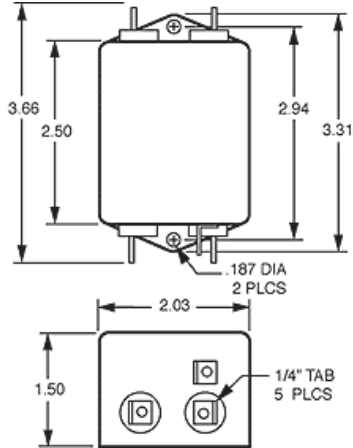
QD TABS (2/3A)



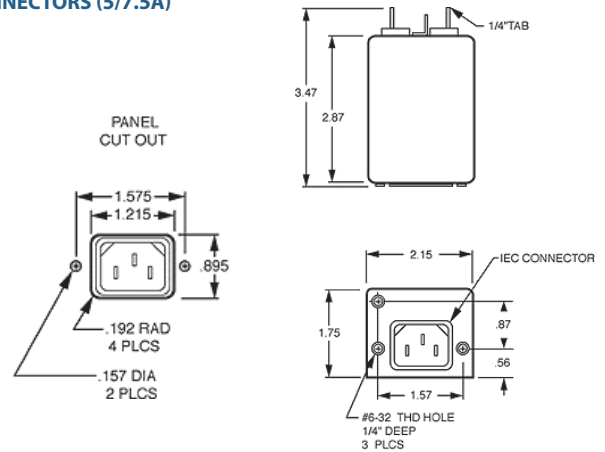
CONNECTORS (2/3A)



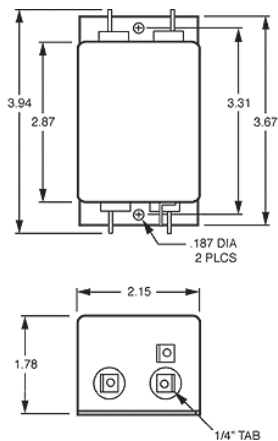
QD TABS (5/7.5A)



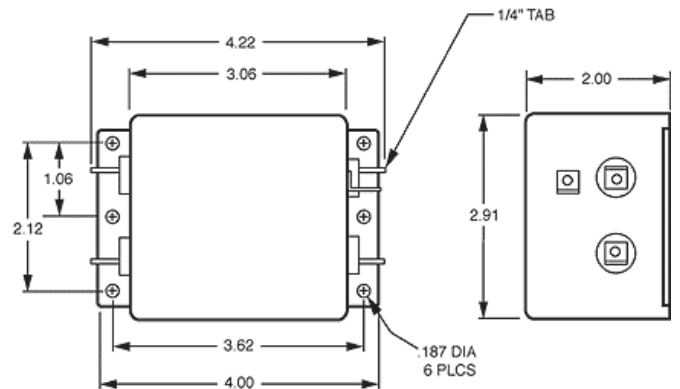
CONNECTORS (5/7.5A)



QD TABS (10A)

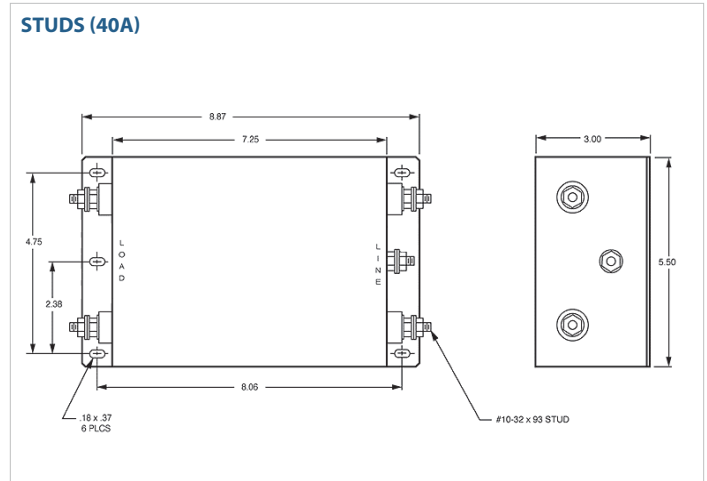
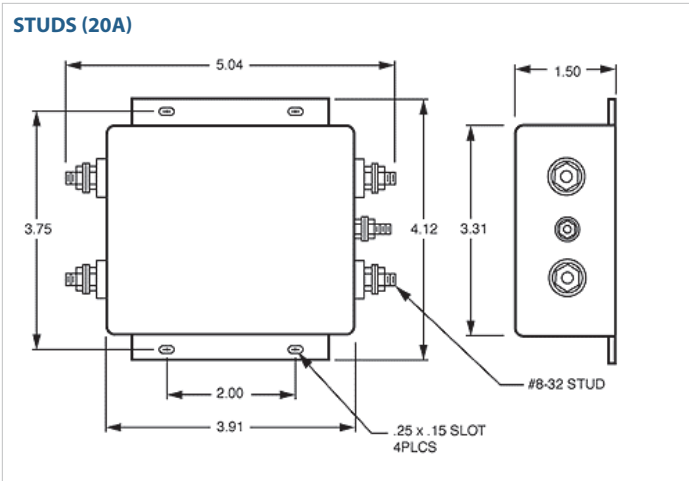


QD TABS (15A)



LF

HIGH PERFORMANCE LOW LEAKAGE SWITCH MODE EMI FILTER



TYPICAL TOLERANCE: +/-0.02" (0.50MM)

TYPICAL INSERTION LOSS, dB (50/50 Ohm)

Amps	Freq (MHz)	0.15	0.5	1.0	10	30
2	CM (dB)	32	60	48	66	75
	DM (dB)	30	42	41	53	59
3	CM (dB)	32	60	48	66	75
	DM (dB)	30	42	41	53	59
5	CM (dB)	34	60	48	66	75
	DM (dB)	30	42	41	53	59
7.5	CM (dB)	34	60	48	66	75
	DM (dB)	30	42	41	53	59
10	CM (dB)	34	60	48	66	75
	DM (dB)	30	42	41	53	59
15	CM (dB)	50	60	48	66	75
	DM (dB)	30	42	41	53	59
20	CM (dB)	50	60	48	66	75
	DM (dB)	30	42	41	53	59
40	CM (dB)	40	60	48	66	75
	DM (dB)	30	42	41	53	59

X-ON Electronics

Largest Supplier of Electrical and Electronic Components

Click to view similar products for [Power Line Filters](#) category:

Click to view products by [Astrodyne](#) manufacturer:

Other Similar products are found below :

[6609019-3](#) [6609026-5](#) [6609030-6](#) [6609973-2](#) [D30A](#) [7-1609090-5](#) [F2810](#) [F4456A](#) [F7382Z](#) [F7863Z](#) [FAHAV3100ZC000](#) [806276](#) [FN2020B-1-06](#) [FN2080B-10-06](#) [FN2410H-32-33](#) [FN2410H-80-34](#) [FP144](#) [FS4153-20-06](#) [FS4353-500-99](#) [12-MMB-030-11-D](#) [DB4-393](#) [15811T200](#)
[20B1](#) [LC630](#) [2B1](#) [1609080-2](#) [1609993-8](#) [1-6609070-1](#) [F1100AA02](#) [F1150CC10](#) [F1500CA10](#) [F1500CA15](#) [F4041Z](#) [F7585E](#) [1B1](#)
[FN2070A-16-06](#) [FN2090A-20-06](#) [FN2090B-12-06](#) [FN2090Z-1-06](#) [FN2410H-25-33](#) [FN2410H-60-34](#) [FN2410H-8-44](#) [FN2412H-8-44](#)
[FN323B-6-01](#) [FN610R-3-06](#) [20EHQ7](#) [20EHZ7](#) [20K1](#) [30B6](#) [3K1](#)