

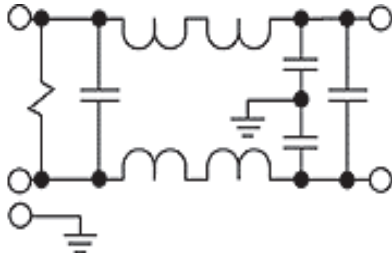
LX

ENHANCED PERFORMANCE LOW LEAKAGE SWITCH MODE EMI FILTER

FEATURES

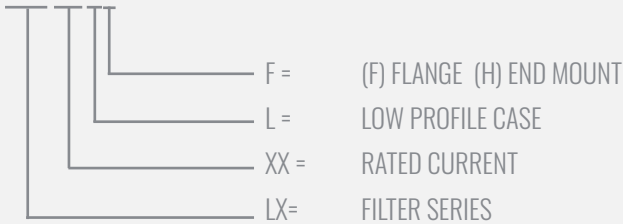
- » Rated currents include **1.5A, 3A, 2.2A, 5A, 10A, 12A, 16A and 30A**
- » Available with **QD** (tabs), **S** (studs) and **C** (connectors) option
- » End Mount Case Low Profile, Connector & Flange Mount Available
- » Agency Approved to UL E78081, CSA LR53652, TUV
- » Y-cap value can be adjusted to fit specification

ELECTRICAL SCHEMATIC

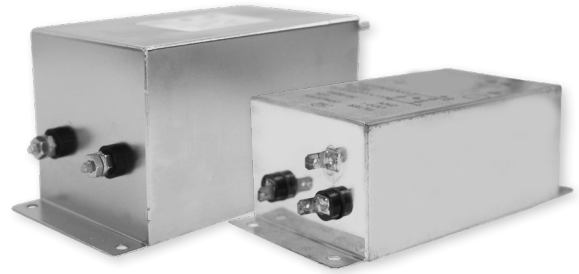


HOW TO ORDER

LX XX LF



NOTE: USE ANY COMBINATION OF -X (AMPS) WITH ANY -Y RATINGS
E.G. **LX24 LF**(24 AMPS, LOW PROFILE CASE, FLANGE MOUNT)



SPECIFICATIONS

OPERATING FREQUENCY	50/60Hz
MAX. OPERATING VOLTAGE	250VAC +10%
TERMINALS (-T)	QD: 0.25 TABS STUDS: 8-32 (1-5A), 10-32(10-30A)
TYP. WEIGHT, LBS (KG)	0.61 - 12.8 (0.27 - 5.80)
<hr/>	
LEAKAGE CURRENT	
@ 250 VAC 60 Hz	0 - 3.6 mA Max.
<hr/>	
HIPOT RATINGS	
LINE TO GROUND	2200 VDC - 2700 VDC

TYPICAL APPLICATIONS

- ✓ Household Appliances
- ✓ Industrial Equipment
- ✓ Power Supplies
- ✓ Consumer Electronics
- ✓ Office Automation Equipment
- ✓ Data Processing Systems

LX

ENHANCED PERFORMANCE LOW LEAKAGE SWITCH MODE EMI

MODEL NO.	RATED CURRENT (A) @ 40° C	Y-CAP, nF	LEAKAGE CURRENT, mA @ 250V AC, 60 Hz	TERMINAL OPTIONS			MAX. DIMENSIONS" (MM)		
				(QD) INPUT/ OUTPUT	(S) INPUT/ OUTPUT	(C) INPUT/ OUTPUT	WIDTH	(LENGTH)	HEIGHT
LX1C	1.5	2x.0033µF	.45			✓	2.03"	3.1"	1.5"
LX1	1.5	2x.0033µF	.45	✓			2.03"	3.2"	1.25"
LX3C	3	2x.0033µF	.45			✓	2.15"	3.47"	1.75"
LX3	3	2x.0033µF	.45	✓			2.03"	3.7"	1.5"
LX6	6	2x.0033µF	.45	✓			2.91"	4.26"	2"
LX6L	6	2x.0033µF	.45	✓			2"	6.44"	1.5"
LX6 S	6	2x.0033µF	.45		✓		2.91"	4.32"	2"
LX10	10	2x.00033µF/2x .0047µF	.80	✓			2.75"	6.45"	2"
LX10L S	10	2x.00033µF/2x .0047µF	.80	✓			2.75"	6.45"	2"
LX15 F	15	2x.0068µF	1.5		✓		3"	6.26"	3"
LX15 H	15	2x.0068µF	1.5		✓		3"	6.26"	3"
LX15	15	*	1.5	*	*	*	*	*	*
LX20B H	20	2x.0001µF/2x .022µF	3.0		✓		3"	8.26"	3"
LX20 F	20	2x.001µF/2x .010µF	1.5		✓		3"	8.26"	3"
LX20 H	20	2x.001µF/2x .010µF	1.5		✓		3"	8.26"	3"
LX20B F	20	2x.001µF/2x .022µF	3.0		✓		3"	8.26"	3"
LX20	20	*	1.5	*	*	*	*	*	*
LX24 LF	24	2x.001µF/2x .010µF	1.5		✓		4.25"	11.11"	2.25"
LX24 LH	24	2x.001µF/2x .010µF	1.5		✓		4.25"	11.11"	2.25"
LX30	30	*	1.5	*	*	*	*	*	*
LX45	45	*	1.5	*	*	*	*	*	*

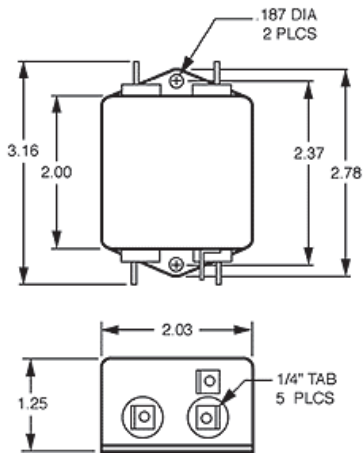
*Contact factory for part data.

LX

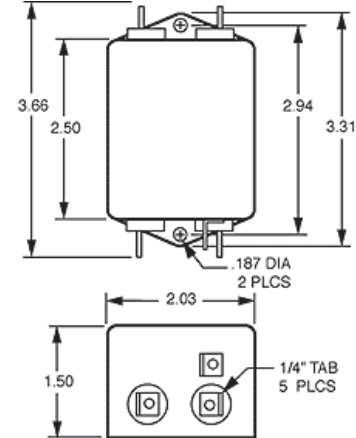
ENHANCED PERFORMANCE LOW LEAKAGE SWITCH MODE

LX MECHANICAL OUTLINES (MM)

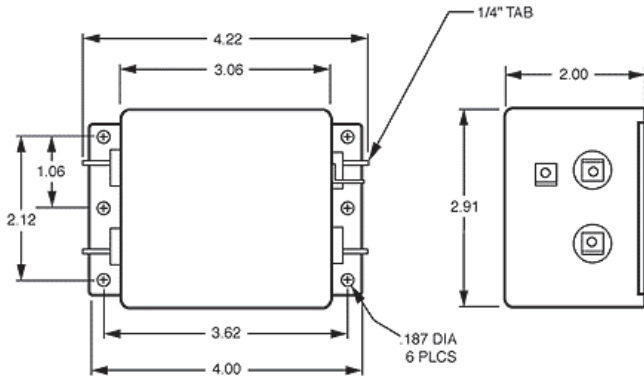
QD TABS (1A)



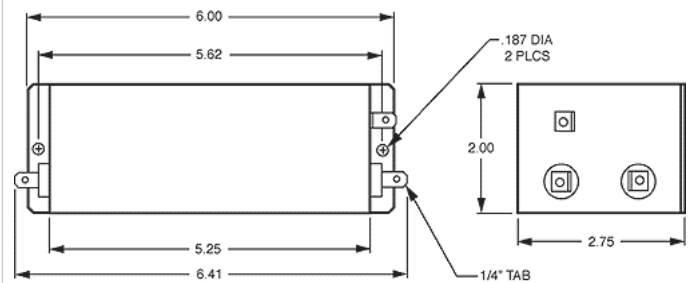
QD TABS (3A)



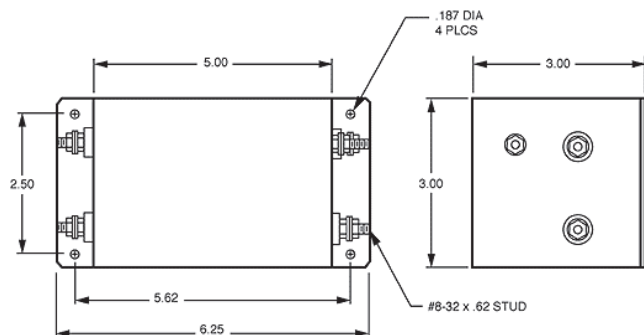
QD TABS (6A)



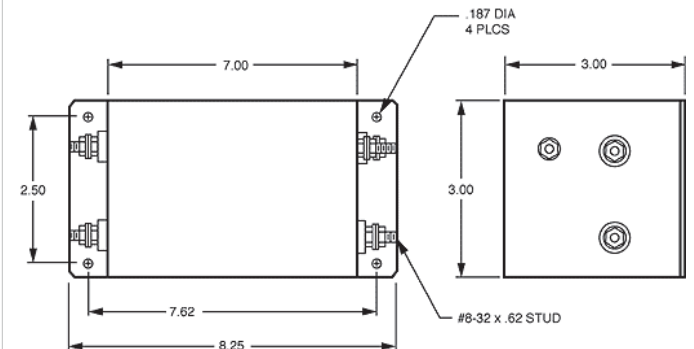
QD TABS (10A)



QD TABS (15A)



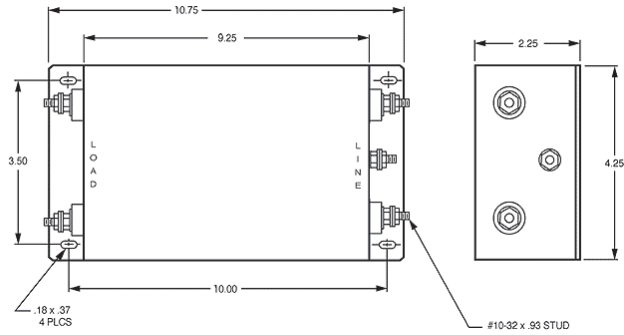
QD TABS (20A)



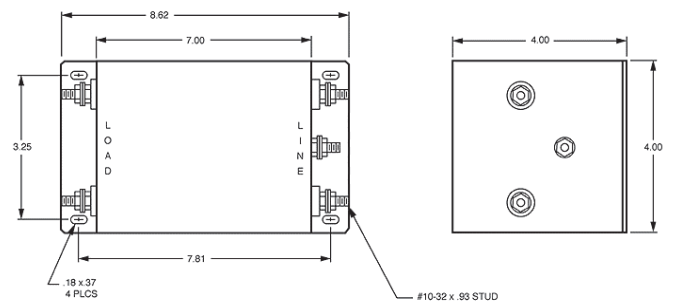
LX

ENHANCED PERFORMANCE LOW LEAKAGE SWITCH MODE EMI

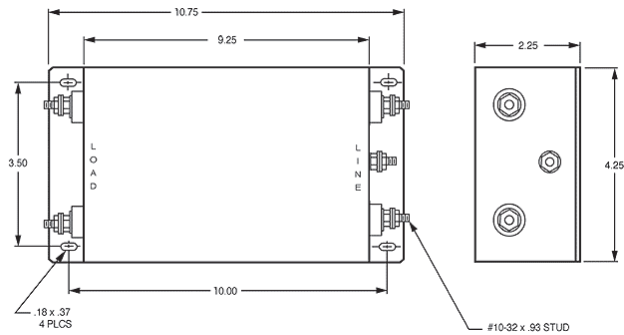
QD TABS (24A)



QD TABS (30A)



QD TABS (45A)



TYPICAL TOLERANCE: +/-0.02" (0.50MM)

LX

ENHANCED PERFORMANCE LOW LEAKAGE SWITCH MODE EMI

TYPICAL INSERTION LOSS, dB (50/50 Ohm)

Amps	Freq (MHz)	0.15	0.5	1.0	10	30
1	CM (dB)	65	65	61	65	67
	DM (dB)	42	50	46	52	56
2	CM (dB)	65	65	61	65	67
	DM (dB)	42	50	46	52	56
2.5	CM (dB)	65	65	61	65	67
	DM (dB)	42	50	46	52	56
5	CM (dB)	65	65	61	65	67
	DM (dB)	42	50	46	52	56
10	CM (dB)	65	65	61	65	67
	DM (dB)	42	50	46	52	56
12	CM (dB)	65	65	61	65	67
	DM (dB)	42	50	46	52	56
16	CM (dB)	65	65	61	65	67
	DM (dB)	42	50	46	52	56
30	CM (dB)	65	65	61	65	67
	DM (dB)	42	50	46	52	56

X-ON Electronics

Largest Supplier of Electrical and Electronic Components

Click to view similar products for [Power Line Filters](#) category:

Click to view products by [Astrodyne](#) manufacturer:

Other Similar products are found below :

[6609019-3](#) [6609026-5](#) [6609030-6](#) [6609973-2](#) [D30A](#) [7-1609090-5](#) [F2810](#) [F4456A](#) [F7382Z](#) [F7863Z](#) [FAHAV3100ZC000](#) [806276](#) [FN2020B-1-06](#) [FN2080B-10-06](#) [FN2410H-32-33](#) [FN2410H-80-34](#) [FP144](#) [FS4153-20-06](#) [FS4353-500-99](#) [12-MMB-030-11-D](#) [DB4-393](#) [15811T200](#)
[20B1](#) [LC630](#) [2B1](#) [1609080-2](#) [1609993-8](#) [1-6609070-1](#) [F1100AA02](#) [F1150CC10](#) [F1500CA10](#) [F1500CA15](#) [F4041Z](#) [F7585E](#) [1B1](#)
[FN2070A-16-06](#) [FN2090A-20-06](#) [FN2090B-12-06](#) [FN2090Z-1-06](#) [FN2410H-25-33](#) [FN2410H-60-34](#) [FN2410H-8-44](#) [FN2412H-8-44](#)
[FN323B-6-01](#) [FN610R-3-06](#) [20EHQ7](#) [20EHZ7](#) [20K1](#) [30B6](#) [3K1](#)