

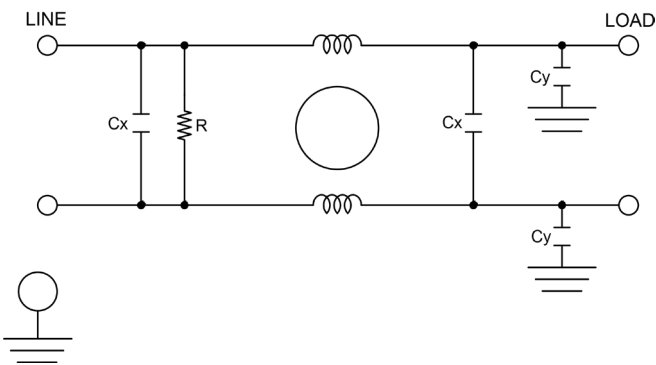
RP125

HIGH PERFORMANCE SINGLE STAGE POWER LINE FILTERS

FEATURES

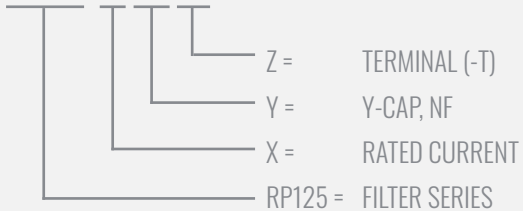
- » Rated currents include **30A, 35A, 45A, 60A, and 80A**
- » Single Stage Line Filter
- » Available with **W** (wireleads), **S** (studs), and **C** (connectors) option
- » High Performance
- » Agency Approved to UL1283/60929, CSA C22.2, EN 60939
- » Y-cap value can be adjusted to fit specifications

ELECTRICAL SCHEMATIC



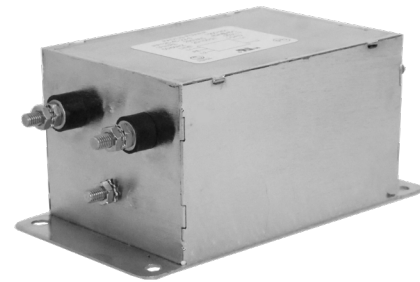
HOW TO ORDER

RP125- X - Y - Z



NOTE: USE ANY COMBINATION OF -X (AMPS) WITH ANY -Y RATINGS
E.G. **RP125-80-1-S** (80AMPS WITH 1 NF YCAP)

For **X, Y** and **Z** options see product specification table.



SPECIFICATIONS

OPERATING FREQUENCY	50/60Hz
USABLE FREQUENCY	DC - 400 Hz
MAX. OPERATING VOLTAGE	250V +10%
AMBIENT TEMPERATURE	-25 TO 40°C
CLIMATIC CATEGORY	25/100/21
TERMINALS (-T)	WIRE LEADS S: 30/35 A (M4), 45 A (M5), 60/80 A (M6) CONNECTORS
TYP. WEIGHT, LBS (KG)	2.3 (1.0)

TYPICAL LEAKAGE CURRENT

@ 250 VAC 50 Hz	0 - 15.70 mA Max.
@ 120 VAC 60 Hz	0 - 9.04 mA Max.

HIPOT RATINGS

LINE TO GROUND	2700 VDC
----------------	----------

TYPICAL APPLICATIONS

- ✓ Household Appliances
- ✓ Industrial Equipment
- ✓ Medical Devices
- ✓ Communication systems
- ✓ Consumer Electronics
- ✓ Office Automation Devices
- ✓ Data Processing Systems

RP125

HIGH PERFORMANCE SINGLE STAGE POWER LINE FILTERS

MODEL NO.	RATED CURRENT, A @ 40° C	Y-CAP, nF	LEAKAGE CURRENT, mA @ 250V AC, 50 Hz / @ 120V AC, 60 Hz		TERMINAL OPTIONS			MAX. DIMENSIONS" (MM)		
					(W) INPUT/ OUTPUT	(S) INPUT/ OUTPUT	(C) INPUT/ OUTPUT	WIDTH	(LENGTH)	HEIGHT
RP125-30-0-C	30	0	-	-			✓	2.28" (58)	5.59" (142)	1.81" (46)
RP125-30-0-S	30	0	-	-		✓		2.28" (58)	5.00" (127)	1.81" (46)
RP125-30-0-W	30	0	-	-	✓			*	*	*
RP125-30-47-C	30	0.47	0.07	0.04			✓	2.28" (58)	5.59" (142)	1.81" (46)
RP125-30-47-S	30	0.47	0.07	0.04		✓		2.28" (58)	5.00" (127)	1.81" (46)
RP125-30-47-W	30	0.47	0.07	0.04	✓			*	*	*
RP125-30-1-C	30	1	0.15	0.09			✓	2.28" (58)	5.59" (142)	1.81" (46)
RP125-30-1-S	30	1	0.15	0.09		✓		2.28" (58)	5.00" (127)	1.81" (46)
RP125-30-1-W	30	1	0.15	0.09	✓			*	*	*
RP125-30-2.2-C	30	2.2	0.34	0.19			✓	2.28" (58)	5.59" (142)	1.81" (46)
RP125-30-2.2-S	30	2.2	0.34	0.19		✓		2.28" (58)	5.00" (127)	1.81" (46)
RP125-30-2.2-W	30	2.2	0.34	0.19	✓			*	*	*
RP125-30-4.7-C	30	4.7	0.73	0.42			✓	2.28" (58)	5.59" (142)	1.81" (46)
RP125-30-4.7-S	30	4.7	0.73	0.42		✓		2.28" (58)	5.00" (127)	1.81" (46)
RP125-30-4.7-W	30	4.7	0.73	0.42	✓			*	*	*
RP125-30-10-C	30	10	1.57	0.90			✓	2.28" (58)	5.59" (142)	1.81" (46)
RP125-30-10-S	30	10	1.57	0.90		✓		2.28" (58)	5.00" (127)	1.81" (46)
RP125-30-10-W	30	10	1.57	0.90	✓			*	*	*
RP125-30-22-C	30	22	3.45	1.99			✓	2.28" (58)	5.59" (142)	1.81" (46)
RP125-30-22-S	30	22	3.45	1.99		✓		2.28" (58)	5.00" (127)	1.81" (46)
RP125-30-22-W	30	22	3.45	1.99	✓			*	*	*
RP125-30-100-C	30	100	15.70	9.04			✓	2.28" (58)	5.59" (142)	1.81" (46)
RP125-30-100-S	30	100	15.70	9.04		✓		2.28" (58)	5.00" (127)	1.81" (46)
RP125-30-100-W	30	100	15.70	9.04	✓			*	*	*
RP125-35-0-C	35	0	-	-			✓	*	*	*
RP125-35-0-S	35	0	-	-		✓		2.92" (74.2)	4.42" (112.25)	2" (50.8)
RP125-35-0-W	35	0	-	-	✓			*	*	*
RP125-35-47-C	35	0.47	0.07	0.04			✓	*	*	*
RP125-35-47-S	35	0.47	0.07	0.04		✓		2.92" (74.2)	4.42" (112.25)	2" (50.8)
RP125-35-47-W	35	0.47	0.07	0.04	✓			*	*	*
RP125-35-1-C	35	1	0.15	0.09			✓	*	*	*
RP125-35-1-S	35	1	0.15	0.09		✓		2.92" (74.2)	4.42" (112.25)	2" (50.8)
RP125-35-1-W	35	1	0.15	0.09	✓			*	*	*
RP125-35-2.2-C	35	2.2	0.34	0.19			✓	*	*	*

ADDITIONAL MODEL NO. >>

RP125

HIGH PERFORMANCE SINGLE STAGE POWER LINE FILTERS

MODEL NO.	RATED CURRENT, A @ 40° C	Y-CAP, nF	LEAKAGE CURRENT, mA @ 250V AC, 50 Hz / @ 120V AC, 60 Hz		TERMINAL OPTIONS			MAX. DIMENSIONS" (MM)		
					(W) INPUT/ OUTPUT	(S) INPUT/ OUTPUT	(C) INPUT/ OUTPUT	WIDTH	(LENGTH)	HEIGHT
RP125-35-2.2-S	35	2.2	0.34	0.19		✓		2.92" (74.2)	4.42" (112.25)	2" (50.8)
RP125-35-2.2-W	35	2.2	0.34	0.19	✓			*	*	*
RP125-35-4.7-C	35	4.7	0.73	0.42			✓	*	*	*
RP125-35-4.7-S	35	4.7	0.73	0.42		✓		2.92" (74.2)	4.42" (112.25)	2" (50.8)
RP125-35-4.7-W	35	4.7	0.73	0.42	✓			*	*	*
RP125-35-10-C	35	10	1.57	0.90			✓	*	*	*
RP125-35-10-S	35	10	1.57	0.90		✓		2.92" (74.2)	4.42" (112.25)	2" (50.8)
RP125-35-10-W	35	10	1.57	0.90	✓			*	*	*
RP125-35-22-C	35	22	3.45	1.99			✓	*	*	*
RP125-35-22-S	35	22	3.45	1.99		✓		2.92" (74.2)	4.42" (112.25)	2" (50.8)
RP125-35-22-W	35	22	3.45	1.99	✓			*	*	*
RP125-35-100-C	35	100	15.70	9.04			✓	*	*	*
RP125-35-100-S	35	100	15.70	9.04		✓		2.92" (74.2)	4.42" (112.25)	2" (50.8)
RP125-35-100-W	35	100	15.70	9.04	✓			*	*	*
RP125-45-0-C	45	0	-	-			✓	*	*	*
RP125-45-0-S	45	0	-	-		✓		3.00" (76.2)	5.79" (147)	2.50" (63.5)
RP125-45-0-W	45	0	-	-	✓			*	*	*
RP125-45-47-C	45	0.47	0.07	0.04			✓	*	*	*
RP125-45-47-S	45	0.47	0.07	0.04		✓		3.00" (76.2)	5.79" (147)	2.50" (63.5)
RP125-45-47-W	45	0.47	0.07	0.04	✓			*	*	*
RP125-45-1-C	45	1	0.15	0.09			✓	*	*	*
RP125-45-1-S	45	1	0.15	0.09		✓		3.00" (76.2)	5.79" (147)	2.50" (63.5)
RP125-45-1-W	45	1	0.15	0.09	✓			*	*	*
RP125-45-2.2-C	45	2.2	0.34	0.19			✓	*	*	*
RP125-45-2.2-S	45	2.2	0.34	0.19		✓		3.00" (76.2)	5.79" (147)	2.50" (63.5)
RP125-45-2.2-W	45	2.2	0.34	0.19	✓			*	*	*
RP125-45-4.7-C	45	4.7	0.73	0.42			✓	*	*	*
RP125-45-4.7-S	45	4.7	0.73	0.42		✓		3.00" (76.2)	5.79" (147)	2.50" (63.5)
RP125-45-4.7-W	45	4.7	0.73	0.42	✓			*	*	*
RP125-45-10-C	45	10	1.57	0.90			✓	*	*	*
RP125-45-10-S	45	10	1.57	0.90		✓		3.00" (76.2)	5.79" (147)	2.50" (63.5)
RP125-45-10-W	45	10	1.57	0.90	✓			*	*	*
RP125-45-22-C	45	22	3.45	1.99			✓	*	*	*
RP125-45-22-S	45	22	3.45	1.99		✓		3.00" (76.2)	5.79" (147)	2.50" (63.5)

ADDITIONAL MODEL NO. >>

RP125

COMPACT SINGLE STAGE POWER LINE FILTERS

MODEL NO.	RATED CURRENT, A @ 40° C	Y-CAP, nF	LEAKAGE CURRENT, mA @ 250V AC, 50 Hz / @ 120V AC, 60 Hz		TERMINAL OPTIONS			MAX. DIMENSIONS" (MM)		
					(W) INPUT/ OUTPUT	(S) INPUT/ OUTPUT	(C) INPUT/ OUTPUT	WIDTH	(LENGTH)	HEIGHT
RP125-45-22-W	45	22	3.45	1.99	✓			*	*	*
RP125-45-100-C	45	100	15.70	9.04			✓	*	*	*
RP125-45-100-S	45	100	15.70	9.04		✓		3.00" (76.2)	5.79" (147)	2.50" (63.5)
RP125-45-100-W	45	100	15.70	9.04	✓			*	*	*
RP125-60-0-C	60	0	-	-			✓	*	*	*
RP125-60-0-S	60	0	-	-		✓		3.00" (76.2)	6.97" (177)	2.50" (63.5)
RP125-60-0-W	60	0	-	-	✓			*	*	*
RP125-60-47-C	60	0.47	0.07	0.04			✓	*	*	*
RP125-60-47-S	60	0.47	0.07	0.04		✓		3.00" (76.2)	6.97" (177)	2.50" (63.5)
RP125-60-47-W	60	0.47	0.07	0.04	✓			*	*	*
RP125-60-1-C	60	1	0.15	0.09			✓	*	*	*
RP125-60-1-S	60	1	0.15	0.09		✓		3.00" (76.2)	6.97" (177)	2.50" (63.5)
RP125-60-1-W	60	1	0.15	0.09	✓			*	*	*
RP125-60-2.2-C	60	2.2	0.34	0.19			✓	*	*	*
RP125-60-2.2-S	60	2.2	0.34	0.19		✓		3.00" (76.2)	6.97" (177)	2.50" (63.5)
RP125-60-2.2-W	60	2.2	0.34	0.19	✓			*	*	*
RP125-60-4.7-C	60	4.7	0.73	0.42			✓	*	*	*
RP125-60-4.7-S	60	4.7	0.73	0.42		✓		3.00" (76.2)	6.97" (177)	2.50" (63.5)
RP125-60-4.7-W	60	4.7	0.73	0.42	✓			*	*	*
RP125-60-10-C	60	10	1.57	0.90			✓	*	*	*
RP125-60-10-S	60	10	1.57	0.90		✓		3.00" (76.2)	6.97" (177)	2.50" (63.5)
RP125-60-10-W	60	10	1.57	0.90	✓			*	*	*
RP125-60-22-C	60	22	3.45	1.99			✓	*	*	*
RP125-60-22-S	60	22	3.45	1.99		✓		3.00" (76.2)	6.97" (177)	2.50" (63.5)
RP125-60-22-W	60	22	3.45	1.99	✓			*	*	*
RP125-60-100-C	60	100	15.70	9.04			✓	*	*	*
RP125-60-100-S	60	100	15.70	9.04		✓		3.00" (76.2)	6.97" (177)	2.50" (63.5)
RP125-60-100-W	60	100	15.70	9.04	✓			*	*	*
RP125-80-0-C	80	0	-	-			✓	*	*	*
RP125-80-0-S	80	0	-	-		✓		4.25" (108)	8.72" (221.5)	2.76" (70)
RP125-80-0-W	80	0	-	-	✓			*	*	*
RP125-80-47-C	80	0.47	0.07	0.04			✓	*	*	*
RP125-80-47-S	80	0.47	0.07	0.04		✓		4.25" (108)	8.72" (221.5)	2.76" (70)
RP125-80-47-W	80	0.47	0.07	0.04	✓			*	*	*
RP125-80-1-C	80	1	0.15	0.09			✓	*	*	*

ADDITIONAL MODEL NO. >>

RP125

COMPACT SINGLE STAGE POWER LINE FILTERS

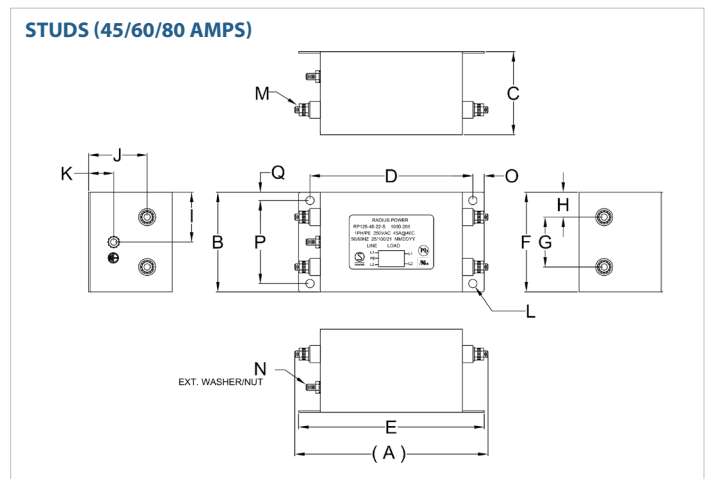
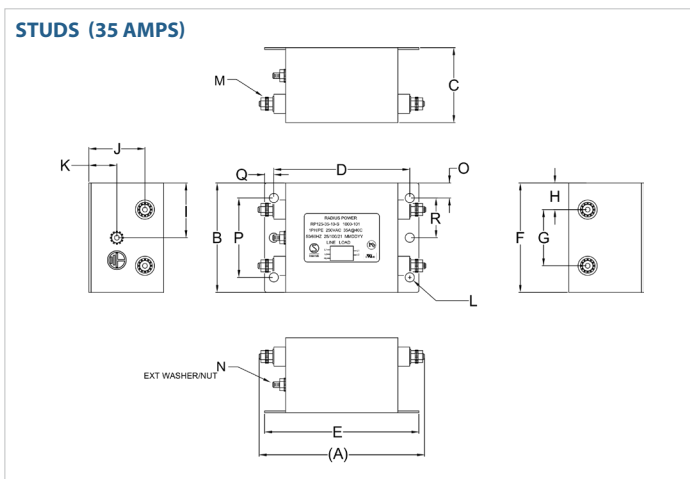
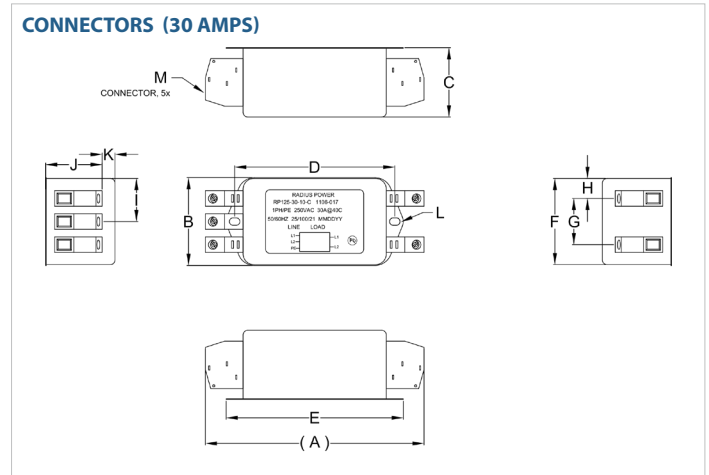
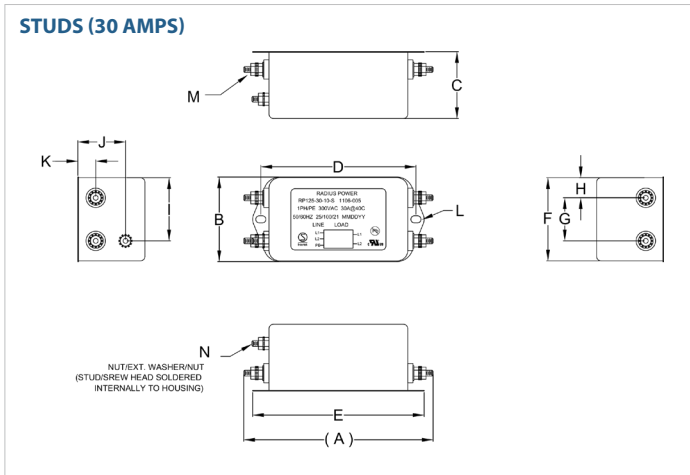
MODEL NO.	RATED CURRENT, A @ 40° C	Y-CAP, nF	LEAKAGE CURRENT, mA @ 250V AC, 50 Hz / @ 120V AC, 60 Hz		TERMINAL OPTIONS			MAX. DIMENSIONS" (MM)		
					(W) INPUT/ OUTPUT	(S) INPUT/ OUTPUT	(C) INPUT/ OUTPUT	WIDTH	(LENGTH)	HEIGHT
RP125-80-1-S	80	1	0.15	0.09		✓		4.25" (108)	8.72" (221.5)	2.76" (70)
RP125-80-1-W	80	1	0.15	0.09	✓			*	*	*
RP125-80-2.2-C	80	2.2	0.34	0.19			✓	*	*	*
RP125-80-2.2-S	80	2.2	0.34	0.19		✓		4.25" (108)	8.72" (221.5)	2.76" (70)
RP125-80-2.2-W	80	2.2	0.34	0.19	✓			*	*	*
RP125-80-4.7-C	80	4.7	0.73	0.42			✓	*	*	*
RP125-80-4.7-S	80	4.7	0.73	0.42		✓		4.25" (108)	8.72" (221.5)	2.76" (70)
RP125-80-4.7-W	80	4.7	0.73	0.42	✓			*	*	*
RP125-80-10-C	80	10	1.57	0.90			✓	*	*	*
RP125-80-10-S	80	10	1.57	0.90		✓		4.25" (108)	8.72" (221.5)	2.76" (70)
RP125-80-10-W	80	10	1.57	0.90	✓			*	*	*
RP125-80-22-C	80	22	3.45	1.99			✓	*	*	*
RP125-80-22-S	80	22	3.45	1.99		✓		4.25" (108)	8.72" (221.5)	2.76" (70)
RP125-80-22-W	80	22	3.45	1.99	✓			*	*	*
RP125-80-100-C	80	100	15.70	9.04			✓	*	*	*
RP125-80-100-S	80	100	15.70	9.04		✓		4.25" (108)	8.72" (221.5)	2.76" (70)
RP125-80-100-W	80	100	15.70	9.04	✓			*	*	*

*Contact factory for dimensions.

RP125

COMPACT SINGLE STAGE POWER LINE FILTERS

RP125 MECHANICAL OUTLINES (MM)



SERIES	(A)	B	C	D	E	F	G	H	I	J	K	L	M	N	O	P	Q	R
STUDS (30A)	5.00" (127)	2.28" (58)	1.81" (46)	4.09" (104)	4.53" (115)	2.24" (57)	1.14" (29)	0.53" (13.5)	1.73" (43.9)	1.26" (32)	0.47" (12)	Ø0.26"x4.8,2x (Ø6.8x4.8, 2x)	STUD, M4, 4x	STUD, GND, M4	N/A	N/A	N/A	N/A
CONNEC. (30A)	5.59" (142)	2.28" (58)	1.81" (46)	4.09" (104)	4.53" (115)	2.24" (57)	2.24" (30)	1.18" (13)	0.51" (28)	1.10" (36.7)	1.44" (8.3)	Ø0.26"x4.8,2x (Ø6.8x4.8, 2x)	DINKLE# PPACN-10AS	N/A	N/A	N/A	N/A	N/A
STUDS (35A)	4.42" (112.25)	2.92" (74.2)	2.00" (50.8)	3.63" (92.3)	4.12" (104.7)	2.92" (74.2)	1.50" (38.1)	0.71" (18.1)	1.46" (37.1)	1.50" (38.1)	0.75" (19)	Ø0.24"x6x (Ø6.2, 6x)	STUD, M4, 4x	STUD, GND, M4	0.40" (10.2)	2.12" (53.8)	0.24" (6.2)	1.06" (26.9)
STUDS (45A)	5.79" (147)	3.00" (76.2)	2.50" (63.5)	5.01" (127.3)	5.55" (141)	3.00" (76.2)	1.50" (38.1)	0.75" (19)	1.50" (38.1)	1.75" (44.5)	0.75" (19.1)	Ø0.25"x6x (Ø6.35, 4x)	STUD, M5, 4x	STUD, GND, M5	0.34" (8.6)	2.50" (63.5)	0.25" (6.3)	N/A
STUDS (60A)	6.97" (177)	3.00" (76.2)	2.50" (63.5)	5.62" (142.8)	6.25" (158.8)	3.00" (76.3)	1.75" (44.5)	0.63" (15.9)	1.50" (38.1)	1.75" (44.5)	0.65" (16.5)	Ø0.25"x4x (Ø6.4, 4x)	STUD, M6, 4x	STUD, GND, M6	0.31" (8)	2.50" (63.5)	0.25" (6.4)	N/A
STUDS (80)	8.72" (221.45)	4.25" (108)	2.76" (70)	7.38" (187.33)	8.00" (203.2)	4.25" (108)	1.75" (44.4)	1.25" (31.8)	2.13" (54)	1.85" (47)	0.91" (23)	Ø0.25"x8x (Ø6.4, 8x)	STUD, M6, 4x	STUD, GND, M6	0.31" (7.94)	3.31" (83.95)	0.47" (12)	N/A

TYPICAL TOLERANCE: +/-0.02" (0.50MM)

RP125

COMPACT SINGLE STAGE POWER LINE FILTERS

TYPICAL INSERTION LOSS, dB (50/50 Ohm)

Amps	Freq (MHz)	0.15	0.5	1.0	10	30
30	CM (dB)	16	26	32	45	50
	DM (dB)	34	65	65	70	70
35	CM (dB)	18	28	32	45	50
	DM (dB)	36	65	65	70	70
45	CM (dB)	16	26	32	45	60
	DM (dB)	34	65	65	70	70
60	CM (dB)	16	26	32	45	50
	DM (dB)	40	70	70	70	70
80	CM (dB)	16	26	32	45	50
	DM (dB)	40	70	70	70	70

X-ON Electronics

Largest Supplier of Electrical and Electronic Components

Click to view similar products for [Power Line Filters](#) category:

Click to view products by [Astrodyne](#) manufacturer:

Other Similar products are found below :

[6609019-3](#) [6609026-5](#) [6609030-6](#) [6609973-2](#) [D30A](#) [7-1609090-5](#) [F2810](#) [F4456A](#) [F7382Z](#) [F7863Z](#) [FAHAV3100ZC000](#) [806276](#) [FN2020B-1-06](#) [FN2080B-10-06](#) [FN2410H-32-33](#) [FN2410H-80-34](#) [FP144](#) [FS4153-20-06](#) [FS4353-500-99](#) [12-MMB-030-11-D](#) [DB4-393](#) [15811T200](#) [20B1](#) [LC630](#) [2B1](#) [1609080-2](#) [1609993-8](#) [1-6609070-1](#) [F1100AA02](#) [F1150CC10](#) [F1500CA10](#) [F1500CA15](#) [F4041Z](#) [F7585E](#) [1B1](#) [FN2070A-16-06](#) [FN2090A-20-06](#) [FN2090B-12-06](#) [FN2090Z-1-06](#) [FN2410H-25-33](#) [FN2410H-60-34](#) [FN2410H-8-44](#) [FN2412H-8-44](#) [FN323B-6-01](#) [FN3258H-130-35](#) [FN610R-3-06](#) [20EHQ7](#) [20EHZ7](#) [20K1](#) [30B6](#)