

RP187

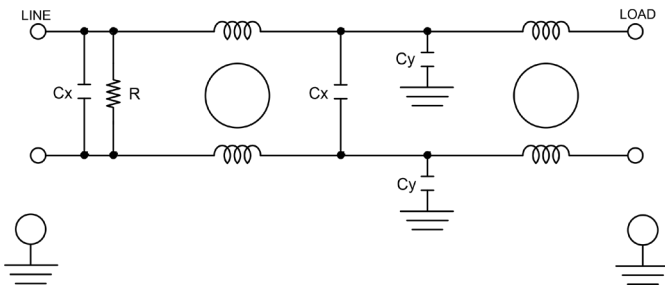
HIGH PERFORMANCE DUAL STAGE IEC INLET FILTER

FEATURES

- » Rated currents include **1A, 3A, 6A, 10A, and 20A**
- » Dual Stage Line Filter
- » Available with **QD** tabs or **W** (wireleads) option
- » High Performance
- » Agency Approved to UL1283 / 60929, CSA C22.2, EN 60939
- » Y-cap value can be adjusted to fit specifications



ELECTRICAL SCHEMATIC



SPECIFICATIONS

| | |
|-------------------------------|------------------------------|
| OPERATING FREQUENCY | 50/60Hz |
| IEC INLET | 1A-10A: C14 20A: C20 |
| MAX. OPERATING VOLTAGE | 250V +10% |
| AMBIENT TEMPERATURE | -25 TO 40°C |
| CLIMATIC CATEGORY | 25/100/21 |
| TERMINALS (-T) | QD: 0.25" TABS WIRE LEADS |
| TYP. WEIGHT, LBS (KG) | 0.17 (0.37) |

TYPICAL LEAKAGE CURRENT

| | |
|-----------------|-----------------|
| @ 250 VAC 50 Hz | 0 - 0.8 mA Max. |
| @ 120 VAC 60 Hz | 0 - 0.4 mA Max. |

HIPOT RATINGS

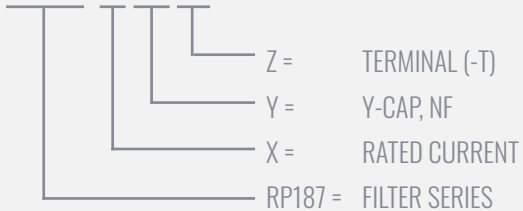
| | |
|-----------------------|----------|
| LINE TO GROUND | 2121 VDC |
|-----------------------|----------|

TYPICAL APPLICATIONS

- ✓ Electronic Equipment
- ✓ Household Appliances
- ✓ Single-Phase Power Supplies
- ✓ Diagnostic Medical Equipment
- ✓ Lighting Fixtures
- ✓ Test & Measurement
- ✓ Industrial Automation

HOW TO ORDER

RP100-X-Y-Z



NOTE: USE ANY COMBINATION OF -X (AMPS) WITH ANY -Y RATINGS
E.G. **RP187-10-1-QD** (10AMPS WITH 2.2 NF YCAP)

For **X, Y** and **Z** options see product specification table.

RP187

HIGH PERFORMANCE DUAL STAGE IEC INLET FILTER

| MODEL NO. | RATED CURRENT, A @ 40° C | Y-CAP, nF | LEAKAGE CURRENT, mA @ 250V AC, 50 Hz / @ 120V AC, 60 Hz | | TERMINAL OPTIONS | | MAX. DIMENSIONS" (MM) | | |
|----------------|--------------------------|-----------|---|------|------------------|------------|-----------------------|--------------|--------------|
| | | | | | (QD) OUTPUT | (W) OUTPUT | WIDTH | (LENGTH) | HEIGHT |
| RP187-1-0-QD | 1 | 0 | - | - | ✓ | | 1.97" (50) | 3.05" (77.5) | 0.88" (22.4) |
| RP187-1-0-W | 1 | 0 | - | - | | ✓ | * | * | * |
| RP187-1-47-QD | 1 | 0.47 | 0.08 | 0.04 | ✓ | | 1.97" (50) | 3.05" (77.5) | 0.88" (22.4) |
| RP187-1-47-W | 1 | 0.47 | 0.08 | 0.04 | | ✓ | * | * | * |
| RP187-1-1-QD | 1 | 1 | 0.18 | 0.09 | ✓ | | 1.97" (50) | 3.05" (77.5) | 0.88" (22.4) |
| RP187-1-1-W | 1 | 1 | 0.18 | 0.09 | | ✓ | * | * | * |
| RP187-1-2.2-QD | 1 | 2.2 | 0.40 | 0.20 | ✓ | | 1.97" (50) | 3.05" (77.5) | 0.88" (22.4) |
| RP187-1-2.2-W | 1 | 2.2 | 0.40 | 0.20 | | ✓ | * | * | * |
| RP187-1-4.7-QD | 1 | 4.7 | 0.80 | 0.40 | ✓ | | 1.97" (50) | 3.05" (77.5) | 0.88" (22.4) |
| RP187-1-4.7-W | 1 | 4.7 | 0.80 | 0.40 | | ✓ | * | * | * |
| RP187-3-0-QD | 3 | 0 | - | - | ✓ | | 1.97" (50) | 3.05" (77.5) | 0.88" (22.4) |
| RP187-3-0-W | 3 | 0 | - | - | | ✓ | * | * | * |
| RP187-3-47-QD | 3 | 0.47 | 0.08 | 0.04 | ✓ | | 1.97" (50) | 3.05" (77.5) | 0.88" (22.4) |
| RP187-3-47-W | 3 | 0.47 | 0.08 | 0.04 | | ✓ | * | * | * |
| RP187-3-1-QD | 3 | 1 | 0.18 | 0.09 | ✓ | | 1.97" (50) | 3.05" (77.5) | 0.88" (22.4) |
| RP187-3-1-W | 3 | 1 | 0.18 | 0.09 | | ✓ | * | * | * |
| RP187-3-2.2-QD | 3 | 2.2 | 0.40 | 0.20 | ✓ | | 1.97" (50) | 3.05" (77.5) | 0.88" (22.4) |
| RP187-3-2.2-W | 3 | 2.2 | 0.40 | 0.20 | | ✓ | * | * | * |
| RP187-3-4.7-QD | 3 | 4.7 | 0.80 | 0.40 | ✓ | | 1.97" (50) | 3.05" (77.5) | 0.88" (22.4) |
| RP187-3-4.7-W | 3 | 4.7 | 0.80 | 0.40 | | ✓ | * | * | * |
| RP187-6-0-QD | 6 | 0 | - | - | ✓ | | 1.97" (50) | 3.05" (77.5) | 0.88" (22.4) |
| RP187-6-0-W | 6 | 0 | - | - | | ✓ | * | * | * |
| RP187-6-47-QD | 6 | 0.47 | 0.08 | 0.04 | ✓ | | 1.97" (50) | 3.05" (77.5) | 0.88" (22.4) |
| RP187-6-47-W | 6 | 0.47 | 0.08 | 0.04 | | ✓ | * | * | * |
| RP187-6-1-QD | 6 | 1 | 0.18 | 0.09 | ✓ | | 1.97" (50) | 3.05" (77.5) | 0.88" (22.4) |
| RP187-6-1-W | 6 | 1 | 0.18 | 0.09 | | ✓ | * | * | * |
| RP187-6-2.2-QD | 6 | 2.2 | 0.40 | 0.20 | ✓ | | 1.97" (50) | 3.05" (77.5) | 0.88" (22.4) |
| RP187-6-2.2-W | 6 | 2.2 | 0.40 | 0.20 | | ✓ | * | * | * |
| RP187-6-4.7-QD | 6 | 4.7 | 0.80 | 0.40 | ✓ | | 1.97" (50) | 3.05" (77.5) | 0.88" (22.4) |
| RP187-6-4.7-W | 6 | 4.7 | 0.80 | 0.40 | | ✓ | * | * | * |
| RP187-10-0-QD | 10 | 0 | - | - | ✓ | | 1.97" (50) | 3.05" (77.5) | 0.88" (22.4) |
| RP187-10-0-W | 10 | 0 | - | - | | ✓ | * | * | * |
| RP187-10-47-QD | 10 | 0.47 | 0.08 | 0.04 | ✓ | | 1.97" (50) | 3.05" (77.5) | 0.88" (22.4) |
| RP187-10-47-W | 10 | 0.47 | 0.08 | 0.04 | | ✓ | * | * | * |

ADDITIONAL MODEL NO. >>

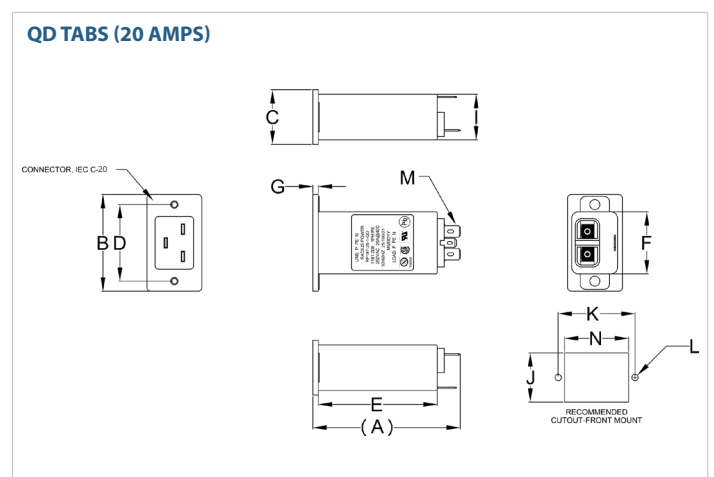
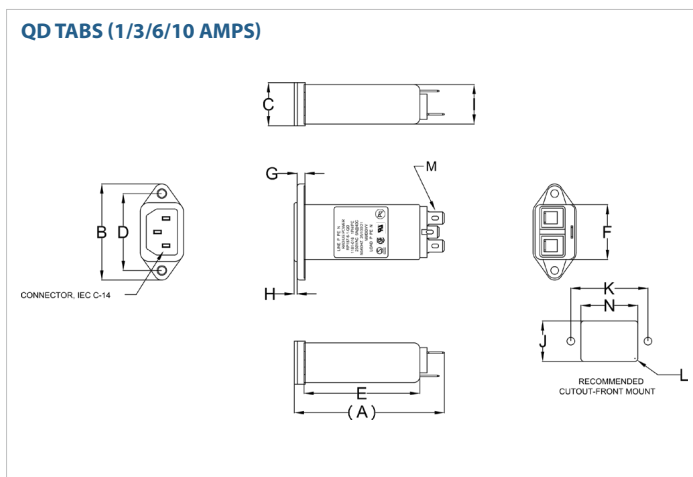
RP187

HIGH PERFORMANCE DUAL STAGE IEC INLET FILTER

| MODEL NO. | RATED CURRENT, A @ 40° C | Y-CAP, nF | LEAKAGE CURRENT, mA @ 250V AC, 50 Hz / @ 120V AC, 60 Hz | | TERMINAL OPTIONS | | MAX. DIMENSIONS" (MM) | | |
|-----------------|--------------------------|-----------|---|------|------------------|------------|-----------------------|--------------|--------------|
| | | | | | (QD) OUTPUT | (W) OUTPUT | WIDTH | (LENGTH) | HEIGHT |
| RP187-10-1-QD | 10 | 1 | 0.18 | 0.09 | ✓ | | 1.97" (50) | 3.05" (77.5) | 0.88" (22.4) |
| RP187-10-1-W | 10 | 1 | 0.18 | 0.09 | | ✓ | * | * | * |
| RP187-10-2.2-QD | 10 | 2.2 | 0.40 | 0.20 | ✓ | | 1.97" (50) | 3.05" (77.5) | 0.88" (22.4) |
| RP187-10-2.2-W | 10 | 2.2 | 0.40 | 0.20 | | ✓ | * | * | * |
| RP187-10-4.7-QD | 10 | 4.7 | 0.80 | 0.40 | ✓ | | 1.97" (50) | 3.05" (77.5) | 0.88" (22.4) |
| RP187-10-4.7-W | 10 | 4.7 | 0.80 | 0.40 | | ✓ | * | * | * |
| RP187-20-0-QD | 20 | 0 | - | - | ✓ | | 2.09" (53) | 3.17" (80.6) | 1.18" (30) |
| RP187-20-0-W | 20 | 0 | - | - | | ✓ | * | * | * |
| RP187-20-47-QD | 20 | 0.47 | 0.08 | 0.04 | ✓ | | 2.09" (53) | 3.17" (80.6) | 1.18" (30) |
| RP187-20-47-W | 20 | 0.47 | 0.08 | 0.04 | | ✓ | * | * | * |
| RP187-20-1-QD | 20 | 1 | 0.18 | 0.09 | ✓ | | 2.09" (53) | 3.17" (80.6) | 1.18" (30) |
| RP187-20-1-W | 20 | 1 | 0.18 | 0.09 | | ✓ | * | * | * |
| RP187-20-2.2-QD | 20 | 2.2 | 0.40 | 0.20 | ✓ | | 2.09" (53) | 3.17" (80.6) | 1.18" (30) |
| RP187-20-2.2-W | 20 | 2.2 | 0.40 | 0.20 | | ✓ | * | * | * |
| RP187-20-4.7-QD | 20 | 4.7 | 0.80 | 0.40 | ✓ | | 2.09" (53) | 3.17" (80.6) | 1.18" (30) |
| RP187-20-4.7-W | 20 | 4.7 | 0.80 | 0.40 | | ✓ | * | * | * |

*Contact factory for dimensions.

RP187 MECHANICAL OUTLINES (MM)



RP187

HIGH PERFORMANCE DUAL STAGE IEC INLET FILTER

| SERIES | (A) | B | C | D | E | F | G | H | I | J | K | L | | |
|----------------------------|-----------------|---------------|-----------------|-----------------|---------------|-----------------|----------------|----------------|-----------------|-----------------|---------------|------------------------|---------------------------------|-----------------|
| QD TABS (1/3/6/10A) | 3.05" (77.5) | 1.97" (50) | 0.88" (22.4) | 1.57" (40) | 2.40" (61) | 1.15" (29.2) | 0.16" (4.1) | 0.06" (1.5) | 0.82" (20.8) | 0.83 " (21) | 1.57" (40) | 0.05, 4x R1.5, 4X | 0.25", 3x QD, MALE, 6.35, 3x | 1.16" (29.5) |
| QD TABS (20A) | 3.17" (80.6) | 2.09" (53) | 1.18" (30) | 1.66" (42.2) | 2.60" (66) | 1.34" (34) | 0.12" (3) | N/A | 0.98" (25) | 1.07" (27.2) | 1.65" (42) | Ø0.13, 2x Ø3.50, 2x | 0.25", 3x QD, MALE, 6.35, 3x | 1.39" (35.2) |

TYPICAL TOLERANCE: +/-0.02" (0.50MM)

TYPICAL INSERTION LOSS, dB (50/50 Ohm)

| Amps | Freq (MHz) | Insertion Loss (dB) | | | | |
|-----------|------------|---------------------|-----|-----|----|----|
| | | 0.15 | 0.5 | 1.0 | 10 | 30 |
| 1 | CM (dB) | 52 | 60 | 65 | 65 | 50 |
| | DM (dB) | 28 | 45 | 65 | 65 | 55 |
| 3 | CM (dB) | 45 | 60 | 65 | 65 | 50 |
| | DM (dB) | 28 | 45 | 65 | 65 | 60 |
| 6 | CM (dB) | 30 | 50 | 60 | 60 | 60 |
| | DM (dB) | 26 | 40 | 60 | 60 | 55 |
| 10 | CM (dB) | 28 | 40 | 50 | 55 | 55 |
| | DM (dB) | 26 | 38 | 55 | 60 | 60 |
| 20 | CM (dB) | 18 | 35 | 45 | 50 | 58 |
| | DM (dB) | 16 | 35 | 55 | 55 | 70 |

X-ON Electronics

Largest Supplier of Electrical and Electronic Components

Click to view similar products for [AC Power Entry Modules](#) category:

Click to view products by [Astrodyne](#) manufacturer:

Other Similar products are found below :

[0098.0050](#) [6167.0002](#) [6609100-2](#) [7-6609955-2](#) [FKI2-50-6/M5](#) [FN361-6-06](#) [FN389-4-22](#) [FN9226B-6-02](#) [FN9233S1-10-06](#) [FN9233S1-8-06](#)
[FN9233S1B-8-06](#) [FN9233S1R-1-06](#) [FN9233S1R-12-06](#) [FN9233SB-1-06](#) [FN9233SB-12-06](#) [FN9233SB-8-06](#) [FN9233SR-10-06](#) [FN9244B-15-06HI](#) [FN9244EB-3-06](#) [FN9244EB-8-06](#) [FN9244ER-15-06](#) [FN9244ER-8-06](#) [FN9244ES1-8-06](#) [FN9244ESB-8-06](#) [FN9244R-12-06](#)
[FN9244S1-12-06](#) [FN9244S1R-3-06](#) [FN9244SB-8-06](#) [FN9244SR-6-06](#) [FN9244U-3-06](#) [FN9244U-8-06](#) [8-6609940-2](#) [PE00SSSXB](#) [Fuse-H-EUR-1](#) [Fuse-H-USA-1](#) [PM00XD000](#) [A-0701-HT-H](#) [15EJMS8](#) [1-6609941-2](#) [200JM6-2](#) [CA121003-6](#) [SK-1015\(F1-5\)](#) [161-R3015-E](#) [1-6609153-2](#) [FN323-1-05](#) [FN9233B-8-06](#) [FN9233EB-1-06](#) [FN9233ES1R-10-06](#) [FN9233R-12-06](#) [FN9233S-10-06](#)