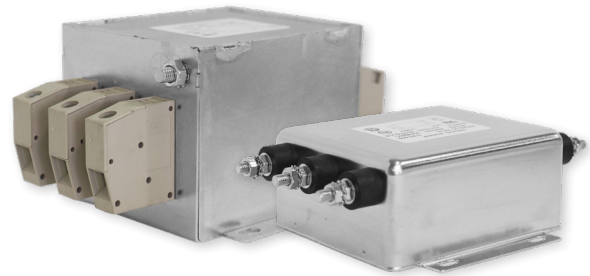


RP305

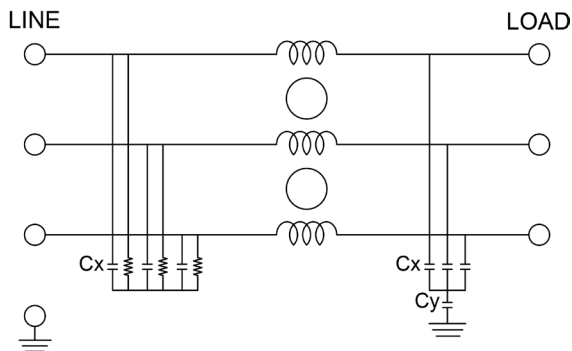
COMPACT 3-PHASE **DELTA** SINGLE STAGE POWER LINE FILTER

FEATURES

- » Rated currents include **6A, 10A, 20A, 30A, 40A, 60A and 80A**
- » Single Stage Line Filter
- » Available with **W** (wire), **S** (studs) and **C** (connectors) option
- » Compact Design
- » Agency Approved to UL1283 / 60929, CSA C22.2, EN 60939
- » Y-cap value can be adjusted to fit specification

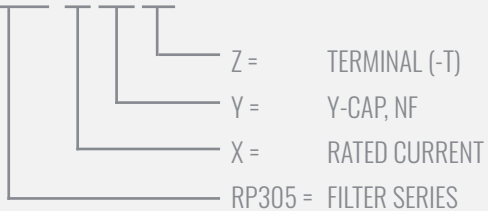


ELECTRICAL SCHEMATIC



HOW TO ORDER

RP305- X - Y - Z



NOTE: USE ANY COMBINATION OF -X (AMPS) WITH ANY -Y RATINGS

E.G. **RP305-30-1000-S** (30AMPS WITH 1000 NF YCAP)

For **X**, **Y** and **Z** options see product specification table.

SPECIFICATIONS

OPERATING FREQUENCY	50/60Hz
USABLE FREQUENCY	DC - 400 Hz
MAX. OPERATING VOLTAGE*	480V +10%
AMBIENT TEMPERATURE	-25 TO 50°C
CLIMATIC CATEGORY	25/100/21
TERMINALS (-T)	QD: 0.25 TABS(6-16A)
WIRE LEADS	STUDS(M5)
CONNECTORS	CONNECTORS

TYP. WEIGHT, LBS (KG) 2.6 (1.2)

TYPICAL LEAKAGE CURRENT

@ 480 VAC 60 Hz 0 - 10.0 mA Max.

HIPOT RATINGS

LINE TO GROUND 3500 VDC

TYPICAL APPLICATIONS

- ✓ High Power Rectifiers
- ✓ Uninterrupted Power Supplies
- ✓ Processing Equipment
- ✓ Alternative Energy (EV Charging & Solar)
- ✓ Factory Machinery

RP305

COMPACT 3-PHASE **DELTA** SINGLE STAGE POWER LINE FILTER

MODEL NO.	RATED CURRENT, A @ 40° C	Y-CAP, nF	LEAKAGE CURRENT mA, @ 480V AC/60 Hz	TERMINAL OPTIONS			MAX. DIMENSIONS" (MM)		
				(W) INPUT/ OUTPUT	(S) INPUT/ OUTPUT	(C) INPUT/ OUTPUT	WIDTH	(LENGTH)	HEIGHT
RP305-6-0-S	6	0	-		✓		4.25"(108)	5.87"(149)	1.79"(46)
RP305-6-0-W	6	0	-	✓			*	*	*
RP305-6-10-S	6	10	0.10		✓		4.25"(108)	5.87"(149)	1.79"(46)
RP305-6-10-W	6	10	0.10	✓			*	*	*
RP305-6-100-S	6	100	1.00		✓		4.25"(108)	5.87"(149)	1.79"(46)
RP305-6-100-W	6	100	1.00	✓			*	*	*
RP305-6-1000-S	6	1000	10.00		✓		4.25"(108)	5.87"(149)	1.79"(46)
RP305-6-1000-W	6	1000	10.00	✓			*	*	*
RP305-10-0-S	10	0	-		✓		4.25"(108)	5.87"(149)	1.79"(46)
RP305-10-0-W	10	0	-	✓			*	*	*
RP305-10-10-S	10	10	0.10		✓		4.25"(108)	5.87"(149)	1.79"(46)
RP305-10-10-W	10	10	0.10	✓			*	*	*
RP305-10-100-S	10	100	1.00		✓		4.25"(108)	5.87"(149)	1.79"(46)
RP305-10-100-W	10	100	1.00	✓			*	*	*
RP305-10-1000-S	10	1000	10.00		✓		4.25"(108)	5.87"(149)	1.79"(46)
RP305-10-1000-W	10	1000	10.00	✓			*	*	*
RP305-20-0-S	20	0	-		✓		4.25"(108)	5.87"(149)	1.79"(46)
RP305-20-0-W	20	0	-	✓			*	*	*
RP305-20-10-S	20	10	0.10		✓		4.25"(108)	5.87"(149)	1.79"(46)
RP305-20-10-W	20	10	0.10	✓			*	*	*
RP305-20-100-S	20	100	1.00		✓		4.25"(108)	5.87"(149)	1.79"(46)
RP305-20-100-W	20	100	1.00	✓			*	*	*
RP305-20-1000-S	20	1000	10.00		✓		4.25"(108)	5.87"(149)	1.79"(46)
RP305-20-1000-W	20	1000	10.00	✓			*	*	*
RP305-30-0-C	30	0	-			✓	3.30"(84)	5.83"(148)	1.75"(44)
RP305-30-0-S	30	0	-		✓		4.25"(108)	5.87"(149)	1.79"(46)
RP305-30-0-W	30	0	-	✓			*	*	*
RP305-30-10-C	30	10	0.10			✓	3.30"(84)	5.83"(148)	1.75"(44)
RP305-30-10-S	30	10	0.10		✓		4.25"(108)	5.87"(149)	1.79"(46)
RP305-30-10-W	30	10	0.10	✓			*	*	*
RP305-30-100-C	30	100	1.00			✓	3.30"(84)	5.83"(148)	1.75"(44)
RP305-30-100-S	30	100	1.00		✓		4.25"(108)	5.87"(149)	1.79"(46)
RP305-30-100-W	30	100	1.00	✓			*	*	*
RP305-30-1000-C	30	1000	10.00			✓	3.30"(84)	5.83"(148)	1.75"(44)

ADDITIONAL MODEL NO. >>

RP305

COMPACT 3-PHASE **DELTA** SINGLE STAGE POWER LINE FILTER

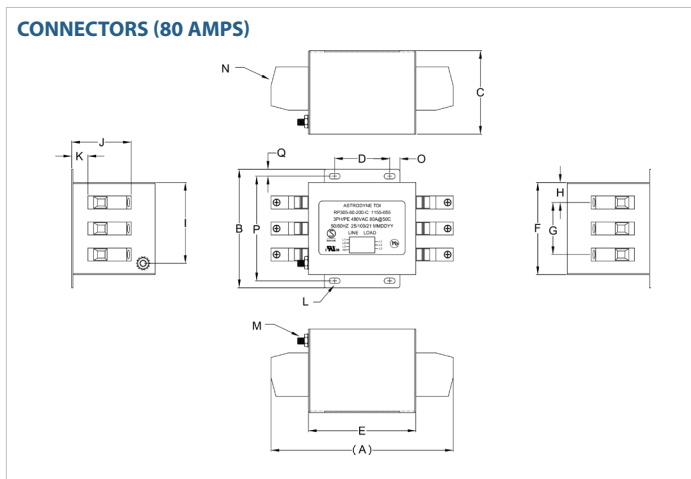
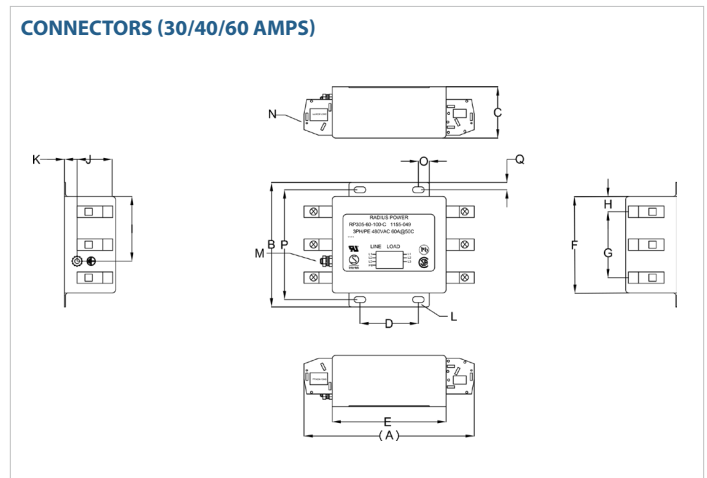
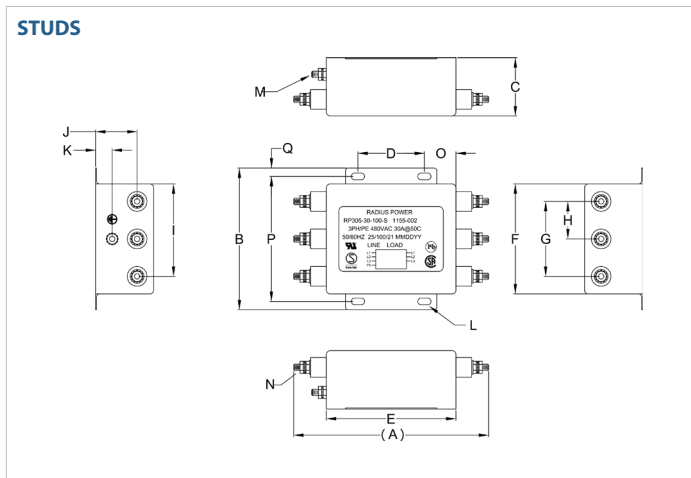
MODEL NO.	RATED CURRENT, A @ 40° C	Y-CAP, nF	LEAKAGE CURRENT mA, @ 480V AC/60 Hz	TERMINAL OPTIONS			MAX. DIMENSIONS" (MM)		
				(W) INPUT/OUTPUT	(S) INPUT/OUTPUT	(C) INPUT/OUTPUT	WIDTH	(LENGTH)	HEIGHT
RP305-30-1000-S	30	1000	10.00		✓		4.25"(108)	5.87"(149)	1.79"(46)
RP305-30-1000-W	30	1000	10.00	✓			*	*	*
RP305-40-0-C	40	0	-			✓	3.30"(84)	5.83"(148)	1.75"(44)
RP305-40-0-S	40	0	-		✓		4.25"(108)	5.87"(149)	1.79"(46)
RP305-40-0-W	40	0	-	✓			*	*	*
RP305-40-10-C	40	10	0.10			✓	3.30"(84)	5.83"(148)	1.75"(44)
RP305-40-10-S	40	10	0.10		✓		4.25"(108)	5.87"(149)	1.79"(46)
RP305-40-10-W	40	10	0.10	✓			*	*	*
RP305-40-100-C	40	100	1.00			✓	3.30"(84)	5.83"(148)	1.75"(44)
RP305-40-100-S	40	100	1.00		✓		4.25"(108)	5.87"(149)	1.79"(46)
RP305-40-100-W	40	100	1.00	✓			*	*	*
RP305-40-1000-C	40	1000	10.00			✓	3.30"(84)	5.83"(148)	1.75"(44)
RP305-40-1000-S	40	1000	10.00		✓		4.25"(108)	5.87"(149)	1.79"(46)
RP305-40-1000-W	40	1000	10.00	✓			*	*	*
RP305-60-0-C	60	0	-			✓	3.30"(84)	5.83"(148)	1.75"(44)
RP305-60-0-S	60	0	-		✓		4.25"(108)	5.87"(149)	1.79"(46)
RP305-60-0-W	60	0	-	✓			*	*	*
RP305-60-10-C	60	10	0.10			✓	3.30"(84)	5.83"(148)	1.75"(44)
RP305-60-10-S	60	10	0.10		✓		4.25"(108)	5.87"(149)	1.79"(46)
RP305-60-10-W	60	10	0.10	✓			*	*	*
RP305-60-100-C	60	100	1.00			✓	3.30"(84)	5.83"(148)	1.75"(44)
RP305-60-100-S	60	100	1.00		✓		4.25"(108)	5.87"(149)	1.79"(46)
RP305-60-100-W	60	100	1.00	✓			*	*	*
RP305-60-1000-C	60	1000	10.00			✓	3.30"(84)	5.83"(148)	1.75"(44)
RP305-60-1000-S	60	1000	10.00		✓		4.25"(108)	5.87"(149)	1.79"(46)
RP305-60-1000-W	60	1000	10.00	✓			*	*	*
RP305-80-100-C	80	100	1.00			✓	3.29"(84)	6.62"(168)	1.75"(44)
RP305-80-200-C	80	200	2.00			✓	3.29"(84)	6.62"(168)	1.75"(44)
RP305-80-470-C	80	470	*			✓	3.29"(84)	6.62"(168)	1.75"(44)
RP305-80-680-C	80	680	*			✓	3.29"(84)	6.62"(168)	1.75"(44)
RP305-80-1000-C	80	1000	*			✓	3.29"(84)	6.62"(168)	1.75"(44)

*Contact factory for dimensions.

RP305

COMPACT 3-PHASE **DELTA** SINGLE STAGE POWER LINE FILTER

RP305 MECHANICAL OUTLINES (MM)



SERIES	(A)	B	C	D	E	F	G	H	I	J	K	L	M	N	O	P	Q
STUDS	5.87" (149)	4.25" (108)	1.79" (46)	2.00" (51)	3.94" (100)	3.30" (84)	2.25" (57)	1.13" (29)	2.77" (70)	1.25" (32)	0.50" (13)	Ø, 0.40X5.1,4X Ø, 10.2x5.1, 4x	STUD, GND, M5	STUD, M5, 6x	0.95" (24)	3.75" (95)	0.25" (6)
CONNECT. (30-60A)	5.83" (148)	3.30" (84)	1.75" (44)	2.00" (51)	3.90" (99)	4.25" (108)	2.25" (57)	0.52" (13)	2.21" (56)	1.65" (42)	0.43" (11)	Ø, 0.40X5.08,4X Ø, 10.16x5.08, 4x	STUD, GND, M5	CONNECTOR, PPACN-10AS, 6x	0.37" (10)	3.75" (95)	0.25" (6)
CONNECT. (80A)	6.62" (168)	3.29" (84)	1.75" (44)	2.00" (51)	3.90" (99)	4.25" (108)	2.25" (57)	0.52" (13)	2.21" (56)	1.65" (42)	0.43" (11)	Ø, 0.40X5.1,4X Ø, 10.2x5.1, 4x	STUD, GND, M5	CONNECTOR, PPACN-16AS, 6x	0.37" (10)	3.75" (95)	0.25" (6)

TYPICAL TOLERANCE: +/-0.02" (0.50MM)

RP305

COMPACT 3-PHASE **DELTA** SINGLE STAGE POWER LINE FILTER

TYPICAL INSERTION LOSS, dB (50/50 Ohm)

Amps	Freq (MHz)	0.15	0.5	1.0	10	30
6	CM (dB)	70	75	75	58	52
	DM (dB)	54	72	77	77	67
10	CM (dB)	62	75	75	60	52
	DM (dB)	50	72	77	77	67
20	CM (dB)	60	65	68	52	52
	DM (dB)	50	57	62	62	52
30	CM (dB)	60	70	72	57	52
	DM (dB)	48	67	72	72	67
40	CM (dB)	60	68	73	58	53
	DM (dB)	47	67	72	72	67
60	CM (dB)	58	65	70	60	50
	DM (dB)	45	65	70	70	65
80	CM (dB)	*	*	*	*	*
	DM (dB)	*	*	*	*	*

X-ON Electronics

Largest Supplier of Electrical and Electronic Components

Click to view similar products for [Power Line Filters](#) category:

Click to view products by [Astrodyne](#) manufacturer:

Other Similar products are found below :

[6609019-3](#) [6609026-5](#) [6609030-6](#) [6609973-2](#) [D30A](#) [7-1609090-5](#) [F2810](#) [F4456A](#) [F7382Z](#) [F7863Z](#) [FAHAV3100ZC000](#) [806276](#) [FN2020B-1-06](#) [FN2080B-10-06](#) [FN2410H-32-33](#) [FN2410H-80-34](#) [FP144](#) [FS4153-20-06](#) [FS4353-500-99](#) [12-MMB-030-11-D](#) [DB4-393](#) [15811T200](#) [20B1](#) [LC630](#) [2B1](#) [1609080-2](#) [1609993-8](#) [1-6609070-1](#) [F1100AA02](#) [F1150CC10](#) [F1500CA10](#) [F1500CA15](#) [F4041Z](#) [F7585E](#) [1B1](#) [FN2070A-16-06](#) [FN2090A-20-06](#) [FN2090B-12-06](#) [FN2090Z-1-06](#) [FN2410H-25-33](#) [FN2410H-60-34](#) [FN2410H-8-44](#) [FN2412H-8-44](#) [FN323B-6-01](#) [FN610R-3-06](#) [20EHQ7](#) [20EHZ7](#) [20K1](#) [30B6](#) [3K1](#)