

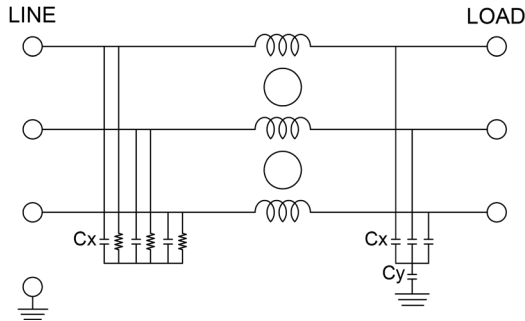
# RP350

## 3-PHASE DELTA COMPACT SINGLE STAGE POWER LINE FILTER

### FEATURES

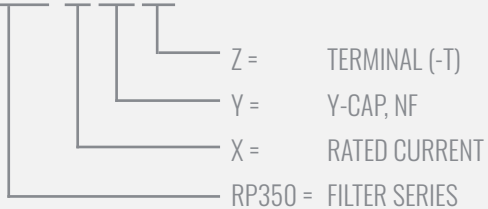
- » Rated currents include **20A, 40A, 60A, 80A and 100A**
- » Single Stage Line Filter
- » Available with **W** (wires), **S** (studs) and **C** (connectors) option
- » Compact Design
- » Agency Approved to UL1283 / 60929, CSA C22.2, EN 60950
- » Y-cap value can be adjusted to fit specification

### ELECTRICAL SCHEMATIC



### HOW TO ORDER

RP350-X-Y-Z



**NOTE:** USE ANY COMBINATION OF -X (AMPS) WITH ANY -Y RATINGS

E.G. **RP350-60-1000-S** (60AMPS WITH 1000 NF YCAP)

For **X, Y** and **Z** options see product specification table.



### SPECIFICATIONS

OPERATING FREQUENCY	50/60Hz
USABLE FREQUENCY	DC - 400 Hz
MAX. OPERATING VOLTAGE	480 V +10%
AMBIENT TEMPERATURE	-25 TO 50°C
CLIMATIC CATEGORY	25/100/21
TERMINALS (-T)	WIRE LEADS
	STUDS 20-60A(M5),
	80-100A(M6)
	CONNECTORS
TYP. WEIGHT, LBS (KG)	5.0 (2.3)

### TYPICAL LEAKAGE CURRENT

@ 480 VAC 60 Hz 0 - 20.0 mA Max.

### HIPOT RATINGS

LINE TO GROUND 3500 VDC

### TYPICAL APPLICATIONS

- ✓ Power Conversion Systems
- ✓ Processing Equipment
- ✓ Alternative Energy (EV Charging & Solar Systems)
- ✓ Industrial Automation
- ✓ Test & Measurement

# RP350

## 3-PHASE DELTA COMPACT SINGLE STAGE POWER LINE FILTER

MODEL NO.	RATED CURRENT, A @ 40° C	Y-CAP, nF	LEAKAGE CURRENT mA, @ 480V AC/60 Hz	TERMINAL OPTIONS			MAX. DIMENSIONS" (MM)		
				(W) INPUT/ OUTPUT	(S) INPUT/ OUTPUT	(C) INPUT/ OUTPUT	WIDTH	(LENGTH)	HEIGHT
RP350-20-0-S	20	0	-		✓		4.00"(102)	7.97"(202)	3.25"(83)
RP350-20-0-W	20	0	-	✓			*	*	*
RP350-20-10-S	20	10	0.10		✓		4.00"(102)	7.97"(202)	3.25"(83)
RP350-20-10-W	20	10	0.10	✓			*	*	*
RP350-20-100-S	20	100	1.00		✓		4.00"(102)	7.97"(202)	3.25"(83)
RP350-20-100-W	20	100	1.00	✓			*	*	*
RP350-20-1000-S	20	1000	10.00		✓		4.00"(102)	7.97"(202)	3.25"(83)
RP350-20-1000-W	20	1000	10.00	✓			*	*	*
RP350-20-2000-S	20	2000	20.00		✓		4.00"(102)	7.97"(202)	3.25"(83)
RP350-20-2000-W	20	2000	20.00	✓			*	*	*
RP350-40-0-C	40	0	-			✓	*	*	*
RP350-40-0-S	40	0	-		✓		4.00"(102)	7.97"(202)	3.25"(83)
RP350-40-0-W	40	0	-	✓			*	*	*
RP350-40-10-C	40	10	0.10			✓	*	*	*
RP350-40-10-S	40	10	0.10		✓		4.00"(102)	7.97"(202)	3.25"(83)
RP350-40-10-W	40	10	0.10	✓			*	*	*
RP350-40-100-C	40	100	1.00			✓	*	*	*
RP350-40-100-S	40	100	1.00		✓		4.00"(102)	7.97"(202)	3.25"(83)
RP350-40-100-W	40	100	1.00	✓			*	*	*
RP350-40-1000-C	40	1000	10.00			✓	*	*	*
RP350-40-1000-S	40	1000	10.00		✓		4.00"(102)	7.97"(202)	3.25"(83)
RP350-40-1000-W	40	1000	10.00	✓			*	*	*
RP350-40-2000-C	40	2000	20.00			✓	*	*	*
RP350-40-2000-S	40	2000	20.00		✓		4.00"(102)	7.97"(202)	3.25"(83)
RP350-40-2000-W	40	2000	20.00	✓			*	*	*
RP350-60-0-C	60	0	-			✓	*	*	*
RP350-60-0-S	60	0	-		✓		4.00"(102)	7.97"(202)	3.25"(83)
RP350-60-0-W	60	0	-	✓			*	*	*
RP350-60-10-C	60	10	0.10			✓	*	*	*
RP350-60-10-S	60	10	0.10		✓		4.00"(102)	7.97"(202)	3.25"(83)
RP350-60-10-W	60	10	0.10	✓			*	*	*
RP350-60-100-C	60	100	1.00			✓	*	*	*
RP350-60-100-S	60	100	1.00		✓		4.00"(102)	7.97"(202)	3.25"(83)
RP350-60-100-W	60	100	1.00	✓			*	*	*

**ADDITIONAL MODEL NO. >>**

# RP350

## 3-PHASE DELTA COMPACT SINGLE STAGE POWER LINE FILTER

MODEL NO.	RATED CURRENT, A @ 40° C	Y-CAP, nF	LEAKAGE CURRENT mA, @ 480V AC/60 Hz	TERMINAL OPTIONS			MAX. DIMENSIONS" (MM)		
				(W) INPUT/OUTPUT	(S) INPUT/OUTPUT	(C) INPUT/OUTPUT	WIDTH	(LENGTH)	HEIGHT
RP350-60-1000-C	60	1000	10.00			✓	*	*	*
RP350-60-1000-S	60	1000	10.00		✓		4.00"(102)	7.97"(202)	3.25"(83)
RP350-60-1000-W	60	1000	10.00	✓			*	*	*
RP350-60-2000-C	60	2000	20.00			✓	*	*	*
RP350-60-2000-S	60	2000	20.00		✓		4.00"(102)	7.97"(202)	3.25"(83)
RP350-60-2000-W	60	2000	20.00	✓			*	*	*
RP350-80-0-C	80	0	-			✓	*	*	*
RP350-80-0-S	80	0	-		✓		4.00"(102)	8.36"(212)	3.25"(83)
RP350-80-0-W	80	0	-	✓			*	*	*
RP350-80-10-C	80	10	0.10			✓	*	*	*
RP350-80-10-S	80	10	0.10		✓		4.00"(102)	8.36"(212)	3.25"(83)
RP350-80-10-W	80	10	0.10	✓			*	*	*
RP350-80-100-C	80	100	1.00			✓	*	*	*
RP350-80-100-S	80	100	1.00		✓		4.00"(102)	8.36"(212)	3.25"(83)
RP350-80-100-W	80	100	1.00	✓			*	*	*
RP350-80-1000-C	80	1000	10.00			✓	*	*	*
RP350-80-1000-S	80	1000	10.00		✓		4.00"(102)	8.36"(212)	3.25"(83)
RP350-80-1000-W	80	1000	10.00	✓			*	*	*
RP350-80-2000-C	80	2000	20.00			✓	*	*	*
RP350-80-2000-S	80	2000	20.00		✓		4.00"(102)	8.36"(212)	3.25"(83)
RP350-80-2000-W	80	2000	20.00	✓			*	*	*
RP350-100-0-C	100	0	-			✓	*	*	*
RP350-100-0-S	100	0	-		✓		4.00"(102)	9.03"(229)	3.25"(83)
RP350-100-0-W	100	0	-	✓			*	*	*
RP350-100-10-C	100	10	0.10			✓	*	*	*
RP350-100-10-S	100	10	0.10		✓		4.00"(102)	9.03"(229)	3.25"(83)
RP350-100-10-W	100	10	0.10	✓			*	*	*
RP350-100-100-C	100	100	1.00			✓	*	*	*
RP350-100-100-S	100	100	1.00		✓		4.00"(102)	9.03"(229)	3.25"(83)
RP350-100-100-W	100	100	1.00	✓			*	*	*
RP350-100-1000-C	100	1000	10.00			✓	*	*	*
RP350-100-1000-S	100	1000	10.00		✓		4.00"(102)	9.03"(229)	3.25"(83)
RP350-100-1000-W	100	1000	10.00	✓			*	*	*
RP350-100-2000-C	100	2000	20.00			✓	*	*	*

**ADDITIONAL MODEL NO. >>**

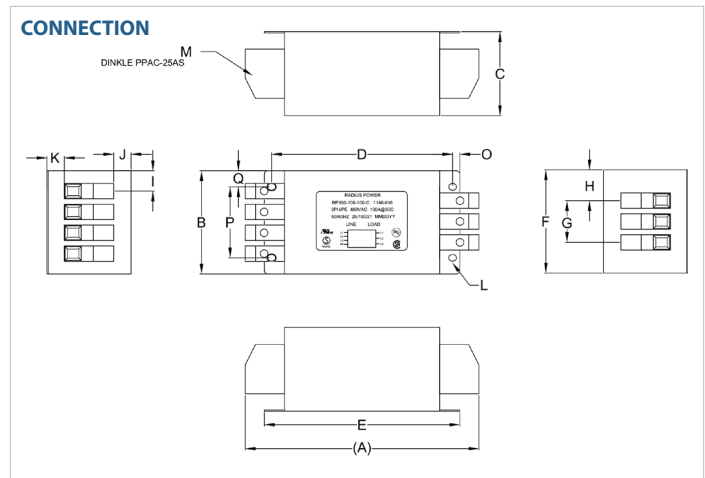
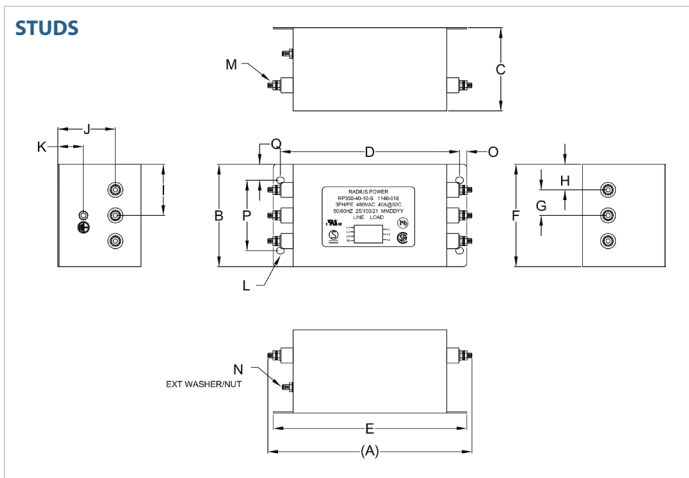
# RP350

## 3-PHASE DELTA COMPACT SINGLE STAGE POWER LINE FILTER

MODEL NO.	RATED CURRENT, A @ 40° C	Y-CAP, nF	LEAKAGE CURRENT mA, @ 480V AC/60 Hz	TERMINAL OPTIONS			MAX. DIMENSIONS" (MM)		
				(W) INPUT/OUTPUT	(S) INPUT/OUTPUT	(C) INPUT/OUTPUT	WIDTH	(LENGTH)	HEIGHT
RP350-100-2000-S	100	2000	20.00		✓		4.00"(102)	9.03"(229)	3.25"(83)
RP350-100-2000-W	100	2000	20.00	✓			*	*	*

\*Contact factory for dimensions.

### RP350 MECHANICAL OUTLINES (MM)



SERIES	(A)	B	C	D	E	F	G	H	I	J	K	L	M	N	O	P	Q
<b>STUDS (20/40/60A)</b>	7.97" (202)	4.00" (102)	3.25" (83)	7.00" (178)	7.56" (192)	4.00" (102)	1.00" (25)	1.00" (25)	2.00" (51)	2.25" (57)	1.00" (25)	Ø 0.25" (6.4x7.6, 4x)	STUD M5, 6x	STUD GND M5	0.28" (7)	2.75" (70)	0.63" (16)
<b>STUDS (80A)</b>	8.36" (212)	4.00" (102)	3.25" (83)	7.00" (178)	7.56" (192)	4.00" (102)	1.00" (25)	1.00" (25)	2.00" (51)	2.25" (57)	1.00" (25)	Ø 0.29" (7.6x6.4, 4x)	STUD, M6, 6x	STUD, GND, M6	0.28" (7)	2.75" (70)	0.63" (16)
<b>STUDS (100A)</b>	9.03" (229)	4.00" (102)	3.25" (83)	7.00" (178)	7.56" (192)	4.00" (102)	1.61" (41)	1.19" (30)	0.79" (20)	0.67" (17)	0.67" (17)	Ø 0.29" (7.6x6.4, 4x)	CONNECTOR, 7x	N/A	0.28" (7)	2.75" (70)	0.63" (16)

TYPICAL TOLERANCE: +/-0.02" (0.50MM)

# RP350

## 3-PHASE DELTA COMPACT SINGLE STAGE POWER LINE FILTER

### TYPICAL INSERTION LOSS, dB (50/50 Ohm)

Amps	Freq (MHz)	0.15	0.5	1.0	10	30
20	CM (dB)	60	70	65	60	40
	DM (dB)	55	70	70	70	60
40	CM (dB)	45	55	55	50	40
	DM (dB)	46	65	70	70	60
60	CM (dB)	42	52	55	50	40
	DM (dB)	40	60	65	65	60
80	CM (dB)	36	50	50	48	40
	DM (dB)	36	55	55	58	50
100	CM (dB)	30	48	50	46	35
	DM (dB)	30	50	50	45	45

## X-ON Electronics

Largest Supplier of Electrical and Electronic Components

*Click to view similar products for [Power Line Filters](#) category:*

*Click to view products by [Astrodyne](#) manufacturer:*

Other Similar products are found below :

[6609019-3](#) [6609026-5](#) [6609030-6](#) [6609973-2](#) [D30A](#) [7-1609090-5](#) [F2810](#) [F4456A](#) [F7382Z](#) [F7863Z](#) [FAHAV3100ZC000](#) [806276](#) [FN2020B-1-06](#) [FN2080B-10-06](#) [FN2410H-32-33](#) [FN2410H-80-34](#) [FP144](#) [FS4153-20-06](#) [FS4353-500-99](#) [12-MMB-030-11-D](#) [DB4-393](#) [15811T200](#)  
[20B1](#) [LC630](#) [2B1](#) [1609080-2](#) [1609993-8](#) [1-6609070-1](#) [F1100AA02](#) [F1150CC10](#) [F1500CA10](#) [F1500CA15](#) [F4041Z](#) [F7585E](#) [1B1](#)  
[FN2070A-16-06](#) [FN2090A-20-06](#) [FN2090B-12-06](#) [FN2090Z-1-06](#) [FN2410H-25-33](#) [FN2410H-60-34](#) [FN2410H-8-44](#) [FN2412H-8-44](#)  
[FN323B-6-01](#) [FN610R-3-06](#) [20EHQ7](#) [20EHZ7](#) [20K1](#) [30B6](#) [3K1](#)