

RP410

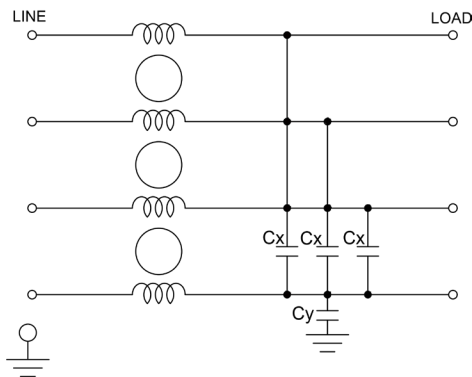
ULTRA COMPACT 3-PHASE **WYE** SINGLE STAGE POWER LINE FILTER

FEATURES

- » Rated currents include **6A, 10A, and 20A**
- » Single Stage Line Filter
- » Available with **QD** (tabs), **W** (wires), and **S** (studs)
- » Ultra Compact Design
- » Agency Approved to UL1283 / 60929, CSA C22.2, EN 60939
- » Y-cap value can be adjusted to fit specification

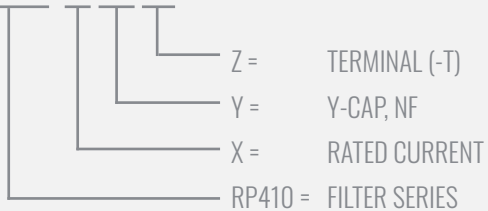


ELECTRICAL SCHEMATIC



HOW TO ORDER

RP410- X - Y - Z



NOTE: USE ANY COMBINATION OF -X (AMPS) WITH ANY -Y RATINGS
E.G. **RP410-6-10-QD**(6AMPS WITH 10 NF YCAP)

For **X, Y** and **Z** options see product specification table.

SPECIFICATIONS

OPERATING FREQUENCY	50/60Hz
USABLE FREQUENCY	DC - 400 Hz
MAX. OPERATING VOLTAGE	480V +10%
AMBIENT TEMPERATURE	-25 TO 40°C
CLIMATIC CATEGORY	25/100/21
TERMINALS (-T)	QD: 0.25" TABS WIRE LEADS STUDS (M5)

TYP. WEIGHT, LBS (KG) 0.7 (0.3)

TYPICAL LEAKAGE CURRENT

@ 480 VAC 60 Hz 0 - 1.0 mA Max.

HIPOT RATINGS

LINE TO GROUND 3500 VDC

TYPICAL APPLICATIONS

- ✓ Laser products
- ✓ Industrial automation equipment
- ✓ Industrial lighting
- ✓ Testing and measurement devices
- ✓ Ultrasonic cleaners

RP410

ULTRA COMPACT 3-PHASE **WYE** SINGLE STAGE POWER LINE FILTER

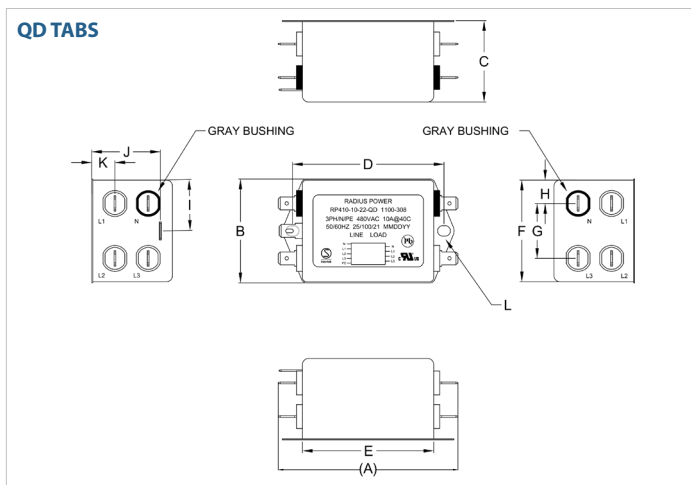
MODEL NO.	RATED CURRENT, A @ 40° C	Y-CAP, nF	LEAKAGE CURRENT mA, @ 480V AC/60 Hz	TERMINAL OPTIONS			MAX. DIMENSIONS" (MM)		
				(QD) INPUT/ OUTPUT	(W) INPUT/ OUTPUT	(S) INPUT/ OUTPUT	WIDTH	(LENGTH)	HEIGHT
RP410-6-0-QD	6	0	-	✓			2.01"(51)	3.50"(89)	1.57"(40)
RP410-6-0-S	6	0	-			✓	*	*	*
RP410-6-0-W	6	0	-		✓		*	*	*
RP410-6-10-QD	6	10	0.10	✓			2.01"(51)	3.50"(89)	1.57"(40)
RP410-6-10-S	6	10	0.10			✓	*	*	*
RP410-6-10-W	6	10	0.10		✓		*	*	*
RP410-6-22-QD	6	22	0.20	✓			2.01"(51)	3.50"(89)	1.57"(40)
RP410-6-22-S	6	22	0.20			✓	*	*	*
RP410-6-22-W	6	22	0.20		✓		*	*	*
RP410-10-0-QD	10	0	-	✓			2.01"(51)	3.50"(89)	1.57"(40)
RP410-10-0-S	10	0	-			✓	*	*	*
RP410-10-0-W	10	0	-		✓		*	*	*
RP410-10-10-QD	10	10	0.10	✓			2.01"(51)	3.50"(89)	1.57"(40)
RP410-10-10-S	10	10	0.10			✓	*	*	*
RP410-10-10-W	10	10	0.10		✓		*	*	*
RP410-10-22-QD	10	22	0.20	✓			2.01"(51)	3.50"(89)	1.57"(40)
RP410-10-22-S	10	22	0.20			✓	*	*	*
RP410-10-22-W	10	22	0.20		✓		*	*	*
RP410-20-0-QD	20	0	-	✓			2.01"(51)	3.50"(89)	1.57"(40)
RP410-20-0-S	20	0	-			✓	*	*	*
RP410-20-0-W	20	0	-		✓		*	*	*
RP410-20-10-QD	20	10	0.10	✓			2.01"(51)	3.50"(89)	1.57"(40)
RP410-20-10-S	20	10	0.10			✓	*	*	*
RP410-20-10-W	20	10	0.10		✓		*	*	*
RP410-20-22-QD	20	22	0.20	✓			2.01"(51)	3.50"(89)	1.57"(40)
RP410-20-22-S	20	22	0.20			✓	*	*	*
RP410-20-22-W	20	22	0.20		✓		*	*	*

*Contact factory for dimensions.

RP410

ULTRA COMPACT 3-PHASE **WYE** SINGLE STAGE POWER LINE FILTER

RP410 MECHANICAL OUTLINES (MM)



SERIES	(A)	B	C	D	E	F	G	H	I	J	K	L	M
QD TABS	3.50" (89)	2.01" (51)	1.57" (40)	2.95" (75)	2.56" (65)	1.97" (50)	1.06" (27)	0.45" (12)	0.98" (25)	1.34" (34)	0.45" (12)	Ø , 0.20"x0.24", 2x (Ø , 5.3x6.3, 2x)	0.25", 9x (QD, 6.35, 9x)

TYPICAL TOLERANCE: +/-0.02" (0.50MM)

TYPICAL INSERTION LOSS, dB (50/50 Ohm)

Amps	Freq (MHz)	0.15	0.5	1.0	10	30
		6	CM (dB)	26	40	45
	DM (dB)	16	28	35	55	55
10	CM (dB)	16	30	35	40	36
	DM (dB)	16	26	32	54	56
20	CM (dB)	10	20	30	40	45
	DM (dB)	16	24	32	52	55

X-ON Electronics

Largest Supplier of Electrical and Electronic Components

Click to view similar products for [Power Line Filters](#) category:

Click to view products by [Astrodyne](#) manufacturer:

Other Similar products are found below :

[6609019-3](#) [6609026-5](#) [6609030-6](#) [6609973-2](#) [D30A](#) [7-1609090-5](#) [F2810](#) [F4456A](#) [F7382Z](#) [F7863Z](#) [FAHAV3100ZC000](#) [806276](#) [FN2020B-1-06](#) [FN2080B-10-06](#) [FN2410H-32-33](#) [FN2410H-80-34](#) [FP144](#) [FS4153-20-06](#) [FS4353-500-99](#) [12-MMB-030-11-D](#) [DB4-393](#) [15811T200](#) [20B1](#) [LC630](#) [2B1](#) [1609080-2](#) [1609993-8](#) [1-6609070-1](#) [F1100AA02](#) [F1150CC10](#) [F1500CA10](#) [F1500CA15](#) [F4041Z](#) [F7585E](#) [1B1](#) [FN2070A-16-06](#) [FN2090A-20-06](#) [FN2090B-12-06](#) [FN2090Z-1-06](#) [FN2410H-25-33](#) [FN2410H-60-34](#) [FN2410H-8-44](#) [FN2412H-8-44](#) [FN323B-6-01](#) [FN3258H-130-35](#) [FN610R-3-06](#) [20EHQ7](#) [20EHZ7](#) [20K1](#) [30B6](#)