

# RP615

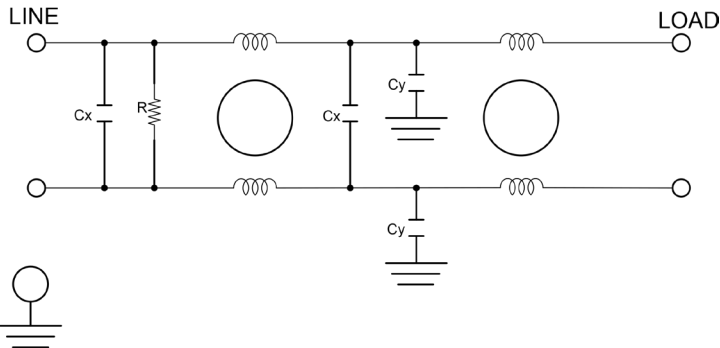
## HIGH PERFORMANCE DUAL STAGE DC POWER LINE FILTER

### FEATURES

- » Rated currents include **3A, 6A, 10A, and 20A**
- » Dual Stage Line Filter
- » Available with **QD** (tabs), **W** (wires), and **S** (studs) option
- » High Performance Design
- » Agency Approved to UL1283 / 60929, CSA C22.2, EN 60939
- » Y-cap value can be adjusted to fit specification



### ELECTRICAL SCHEMATIC



### SPECIFICATIONS

|                               |  |
|-------------------------------|--|
| <b>MAX. OPERATING VOLTAGE</b> | 250V +10%  |
| <b>AMBIENT TEMPERATURE</b>    | -25 TO 55°C                                      |
| <b>CLIMATIC CATEGORY</b>      | 25/100/21  |
| <b>TERMINALS (-T)</b>         | QD TABS: 0.25"<br>WIRE LEADS<br>STUDS 3-20A (M4) |
| <b>TYP. WEIGHT, LBS (KG)</b>  | 0.8 (0.4)  |

### HIPOT RATINGS

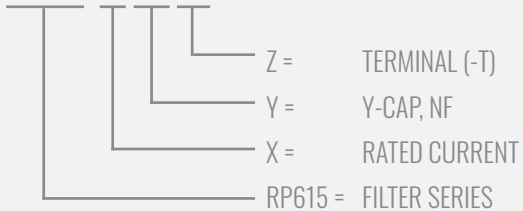
|                       |          |
|-----------------------|----------|
| <b>LINE TO GROUND</b> | 1800 VDC |
|-----------------------|----------|

### TYPICAL APPLICATIONS

- ✓ High power rectifiers
- ✓ Uninterrupted power supplies
- ✓ Inverters
- ✓ VFD
- ✓ PWM

### HOW TO ORDER

RP615- X - Y - Z



**NOTE:** USE ANY COMBINATION OF -X (AMPS) WITH ANY -Y RATINGS  
E.G. **RP615-20-1000-S** (20AMPS WITH 1000 NF YCAP)

For **X**, **Y**, and **Z** options see product specification table.

# RP615

## HIGH PERFORMANCE DUAL STAGE DC POWER LINE FILTER

| MODEL NO.        | RATED CURRENT, A @ 40° C | Y-CAP, nF | TERMINAL OPTIONS   |                   |                   | MAX. DIMENSIONS" (MM) |            |           |
|------------------|--------------------------|-----------|--------------------|-------------------|-------------------|-----------------------|------------|-----------|
|                  |                          |           | (QD) INPUT/ OUTPUT | (W) INPUT/ OUTPUT | (S) INPUT/ OUTPUT | WIDTH                 | (LENGTH)   | HEIGHT    |
| RP615-3-10-QD    | 3                        | 10        | ✓                  |                   |                   | 2.24"(57)             | 4.56"(116) | 1.77"(45) |
| RP615-3-10-S     | 3                        | 10        |                    |                   | ✓                 | 2.24"(57)             | 5.00"(127) | 1.77"(45) |
| RP615-3-10-W     | 3                        | 10        |                    | ✓                 |                   | *                     | *          | *         |
| RP615-3-100-QD   | 3                        | 100       | ✓                  |                   |                   | 2.24"(57)             | 4.56"(116) | 1.77"(45) |
| RP615-3-100-S    | 3                        | 100       |                    |                   | ✓                 | 2.24"(57)             | 5.00"(127) | 1.77"(45) |
| RP615-3-100-W    | 3                        | 100       |                    | ✓                 |                   | *                     | *          | *         |
| RP615-3-1000-QD  | 3                        | 1000      | ✓                  |                   |                   | 2.24"(57)             | 4.56"(116) | 1.77"(45) |
| RP615-3-1000-S   | 3                        | 1000      |                    |                   | ✓                 | 2.24"(57)             | 5.00"(127) | 1.77"(45) |
| RP615-3-1000-W   | 3                        | 1000      |                    | ✓                 |                   | *                     | *          | *         |
| RP615-6-10-QD    | 6                        | 10        | ✓                  |                   |                   | 2.24"(57)             | 4.56"(116) | 1.77"(45) |
| RP615-6-10-S     | 6                        | 10        |                    |                   | ✓                 | 2.24"(57)             | 5.00"(127) | 1.77"(45) |
| RP615-6-10-W     | 6                        | 10        |                    | ✓                 |                   | *                     | *          | *         |
| RP615-6-100-QD   | 6                        | 100       | ✓                  |                   |                   | 2.24"(57)             | 4.56"(116) | 1.77"(45) |
| RP615-6-100-S    | 6                        | 100       |                    |                   | ✓                 | 2.24"(57)             | 5.00"(127) | 1.77"(45) |
| RP615-6-100-W    | 6                        | 100       |                    | ✓                 |                   | *                     | *          | *         |
| RP615-6-1000-QD  | 6                        | 1000      | ✓                  |                   |                   | 2.24"(57)             | 4.56"(116) | 1.77"(45) |
| RP615-6-1000-S   | 6                        | 1000      |                    |                   | ✓                 | 2.24"(57)             | 5.00"(127) | 1.77"(45) |
| RP615-6-1000-W   | 6                        | 1000      |                    | ✓                 |                   | *                     | *          | *         |
| RP615-10-10-QD   | 10                       | 10        | ✓                  |                   |                   | 2.24"(57)             | 4.56"(116) | 1.77"(45) |
| RP615-10-10-S    | 10                       | 10        |                    |                   | ✓                 | 2.24"(57)             | 5.00"(127) | 1.77"(45) |
| RP615-10-10-W    | 10                       | 10        |                    | ✓                 |                   | *                     | *          | *         |
| RP615-10-100-QD  | 10                       | 100       | ✓                  |                   |                   | 2.24"(57)             | 4.56"(116) | 1.77"(45) |
| RP615-10-100-S   | 10                       | 100       |                    |                   | ✓                 | 2.24"(57)             | 5.00"(127) | 1.77"(45) |
| RP615-10-100-W   | 10                       | 100       |                    | ✓                 |                   | *                     | *          | *         |
| RP615-10-1000-QD | 10                       | 1000      | ✓                  |                   |                   | 2.24"(57)             | 4.56"(116) | 1.77"(45) |
| RP615-10-1000-S  | 10                       | 1000      |                    |                   | ✓                 | 2.24"(57)             | 5.00"(127) | 1.77"(45) |
| RP615-10-1000-W  | 10                       | 1000      |                    | ✓                 |                   | *                     | *          | *         |
| RP615-20-10-QD   | 20                       | 10        | ✓                  |                   |                   | 2.24"(57)             | 4.61"(117) | 1.77"(45) |
| RP615-20-10-S    | 20                       | 10        |                    |                   | ✓                 | 2.24"(57)             | 5.00"(127) | 1.77"(45) |
| RP615-20-10-W    | 20                       | 10        |                    | ✓                 |                   | *                     | *          | *         |
| RP615-20-100-QD  | 20                       | 100       | ✓                  |                   |                   | 2.24"(57)             | 4.61"(117) | 1.77"(45) |
| RP615-20-100-S   | 20                       | 100       |                    |                   | ✓                 | 2.24"(57)             | 5.00"(127) | 1.77"(45) |
| RP615-20-100-W   | 20                       | 100       |                    | ✓                 |                   | *                     | *          | *         |
| RP615-20-1000-QD | 20                       | 1000      | ✓                  |                   |                   | 2.24"(57)             | 4.61"(117) | 1.77"(45) |

**ADDITIONAL MODEL NO. >>**

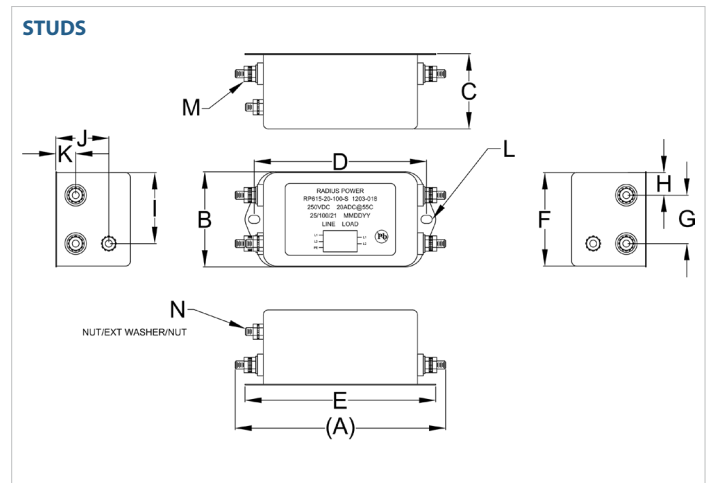
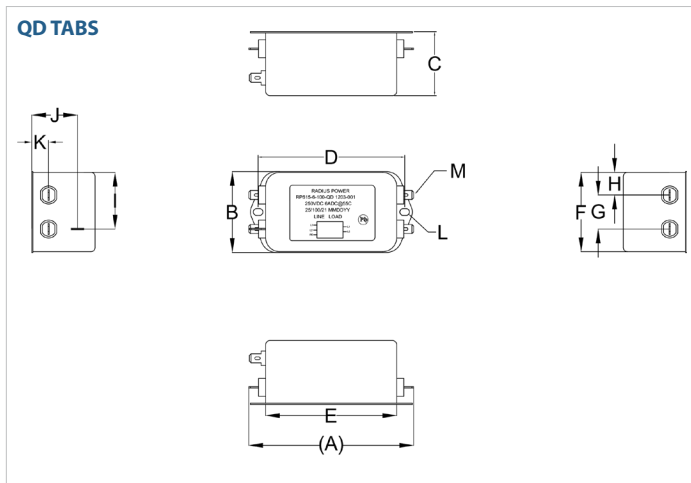
# RP615

## HIGH PERFORMANCE DUAL STAGE DC POWER LINE FILTER

| MODEL NO.       | RATED CURRENT, A @ 40° C | Y-CAP, nF | TERMINAL OPTIONS  |                  |                  | MAX. DIMENSIONS" (MM) |            |           |
|-----------------|--------------------------|-----------|-------------------|------------------|------------------|-----------------------|------------|-----------|
|                 |                          |           | (QD) INPUT/OUTPUT | (W) INPUT/OUTPUT | (S) INPUT/OUTPUT | WIDTH                 | (LENGTH)   | HEIGHT    |
| RP615-20-1000-S | 20                       | 1000      |                   |                  | ✓                | 2.24"(57)             | 5.00"(127) | 1.77"(45) |
| RP615-20-1000-W | 20                       | 1000      |                   | ✓                |                  | *                     | *          | *         |

\*Contact factory for dimensions.

### RP615 MECHANICAL OUTLINES (MM)



| SERIES                   | (A)            | B             | C             | D              | E              | F             | G             | H             | I             | J             | K             | L                                   | M                               | N             |
|--------------------------|----------------|---------------|---------------|----------------|----------------|---------------|---------------|---------------|---------------|---------------|---------------|-------------------------------------|---------------------------------|---------------|
| <b>QD TABS (3/6/10A)</b> | 4.56"<br>(116) | 2.24"<br>(57) | 1.77"<br>(45) | 4.09"<br>(104) | 3.66"<br>(93)  | 2.20"<br>(56) | 0.94"<br>(24) | 0.63"<br>(16) | 1.57"<br>(40) | 1.28"<br>(33) | 0.47"<br>(12) | Ø0.26", 2x<br>(Ø 6.80, 2x)          | 0.25", 5x<br>QD, MALE, 6.35, 5x | N/A           |
| <b>STUDS (20A)</b>       | 5.00"<br>(127) | 2.24"<br>(57) | 1.77"<br>(45) | 4.09"<br>(104) | 4.53"<br>(115) | 2.20"<br>(56) | 1.14"<br>(29) | 0.53"<br>(14) | 1.67"<br>(43) | 1.26"<br>(32) | 0.47"<br>(12) | Ø0.26"X0.18", 2x<br>(Ø 6.8x4.8, 2x) | STUD, M5, 4x                    | STUD, GND, M5 |
| <b>QDTABS (20A)</b>      | 4.61"<br>(117) | 2.24"<br>(57) | 1.77"<br>(45) | 4.09"<br>(104) | 3.66"<br>(93)  | 2.20"<br>(56) | 0.94"<br>(24) | 0.63"<br>(16) | 1.57"<br>(40) | 1.28"<br>(33) | 0.47"<br>(12) | Ø0.26"X0.18", 2x<br>(Ø 6.8x4.8, 2x) | 0.25", 5x<br>QD, MALE, 6.35, 5x | N/A           |

TYPICAL TOLERANCE: +/-0.02" (0.50MM)

# RP615

## HIGH PERFORMANCE DUAL STAGE **DC** POWER LINE FILTER

### TYPICAL INSERTION LOSS, dB (50/50 Ohm)

| Amps | Freq (MHz) | 0.15 | 0.5 | 1.0 | 10 | 30 |
|------|------------|------|-----|-----|----|----|
| 3    | CM (dB)    | 60   | 70  | 70  | 52 | 50 |
|      | DM (dB)    | 50   | 60  | 68  | 60 | 60 |
| 6    | CM (dB)    | 60   | 70  | 70  | 52 | 50 |
|      | DM (dB)    | 50   | 60  | 68  | 60 | 60 |
| 10   | CM (dB)    | 55   | 70  | 70  | 50 | 50 |
|      | DM (dB)    | 45   | 60  | 60  | 70 | 65 |
| 20   | CM (dB)    | 40   | 65  | 70  | 52 | 40 |
|      | DM (dB)    | 34   | 58  | 60  | 65 | 60 |

## X-ON Electronics

Largest Supplier of Electrical and Electronic Components

*Click to view similar products for [Power Line Filters](#) category:*

*Click to view products by [Astrodyne](#) manufacturer:*

Other Similar products are found below :

[6609019-3](#) [6609026-5](#) [6609030-6](#) [6609973-2](#) [D30A](#) [7-1609090-5](#) [F2810](#) [F4456A](#) [F7382Z](#) [F7863Z](#) [FAHAV3100ZC000](#) [806276](#) [FN2020B-1-06](#) [FN2080B-10-06](#) [FN2410H-32-33](#) [FN2410H-80-34](#) [FP144](#) [FS4153-20-06](#) [FS4353-500-99](#) [12-MMB-030-11-D](#) [DB4-393](#) [15811T200](#) [20B1](#) [LC630](#) [2B1](#) [1609080-2](#) [1609993-8](#) [1-6609070-1](#) [F1100AA02](#) [F1150CC10](#) [F1500CA10](#) [F1500CA15](#) [F4041Z](#) [F7585E](#) [1B1](#) [FN2070A-16-06](#) [FN2090A-20-06](#) [FN2090B-12-06](#) [FN2090Z-1-06](#) [FN2410H-25-33](#) [FN2410H-60-34](#) [FN2410H-8-44](#) [FN2412H-8-44](#) [FN323B-6-01](#) [FN3258H-130-35](#) [FN610R-3-06](#) [20EHQ7](#) [20EHZ7](#) [20K1](#) [30B6](#)