

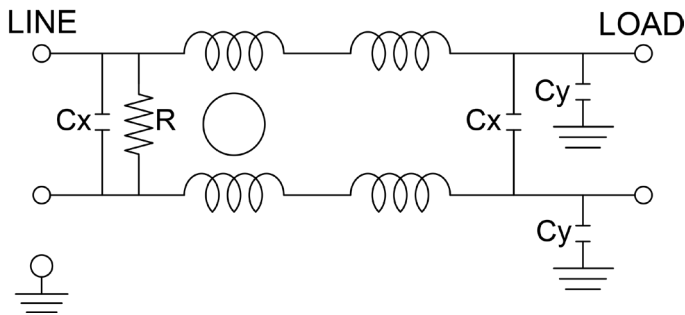
RPM7000

MIL/COTS AC, SINGLE PHASE EMI POWER LINE FILTER

FEATURES

- » Rated currents include **5A, 10A, 20A, 30A, and 50A**
- » Dual Stage Line Filter
- » Available with **S** (studs)
- » Agency Approved to RoHS
- » Y-cap value can be adjusted to fit specification

ELECTRICAL SCHEMATIC



HOW TO ORDER

RPM7000 - Y - Z

Z = TERMINAL (-T)
X = RATED CURRENT

RPM7000=FILTER SERIES

NOTE: USE ANY COMBINATION OF -X (AMPS) WITH ANY -Y RATINGS

E.G. **RPM7000-5-S** (5AMPS)

For **X** and **Y** options see product specification table.



SPECIFICATIONS

OPERATING FREQUENCY	47-400 Hz DC
MAX. OPERATING VOLTAGE*	300 VAC +10%
AMBIENT TEMPERATURE	-40 TO 70°C
CLIMATIC CATEGORY	25/100/21
TERMINALS (-T)	STUDS: 5-30A (M5) 50A (M6)

TYP. WEIGHT, LBS (KG)	0.4 - 3.7(0.2 - 1.8)
-----------------------	----------------------

TYPICAL LEAKAGE CURRENT

@ 250 VAC 60 Hz	0 - 3.50 mA Max.
-----------------	------------------

HIPOT RATINGS

LINE TO GROUND	1800 VDC
----------------	----------

TYPICAL APPLICATIONS

- ✓ Mil-461/ DO-160

NOTE:

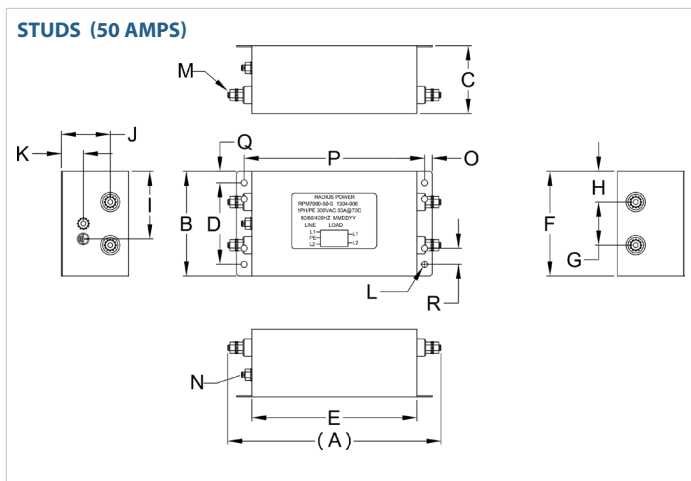
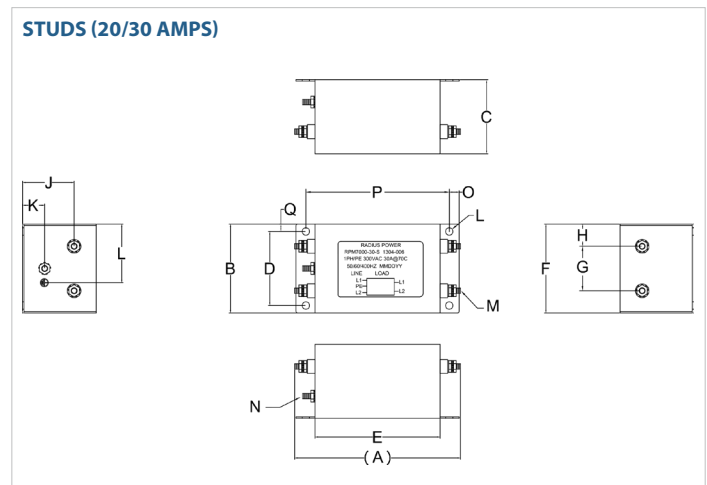
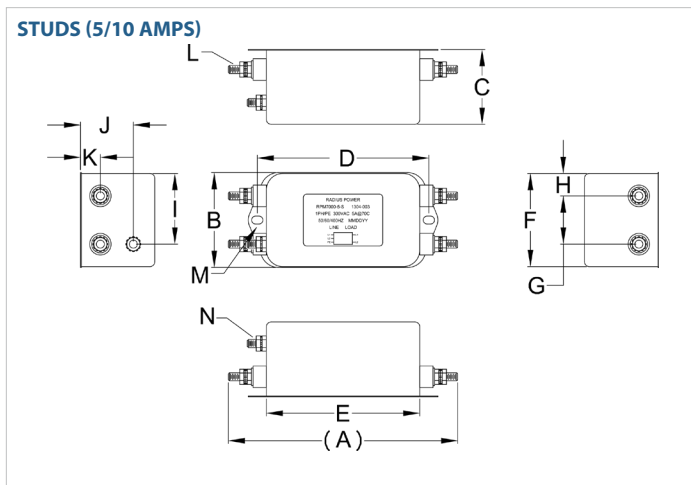
- ✓ Call for other termination types (e.g. Circular Mil-Connectors, etc.) Leakage current is determined by the line to ground capacitors in the filter. The capacitors can be easily varied to match the system leakage requirements.

RPM7000

MIL/COTS AC, SINGLE PHASE EMI POWER LINE FILTER

MODEL NO.	RATED CURRENT, A @ 40° C	LEAKAGE CURRENT, mA @ 250V AC, 60 Hz	TERMINAL OPTIONS			MOUNTING FLANGE	MAX. DIMENSIONS" (MM)		
			(W) INPUT/OUTPUT	(S) INPUT/OUTPUT	(C) INPUT/OUTPUT		WIDTH	(LENGTH)	HEIGHT
RPM7000-5-S	5	3.50		✓		✓	2.28"(58)	5.47"(139)	1.81"(46)
RPM7000-10-S	10	3.50		✓		✓	2.28"(58)	5.47"(139)	1.81"(46)
RPM7000-20-S	20	3.50		✓		✓	3.00"(76)	5.63"(143)	2.50"(64)
RPM7000-30-S	30	3.50		✓		✓	3.00"(76)	5.63"(143)	2.50"(64)
RPM7000-50-S 10NF	50	3.50		✓		✓	4.25"(108)	8.72"(221)	2.76"(70)

RPM7000 MECHANICAL OUTLINES (MM)



RPM7000

MIL/COTS AC, SINGLE PHASE EMI POWER LINE FILTER

SERIES	(A)	B	C	D	E	F	G	H	I	J	K	L	M	N	O	P	Q	R
STUDS (5/10A)	5.47" (139)	2.28" (58)	1.81" (46)	4.09" (104)	3.66" (93)	2.24" (57)	1.14" (29)	0.53" (14)	1.67" (43)	1.26" (32)	0.47" (12)	Ø0.26"x0.18", 2x (Ø6.8x4.8, 2x)	STUD, M5, 4x	STUD, GND, M5	N/A	N/A	N/A	0.00"
STUDS (20/30A)	5.63" (143)	3.00" (76)	2.50" (64)	2.50" (64)	4.25" (108)	3.00" (76)	1.50" (38)	0.75" (19)	1.98" (50)	1.75" (44)	0.75" (19)	Ø0.25", 4x (Ø6.35, 4x)	STUD, M5, 4x	STUD, GND, M5	0.34" (9)	4.87" (124)	0.25" (6)	0.00"
STUDS (50A)	8.72" (221)	4.25" (108)	2.76" (70)	3.31" (84)	6.75" (172)	4.25" (108)	1.75" (44)	1.25" (32)	2.75" (70)	2.00" (51)	0.91" (23)	0.25", 8x (Ø6.4, 8x)	STUD, M6, 4x	STUD, GND, M6	0.31" (8)	7.38" (187)	0.47" (12)	1.13" (29)

TYPICAL TOLERANCE: +/-0.02" (0.50MM)

TYPICAL INSERTION LOSS, dB (50/50 Ohm)

Amps	Freq (MHz)	Insertion Loss (dB)				
		0.15	0.5	1.0	10	30
5	CM (dB)	32	50	50	45	30
	DM (dB)	42	60	60	40	30
10	CM (dB)	32	50	50	45	30
	DM (dB)	42	60	60	40	30
20	CM (dB)	32	50	50	45	30
	DM (dB)	42	60	60	40	30
30	CM (dB)	32	50	50	45	30
	DM (dB)	42	60	60	40	30
50	CM (dB)	32	50	50	45	30
	DM (dB)	42	60	60	40	30

X-ON Electronics

Largest Supplier of Electrical and Electronic Components

Click to view similar products for [Power Line Filters](#) category:

Click to view products by [Astrodyne](#) manufacturer:

Other Similar products are found below :

[6609019-3](#) [6609026-5](#) [6609030-6](#) [6609973-2](#) [D30A](#) [7-1609090-5](#) [F2810](#) [F4456A](#) [F7382Z](#) [F7863Z](#) [FAHAV3100ZC000](#) [806276](#) [FN2020B-1-06](#) [FN2080B-10-06](#) [FN2410H-32-33](#) [FN2410H-80-34](#) [FP144](#) [FS4153-20-06](#) [FS4353-500-99](#) [12-MMB-030-11-D](#) [DB4-393](#) [15811T200](#) [20B1](#) [LC630](#) [2B1](#) [1609080-2](#) [1609993-8](#) [1-6609070-1](#) [F1100AA02](#) [F1150CC10](#) [F1500CA10](#) [F1500CA15](#) [F4041Z](#) [F7585E](#) [1B1](#) [FN2070A-16-06](#) [FN2090A-20-06](#) [FN2090B-12-06](#) [FN2090Z-1-06](#) [FN2410H-25-33](#) [FN2410H-60-34](#) [FN2410H-8-44](#) [FN2412H-8-44](#) [FN323B-6-01](#) [FN3258H-130-35](#) [FN610R-3-06](#) [20EHQ7](#) [20EHZ7](#) [20K1](#) [30B6](#)