

---

---

## Military Grade 1-Mbit (131,072 x 8) Paged Parallel EEPROM

---

---

### Features

---

- Fast Read Access Time: 120 ns
- Automatic Page Write Operation:
  - Internally organized as 131,072 x 8 (1 Mbit)
  - Internal address and data latches for 128 bytes
  - Internal control timer
- Fast Write Cycle Time:
  - Page Write cycle time: 10 ms maximum
  - 1 to 128-byte Page Write operation
- Low-Power Dissipation:
  - 80 mA active current
  - 300  $\mu$ A CMOS standby current
- Hardware and Software Data Protection
- $\overline{\text{DATA}}$  Polling for End of Write Detection
- High Reliability CMOS Technology:
  - Endurance: 10,000 or 100,000 cycles
  - Data retention: 10 years
- Single 5V  $\pm$  10% Supply
- CMOS and TTL Compatible Inputs and Outputs
- JEDEC<sup>®</sup> Approved Byte-Wide Pinout

### Packages

---

- 32-Lead CERDIP, 32-Lead Flatpack, 32-Lead CLCC and 30-Pin PGA

## Table of Contents

Features.....	1
Packages.....	1
1. Package Types (not to scale).....	4
2. Pin Descriptions.....	5
3. Description.....	6
3.1. Block Diagram.....	6
4. Electrical Characteristics.....	7
4.1. Absolute Maximum Ratings.....	7
4.2. DC and AC Operating Range.....	7
4.3. DC Characteristics.....	7
4.4. Pin Capacitance.....	8
5. Device Operation.....	9
5.1. Operating Modes.....	10
5.2. AC Read Characteristics.....	10
5.3. AC Read Waveforms.....	11
5.4. Input Test Waveforms and Measurement Level.....	11
5.5. Output Test Load.....	11
5.6. AC Write Characteristics.....	12
5.7. AC Write Waveforms.....	12
5.8. Page Mode Characteristics.....	13
5.9. Page Mode Write Waveforms <sup>(1,2)</sup> .....	14
5.10. Chip Erase Waveforms.....	14
5.11. Software Data Protection Enable Algorithm <sup>(1)</sup> .....	15
5.12. Software Data Protection Disable Algorithm <sup>(1)</sup> .....	16
5.13. Software Protected Program Cycle Waveform <sup>(1,2,3)</sup> .....	17
5.14. $\overline{\text{Data}}$ Polling Characteristics <sup>(1)</sup> .....	17
5.15. $\overline{\text{Data}}$ Polling Waveforms.....	18
5.16. Toggle Bit Characteristics <sup>(1)</sup> .....	18
5.17. Toggle Bit Waveforms.....	18
6. Packaging Information.....	20
6.1. Package Marking Information.....	20
7. Revision History.....	26
The Microchip Website.....	27
Product Change Notification Service.....	27
Customer Support.....	27
Product Identification System.....	28
Microchip Devices Code Protection Feature.....	29

Legal Notice..... 29

Trademarks..... 30

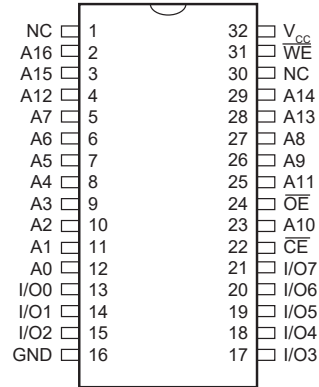
Quality Management System..... 30

Worldwide Sales and Service..... 31

### 1. Package Types (not to scale)

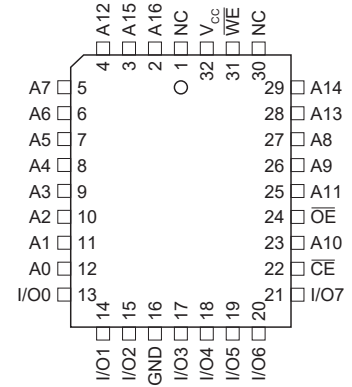
**32-Lead CERDIP**

Top View



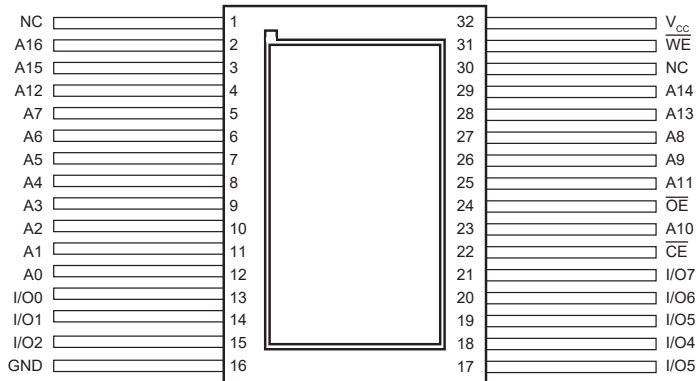
**32-Lead CLCC**

Top View



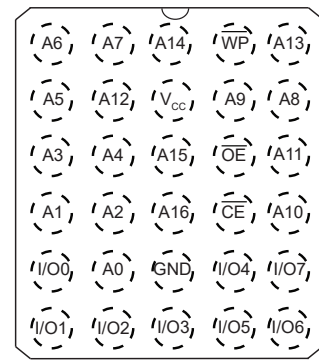
**32-Lead FLATPACK**

Top View



**30-Pin PGA**

Top View



## 2. Pin Descriptions

The descriptions of the pins are listed in [Table 2-1](#).

**Table 2-1. Pin Function Table**

Name	32-Lead CERDIP	32-Lead CLCC	32-Lead FLATPACK	30-Pin PGA	Function
NC	1	1	1	—	No Connect
A16	2	2	2	30	Address
A15	3	3	3	29	Address
A12	4	4	4	2	Address
A7	5	5	5	3	Address
A6	6	6	6	4	Address
A5	7	7	7	5	Address
A4	8	8	8	6	Address
A3	9	9	9	7	Address
A2	10	10	10	8	Address
A1	11	11	11	9	Address
A0	12	12	12	10	Address
I/O0	13	13	13	11	Data Input/Output
I/O1	14	14	14	12	Data Input/Output
I/O2	15	15	15	13	Data Input/Output
GND	16	16	16	14	Ground
I/O3	17	17	17	15	Data Input/Output
I/O4	18	18	18	16	Data Input/Output
I/O5	19	19	19	17	Data Input/Output
I/O6	20	20	20	18	Data Input/Output
I/O7	21	21	21	19	Data Input/Output
$\overline{CE}$	22	22	22	20	Chip Enable
A10	23	23	23	21	Address
$\overline{OE}$	24	24	24	22	Output Enable
A11	25	25	25	23	Address
A9	26	26	26	24	Address
A8	27	27	27	25	Address
A13	28	28	28	26	Address
A14	29	29	29	1	Address
NC	30	30	30	—	No Connect
$\overline{WE}$	31	31	31	27	Write Enable
V <sub>CC</sub>	32	32	32	28	Device Power Supply

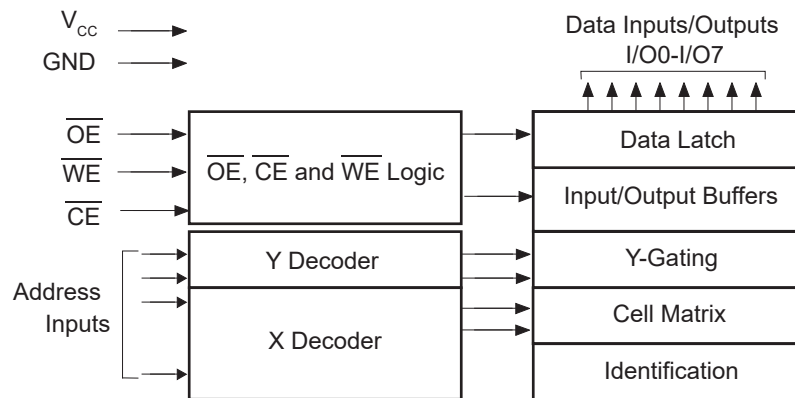
### 3. Description

The AT28C010 is a high-performance Electrically Erasable and Programmable Read-Only Memory (EEPROM). Its 1-Mb memory is organized as 131,072 words by 8 bits. Manufactured with Microchip's advanced nonvolatile CMOS technology, the device offers access times to 120 ns with power dissipation of just 440 mW. When the device is deselected, the CMOS standby current is less than 300  $\mu$ A.

The AT28C010 is accessed like a Static RAM for the read or write cycle without the need for external components. The device contains a 128-byte page register to allow writing of up to 128 bytes simultaneously. During a write cycle, the address and 1 to 128 bytes of data are internally latched, freeing the address and data bus for other operations. Following the initiation of a write cycle, the device will automatically write the latched data using an internal control timer. The end of a write cycle can be detected by  $\overline{\text{DATA}}$  Polling of I/O7. Once the end of a write cycle has been detected, a new access for a read or write can begin.

The AT28C010 has additional features to ensure high quality and manufacturability. The device utilizes internal error correction for extended endurance and improved data retention characteristics. An optional software data protection mechanism is available to guard against inadvertent writes. The device also includes an extra 128 bytes of EEPROM for device identification or tracking.

#### 3.1 Block Diagram



## 4. Electrical Characteristics

### 4.1 Absolute Maximum Ratings

Temperature under bias	-55°C to +125°C
Storage temperature	-65°C to +150°C
All input voltages (including NC pins) with respect to ground	-0.6V to +6.25V
All output voltages with respect to ground	-0.6V to $V_{CC} + 0.6V$
Voltage on $\overline{OE}$ and A9 with respect to ground	-0.6V to +13.5V

**Note:** Stresses above those listed under “Absolute Maximum Ratings” may cause permanent damage to the device. This is a stress rating only and functional operation of the device at these or any other conditions above those indicated in the operation listings of this specification is not implied. Exposure to absolute maximum rating conditions for extended periods may affect device reliability.

### 4.2 DC and AC Operating Range

Table 4-1. DC and AC Operating Range

		AT28C010-12	AT28C010-15	AT28C010-20	AT28C010-25
Operating Temperature (Case)	Military	-55°C to +125°C	-55°C to +125°C	-55°C to +125°C	-55°C to +125°C
$V_{CC}$ Power Supply		$5V \pm 10\%$	$5V \pm 10\%$	$5V \pm 10\%$	$5V \pm 10\%$

### 4.3 DC Characteristics

Table 4-2. DC Characteristics

Parameter	Symbol	Minimum	Maximum	Units	Test Conditions
Input Load Current	$I_{LI}$	—	10	$\mu A$	$V_{IN} = 0V$ to $V_{CC} + 1V$
Output Leakage Current	$I_{LO}$	—	10	$\mu A$	$V_{I/O} = 0V$ to $V_{CC}$
$V_{CC}$ Standby Current CMOS	$I_{SB1}$	—	300	$\mu A$	$\overline{CE} = V_{CC} - 0.3V$ to $V_{CC} + 1V$
$V_{CC}$ Standby Current TTL	$I_{SB2}$	—	3	mA	$\overline{CE} = 2.0V$ to $V_{CC} + 1V$
$V_{CC}$ Active Current	$I_{CC}$	—	80	mA	$f = 5$ MHz; $I_{OUT} = 0$ mA
Input Low Voltage	$V_{IL}$	—	0.8	V	
Input High Voltage	$V_{IH}$	2.0	—	V	
Output Low Voltage	$V_{OL}$	—	0.45	V	$I_{OL} = 2.1$ mA
Output High Voltage	$V_{OH1}$	2.4	—	V	$I_{OH} = -400$ $\mu A$
Output High Voltage CMOS	$V_{OH2}$	4.2	—	V	$I_{OH} = -100$ $\mu A$ ; $V_{CC} = 4.5V$

## 4.4 Pin Capacitance

Table 4-3. Pin Capacitance<sup>(1,2)</sup>

Symbol	Typical	Maximum	Units	Conditions
$C_{IN}$	4	10	pF	$V_{IN} = 0V$
$C_{OUT}$	8	12	pF	$V_{OUT} = 0V$

**Note:**

1. This parameter is characterized but is not 100% tested in production.
2.  $f = 1 \text{ MHz}$ ,  $T_A = 25^\circ\text{C}$



## 5. Device Operation

**READ:** The AT28C010 is accessed like a Static RAM. When  $\overline{CE}$  and  $\overline{OE}$  are low and  $\overline{WE}$  is high, the data stored at the memory location determined by the address pins is asserted on the outputs. The outputs are put in the high-impedance state when either  $\overline{CE}$  or  $\overline{OE}$  is high. This dual-line control gives designers flexibility in preventing bus contention in their system.

**BYTE WRITE:** A low pulse on the  $\overline{WE}$  or  $\overline{CE}$  input with  $\overline{CE}$  or  $\overline{WE}$  low (respectively) and  $\overline{OE}$  high initiates a write cycle. The address is latched on the falling edge of  $\overline{CE}$  or  $\overline{WE}$ , whichever occurs last. The data is latched by the first rising edge of  $\overline{CE}$  or  $\overline{WE}$ . Once a byte write is started, it will automatically time itself to completion. Once a programming operation is initiated and for the duration of  $t_{WC}$ , a read operation will effectively be a polling operation.

**PAGE WRITE:** The page write operation of the AT28C010 allows 1 to 128 bytes of data to be written into the device during a single internal programming period. A page write operation is initiated in the same manner as a byte write; the first byte written can then be followed by 1 to 127 additional bytes. Each successive byte must be written within 150  $\mu$ s ( $t_{BLC}$ ) of the previous byte. If the  $t_{BLC}$  limit is exceeded, the AT28C010 will cease accepting data and commence the internal programming operation. All bytes during a page write operation must reside on the same page as defined by the state of the A7-A16 inputs. For each  $\overline{WE}$  high-to-low transition during the page write operation, A7-A16 must be the same. The A0 to A6 inputs are used to specify which bytes within the page are to be written. The bytes may be loaded in any order and may be altered within the same load period. Only bytes which are specified for writing will be written; unnecessary cycling of other bytes within the page does not occur.

**DATA POLLING:** The AT28C010 features  $\overline{DATA}$  Polling to indicate the end of a write cycle. During a byte or page write cycle, an attempted read of the last byte written will result in the complement of the written data to be presented on I/O7. Once the write cycle has been completed, true data is valid on all outputs, and the next write cycle may begin.  $\overline{DATA}$  Polling may begin at anytime during the write cycle.

**TOGGLE BIT:** In addition to  $\overline{DATA}$  Polling, the AT28C010 provides another method for determining the end of a write cycle. During the write operation, successive attempts to read data from the device will result in I/O6 toggling between one and zero. Once the write has completed, I/O6 will stop toggling and valid data will be read. Reading the toggle bit may begin at any time during the write cycle.

**DATA PROTECTION:** If precautions are not taken, inadvertent writes may occur during transitions of the host system power supply. Microchip incorporated both hardware and software features that will protect the memory against inadvertent writes.

**HARDWARE PROTECTION:** Hardware features protect against inadvertent writes to the AT28C010 in the following ways:

- $V_{CC}$  sense – if  $V_{CC}$  is below 3.8V (typical), the write function is inhibited
- $V_{CC}$  power-on delay – once  $V_{CC}$  has reached 3.8V, the device will automatically time out 5 ms (typical) before allowing a write
- write inhibit – holding any one of  $\overline{OE}$  low,  $\overline{CE}$  high or  $\overline{WE}$  high inhibits write cycles
- noise filter – pulses of less than 15 ns (typical) on the  $\overline{WE}$  or  $\overline{CE}$  inputs will not initiate a write cycle

**SOFTWARE DATA PROTECTION:** A software-controlled data protection feature has been implemented on the AT28C010. When enabled, the software data protection (SDP) will prevent inadvertent writes. The SDP feature may be enabled or disabled by the user; the AT28C010 is shipped with SDP disabled.

SDP is enabled by the host system issuing a series of three write commands; three specific bytes of data are written to three specific addresses (refer to Software Data Protection Algorithm). After writing the 3-byte command sequence and after  $t_{WC}$ , the entire AT28C010 will be protected against inadvertent write operations. It should be noted that, once protected, the host may still perform a byte or page write to the AT28C010. This is done by preceding the data to be written by the same 3-byte command sequence used to enable SDP.

Once set, SDP will remain active unless the disable command sequence is issued. Power transitions do not disable SDP and SDP will protect the AT28C010 during power-up and power-down conditions. All command sequences must conform to the page write timing specifications. The data in the enable and disable command sequences is not written to the device and the memory addresses used in the sequence may be written with data in either a byte or page write operation.

After setting SDP, any attempt to write to the device without the 3-byte command sequence will start the internal write timers. No data will be written to the device; however, for the duration of  $t_{WC}$ , read operations will effectively be polling operations.

**DEVICE IDENTIFICATION:** An extra 128 bytes of EEPROM memory are available to the user for device identification. By raising A9 to  $12V \pm 0.5V$  and using address locations 1FF80H to 1FFFFH, the bytes may be written to or read from in the same manner as the regular memory array.

**OPTIONAL CHIP ERASE MODE:** The entire device can be erased using a 6-byte software code. See Software Chip Erase application note for details.

## 5.1 Operating Modes

**Table 5-1. Operating Modes**

Mode	$\overline{CE}$	$\overline{OE}$	WE	I/O
Read	$V_{IL}$	$V_{IL}$	$V_{IH}$	$D_{OUT}$
Write <sup>(1)</sup>	$V_{IL}$	$V_{IH}$	$V_{IL}$	$D_{IN}$
Standby/Write Inhibit	$V_{IH}$	X <sup>(2)</sup>	X	High-Z
Write Inhibit	X	X	$V_{IH}$	
Write Inhibit	X	$V_{IL}$	X	
Output Disable	X	$V_{IH}$	X	High-Z

**Note:**

1. Refer to AC Programming Waveforms.
2. X can be  $V_{IL}$  or  $V_{IH}$ .

## 5.2 AC Read Characteristics

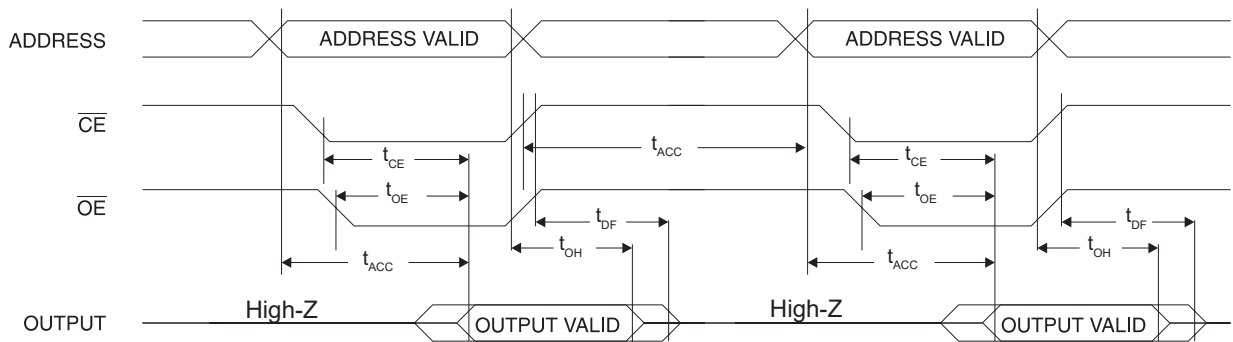
**Table 5-2. AC Read Characteristics**

Parameter	Symbol	AT28C010-12		AT28C010-15		AT28C010-20		AT28C010-25		Units
		Min.	Max.	Min.	Max.	Min.	Max.	Min.	Max.	
Address to Output Delay	$t_{ACC}$	—	120	—	150	—	200	—	250	ns
$\overline{CE}$ to Output Delay	$t_{CE}^{(1)}$	—	120	—	150	—	200	—	250	ns
$\overline{OE}$ to Output Delay	$t_{OE}^{(2)}$	0	50	0	55	0	55	0	55	ns
$\overline{CE}$ or $\overline{OE}$ to Output Float	$t_{DF}^{(3,4)}$	0	50	0	55	0	55	0	55	ns
Output Hold from $\overline{OE}$ , $\overline{CE}$ or Address, whichever occurred first	$t_{OH}$	0		0		0		0		ns
$\overline{CE}$ Pulse High Time	$t_{CEPH}^{(5)}$	50	—	50	—	50	—	50	—	ns

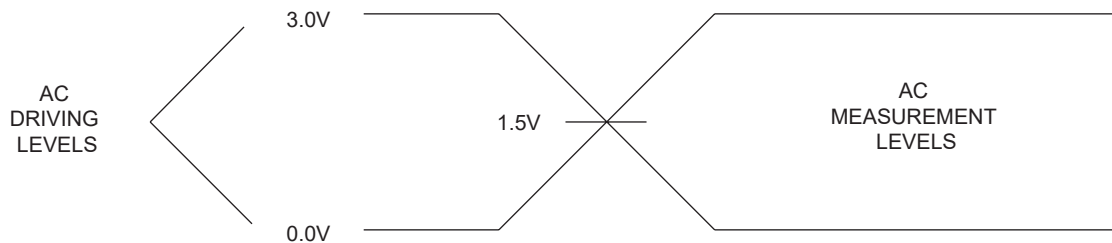
**Note:**

1.  $\overline{CE}$  may be delayed up to  $t_{ACC}-t_{CE}$  after the address transition without impact on  $t_{ACC}$ .
2.  $\overline{OE}$  may be delayed up to  $t_{CE}-t_{OE}$  after the falling edge of  $\overline{CE}$  without impact on  $t_{CE}$  or by  $t_{ACC}-t_{OE}$  after an address change without impact in  $t_{ACC}$ .
3.  $t_{DF}$  is specified from  $\overline{OE}$  or  $\overline{CE}$ , whichever occurs first ( $C_L = 5$  pF).
4. This parameter is characterized and is not 100% tested.
5. If  $\overline{CE}$  is de-asserted, it must remain de-asserted for at least 50 ns during read operations, otherwise incorrect data may be read.

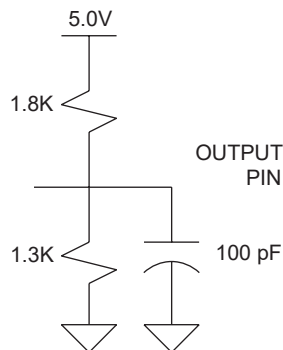
### 5.3 AC Read Waveforms



### 5.4 Input Test Waveforms and Measurement Level



### 5.5 Output Test Load



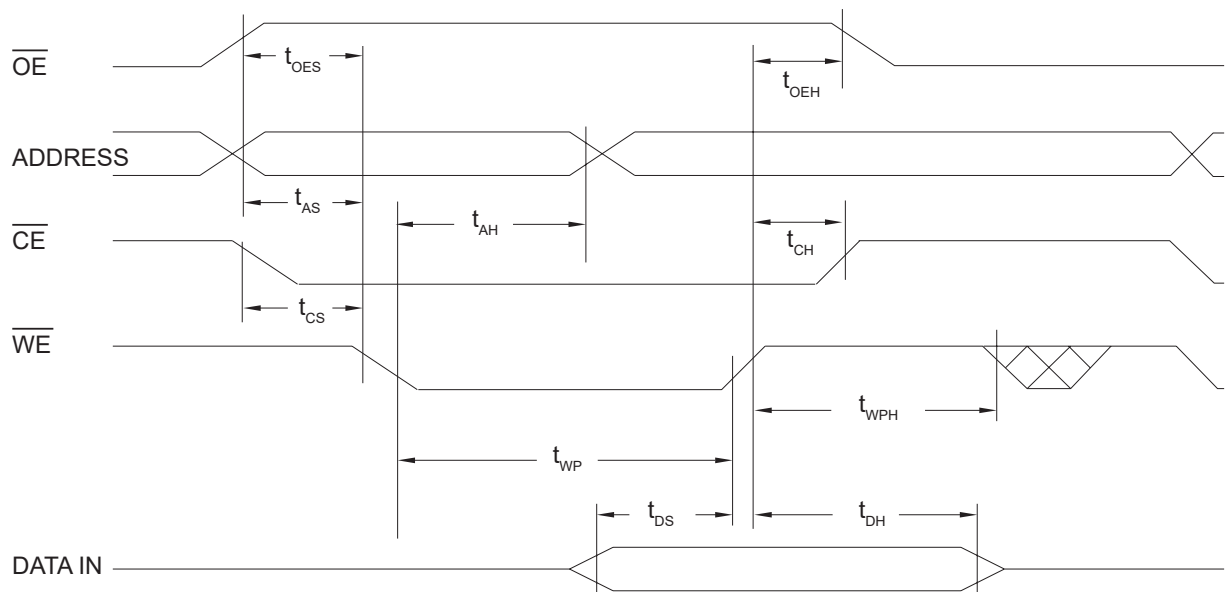
## 5.6 AC Write Characteristics

Table 5-3. AC Write Characteristics

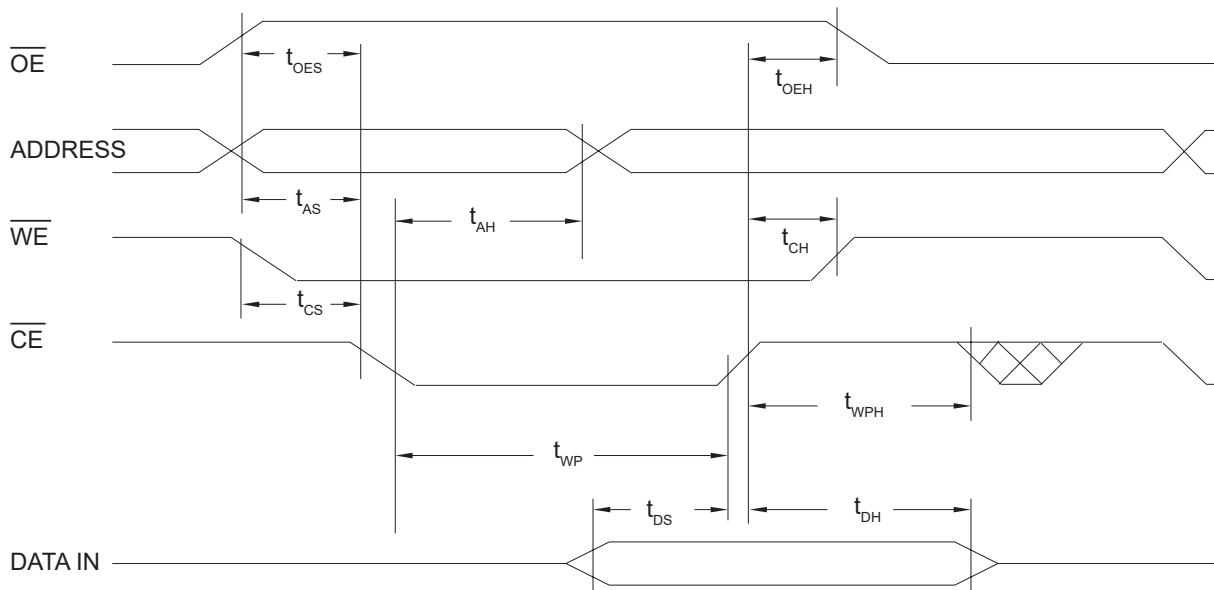
Parameter	Symbol	Minimum	Maximum	Units
Write Cycle Time	$t_{WC}$	—	10	ms
Address Set-Up Time	$t_{AS}$	0	—	ns
Address Hold Time	$t_{AH}$	50	—	ns
Data Set-Up Time	$t_{DS}$	50	—	ns
Data Hold Time	$t_{DH}$	0	—	ns
Write Pulse Width	$t_{WP}$	100	—	ns
Byte Load Cycle Time	$t_{BLC}$	—	150	$\mu$ s
Write Pulse Width High	$t_{WPH}$	50	—	ns

## 5.7 AC Write Waveforms

### 5.7.1 $\overline{WE}$ Controlled



**5.7.2  $\overline{CE}$  Controlled**

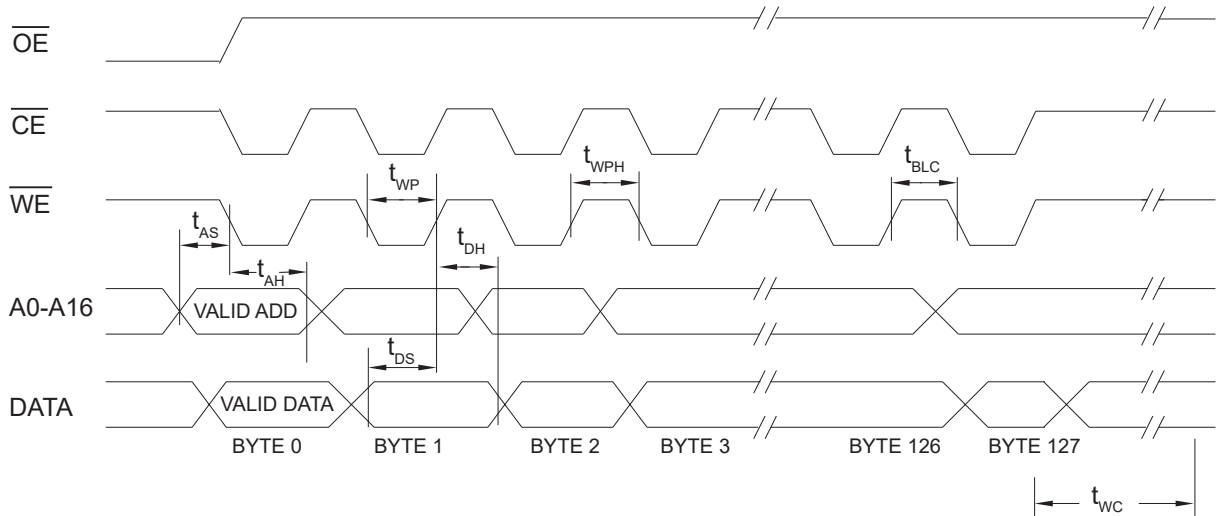


**5.8 Page Mode Characteristics**

**Table 5-4. Page Mode Characteristics**

Parameter	Symbol	Minimum	Maximum	Units
Address, $\overline{OE}$ Set-Up Time	$t_{AS}, t_{OES}$	0	—	ns
Address Hold Time	$t_{AH}$	50	—	ns
Chip Select Set-Up Time	$t_{CS}$	0	—	ns
Chip Select Hold Time	$t_{CH}$	0	—	ns
Write Pulse Width ( $\overline{WE}$ or $\overline{CE}$ )	$t_{WP}$	100	—	ns
Data Set-Up Time	$t_{DS}$	50	—	ns
Data, $\overline{OE}$ Hold Time	$t_{DH}, t_{OEH}$	0	—	ns

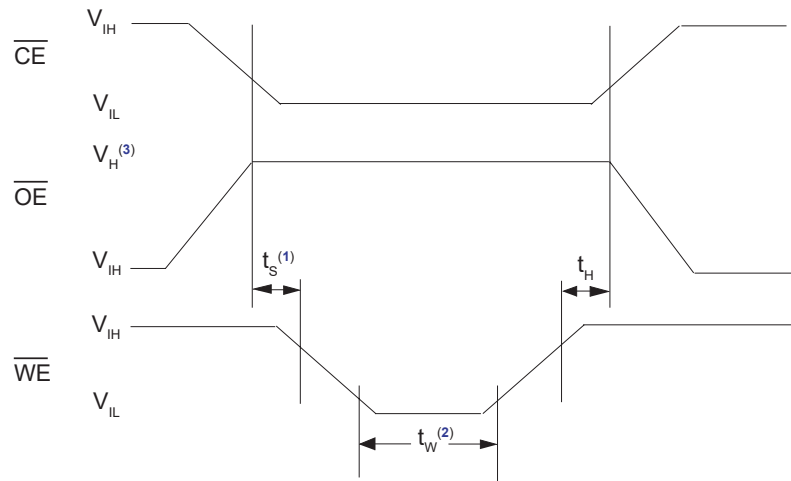
### 5.9 Page Mode Write Waveforms<sup>(1,2)</sup>



**Note:**

1. A7 through A16 must specify the page address during each high-to-low transition of  $\overline{WE}$  (or  $\overline{CE}$ ).
2.  $\overline{OE}$  must be high only when  $\overline{WE}$  and  $\overline{CE}$  are both low.

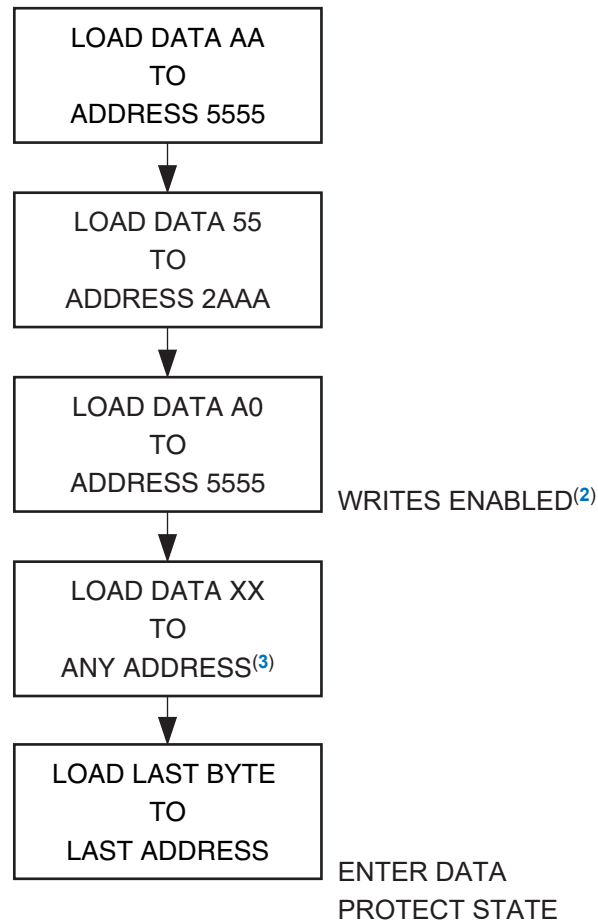
### 5.10 Chip Erase Waveforms



**Note:**

1.  $t_S = 5$  msec (minimum)
2.  $t_W = t_H = 10$  msec (minimum)
3.  $V_H = 12.0V \pm 0.5V$

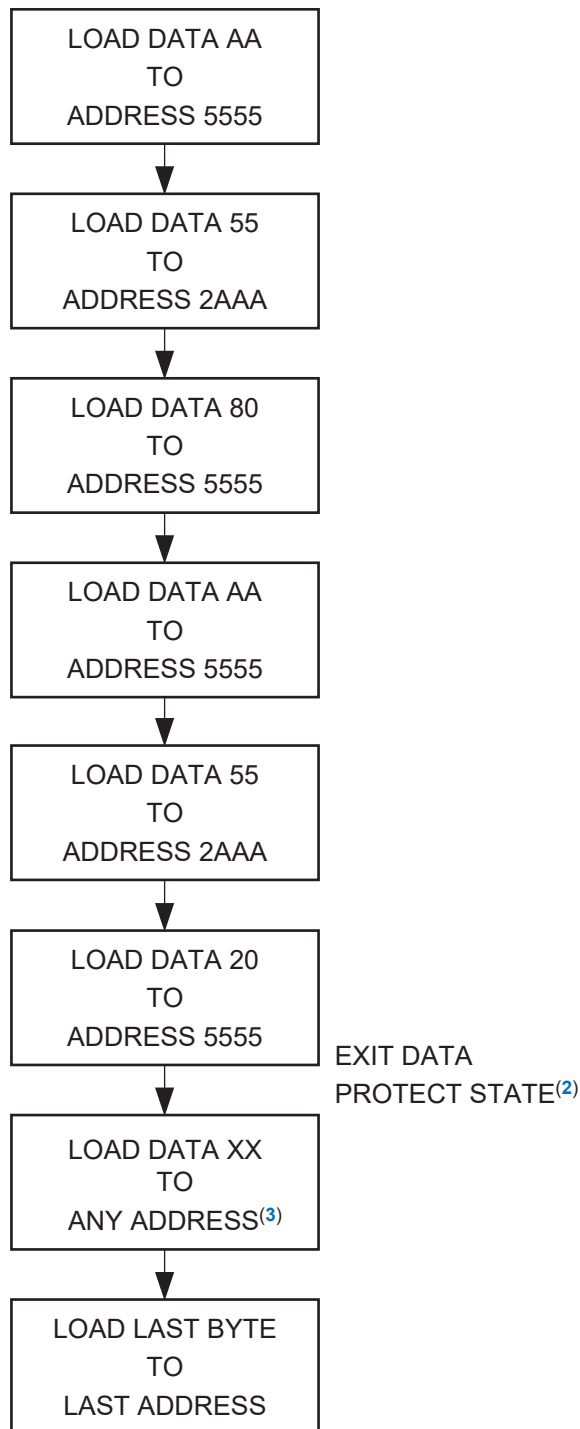
5.11 Software Data Protection Enable Algorithm<sup>(1)</sup>



**Note:**

1. Data format: I/O7-I/O0 (Hex); Address format: A16-A0 (Hex).
2. Write-Protect state will be activated at end of write even if no other data is loaded.
3. 1 to 128 bytes of data are loaded.

5.12 Software Data Protection Disable Algorithm<sup>(1)</sup>

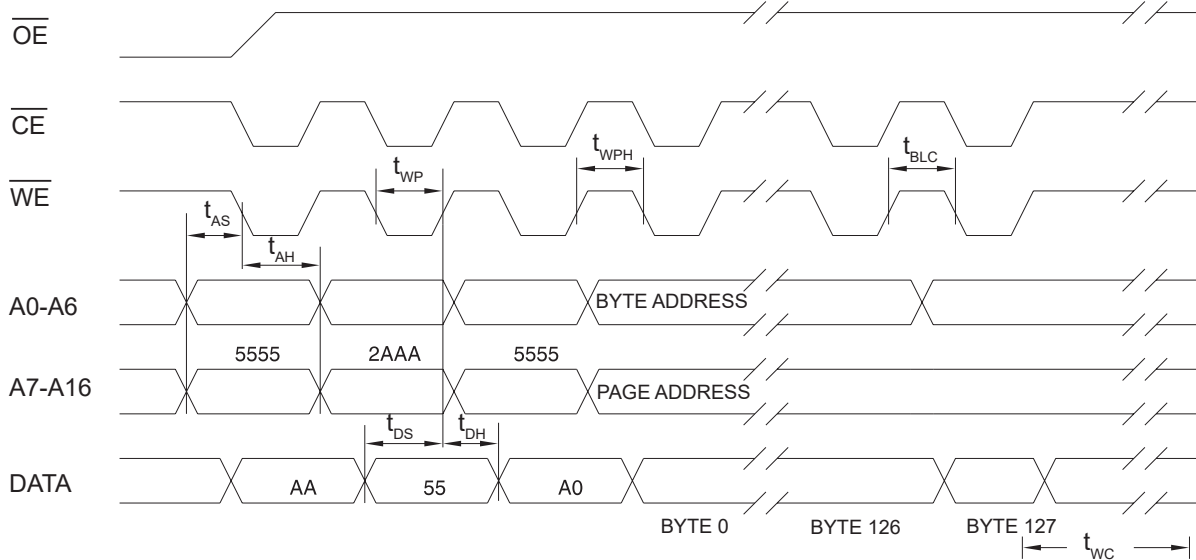


**Note:**

1. Data format: I/O7-I/O0 (Hex); Address format: A16-A0 (Hex).
2. Write-Protect state will be deactivated at end of write period even if no other data is loaded.
3. 1 to 128 bytes of data are loaded.



### 5.13 Software Protected Program Cycle Waveform<sup>(1,2,3)</sup>



**Note:**

1.  $A0-A16$  must conform to the addressing sequence for the first 3 bytes as shown above.
2. After the command sequence has been issued and a page write operation follows, the page address inputs ( $A7-A16$ ) must be the same for each high-to-low transition of  $\overline{WE}$  (or  $\overline{CE}$ ).
3.  $\overline{OE}$  must be high only when  $\overline{WE}$  and  $\overline{CE}$  are both low.

### 5.14 Data Polling Characteristics<sup>(1)</sup>

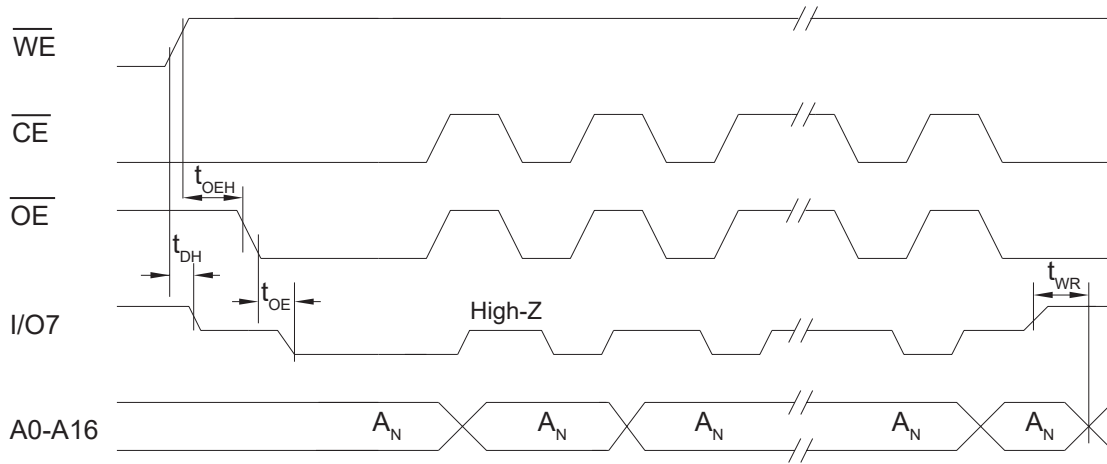
**Table 5-5. Data Polling Characteristics**

Parameter	Symbol	Minimum	Typical	Maximum	Units
Data Hold Time	$t_{DH}$	10	—	—	ns
$\overline{OE}$ Hold Time	$t_{OE H}$	10	—	—	ns
$\overline{OE}$ to Output Delay <sup>(2)</sup>	$t_{OE}$	—	—	—	ns
Write Recovery Time	$t_{WR}$	0	—	—	ns

**Note:**

1. These parameters are characterized and not 100% tested.
2. See [AC Read Characteristics](#).

### 5.15 Data Polling Waveforms



### 5.16 Toggle Bit Characteristics<sup>(1)</sup>

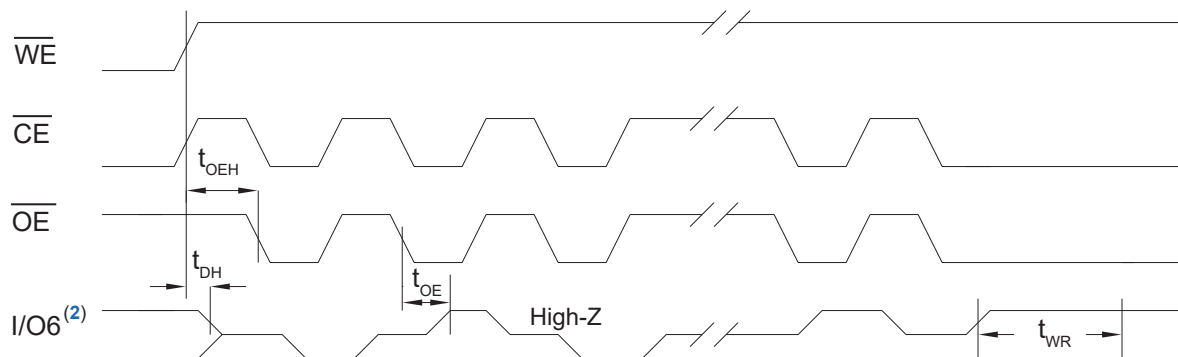
**Table 5-6. Toggle Bit Characteristics**

Parameter	Symbol	Minimum	Typical	Maximum	Units
Data Hold Time	$t_{DH}$	10	—	—	ns
$\overline{OE}$ Hold Time	$t_{OEH}$	10	—	—	ns
$\overline{OE}$ to Output Delay <sup>(2)</sup>	$t_{OE}$	—	—	—	ns
$\overline{OE}$ High Pulse <sup>(2)</sup>	$t_{OEHP}$	150	—	—	ns
Write Recovery Time	$t_{WR}$	0	—	—	ns

**Note:**

1. These parameters are characterized and not 100% tested.
2. See [AC Read Characteristics](#).

### 5.17 Toggle Bit Waveforms

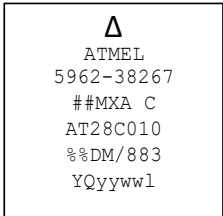
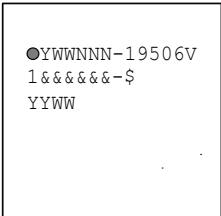
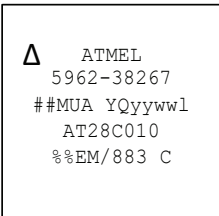
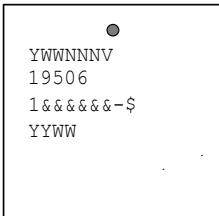
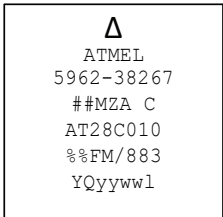
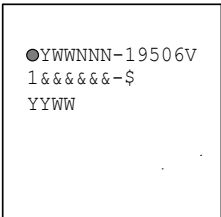
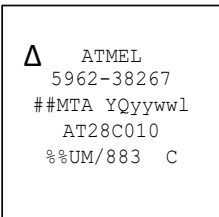
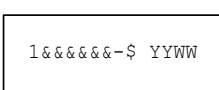
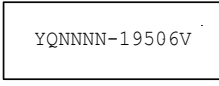


**Note:**

1. Toggling either  $\overline{OE}$  or  $\overline{CE}$  or both  $\overline{OE}$  and  $\overline{CE}$  will operate toggle bit.
2. Beginning and ending state of I/O6 will vary.
3. Any address location may be used but the address should not vary.

## 6. Packaging Information

### 6.1 Package Marking Information

<b>AT28C010: Package Marking Information (SMD devices)</b>			
<b>32-Pin CERDIP</b>		<b>32-Pad LCC</b>	
Topside	Backside	Topside	Backside
			
<b>32-Pin FLATPACK</b>		<b>32-Pin PGA</b>	
Topside	Backside	Topside	Edges
			  
<b>## = Device Number</b>	<b>%% = Access Time</b>		<b>\$ = Assembly Location</b>
01: 250 ns 03: 200 ns 05: 150 ns 07: 120 ns	25: 250 ns 20: 200 ns 15: 150 ns 12: 120 ns		F: Philippines N: Thailand
<b>Country of Assembly</b>		<b>Lot Trace Code</b>	
&&&&&&: Country of Assembly		YWWNNN: Lot Trace Code	
<b>Seal Year and Work Week</b>			
YYWW: Seal Year and Work Week			
<b>Year, Quarter, Seal Year, Seal Week and Group D Coverage (Military Date Code)</b>			
YQyywwl: Year, Quarter, Seal Year, Seal Week and Group D Coverage (Military Date Code)			

### AT28C010E: Package Marking Information (Non-SMD devices)

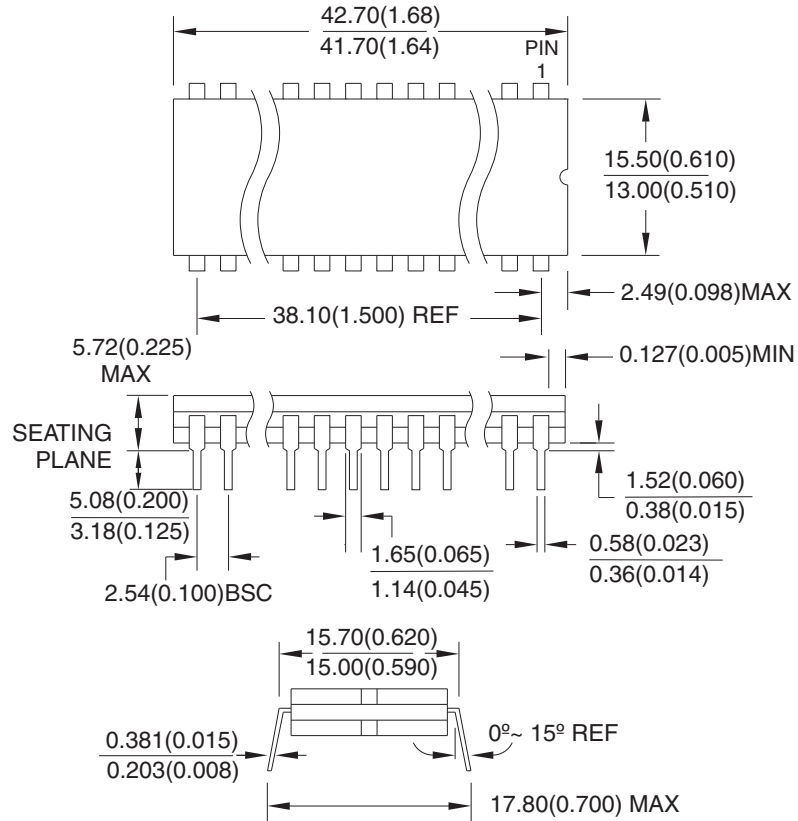
32-Pin CERDIP		32-Pad LCC	
<p><b>Topside</b></p> <div style="border: 1px solid black; padding: 5px; text-align: center;"> <p>△ ATMEL AT28C010E %%DM/883 C OHSW3 YQyyww1</p> </div>	<p><b>Backside</b></p> <div style="border: 1px solid black; padding: 5px; text-align: center;"> <p>●YWWNNN-19506V 1&amp;&amp;&amp;&amp;&amp;&amp;- YYWW</p> </div>	<p><b>Topside</b></p> <div style="border: 1px solid black; padding: 5px; text-align: center;"> <p>△ ATMEL AT28C010E %%EM/883 C OHSW3 YQyyww1</p> </div>	<p><b>Backside</b></p> <div style="border: 1px solid black; padding: 5px; text-align: center;"> <p>● YWWNNNV 19506 1&amp;&amp;&amp;&amp;&amp;&amp;- YYWW</p> </div>
32-Pin FLATPACK		32-Pin PGA	
<p><b>Topside</b></p> <div style="border: 1px solid black; padding: 5px; text-align: center;"> <p>△ ATMEL AT28C010E %%FM/883 C OHSW3 YQyyww1</p> </div>	<p><b>Backside</b></p> <div style="border: 1px solid black; padding: 5px; text-align: center;"> <p>●YWWNNN-19506V 1&amp;&amp;&amp;&amp;&amp;&amp;- YYWW</p> </div>	<p><b>Topside</b></p> <div style="border: 1px solid black; padding: 5px; text-align: center;"> <p>△ ATMEL AT28C010E %%UM/883 C OHSW3 YQyyww1</p> </div>	<p><b>Edges</b></p> <div style="border: 1px solid black; padding: 5px; text-align: center;"> <p>● YWWNNN-19506V</p> <hr/> <p>19506</p> <hr/> <p>1&amp;&amp;&amp;&amp;&amp;&amp;-</p> <hr/> <p>YYWW</p> </div>

	%% = Access Time 25: 250 ns 20: 200 ns 15: 150 ns 12: 120 ns	CAGE Code OHSW3	\$ = Assembly Location F: Philippines N: Thailand
<b>Country of Assembly</b>	<b>Lot Trace Code</b>	<b>Seal Year and Work Week</b>	
&&&&&: Country of Assembly	YWWNNN: Lot Trace Code	YYWW: Seal Year and Work Week	
<b>Year, Quarter, Seal Year, Seal Week and Group D Coverage (Military Date Code)</b>			
YQyywwl: Year, Quarter, Seal Year, Seal Week and Group D Coverage (Military Date Code)			

# AT28C010

## Packaging Information

Dimensions in Millimeters and (Inches).  
 Controlling dimension: Inches.  
 MIL-STD 1835 D-16 Config A



10/23/03

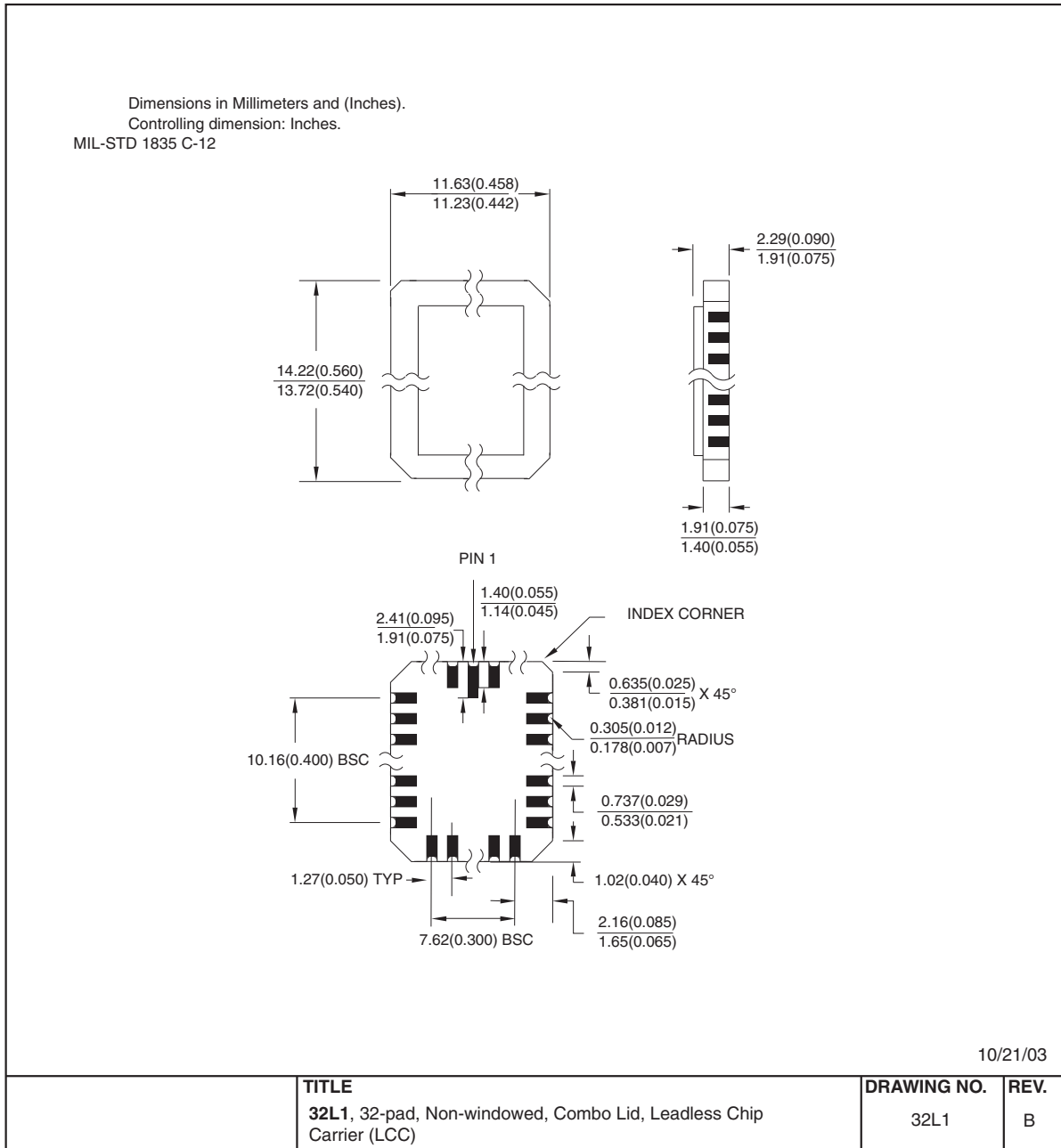
TITLE	DRAWING NO.	REV.
32D6, 32-lead, 0.600" Wide, Non-windowed, Ceramic Dual In-line Package (Cerdip)	32D6	B

**Note:**

For the most current package drawings, please see the Microchip Packaging Specification located at <http://www.microchip.com/packaging>.

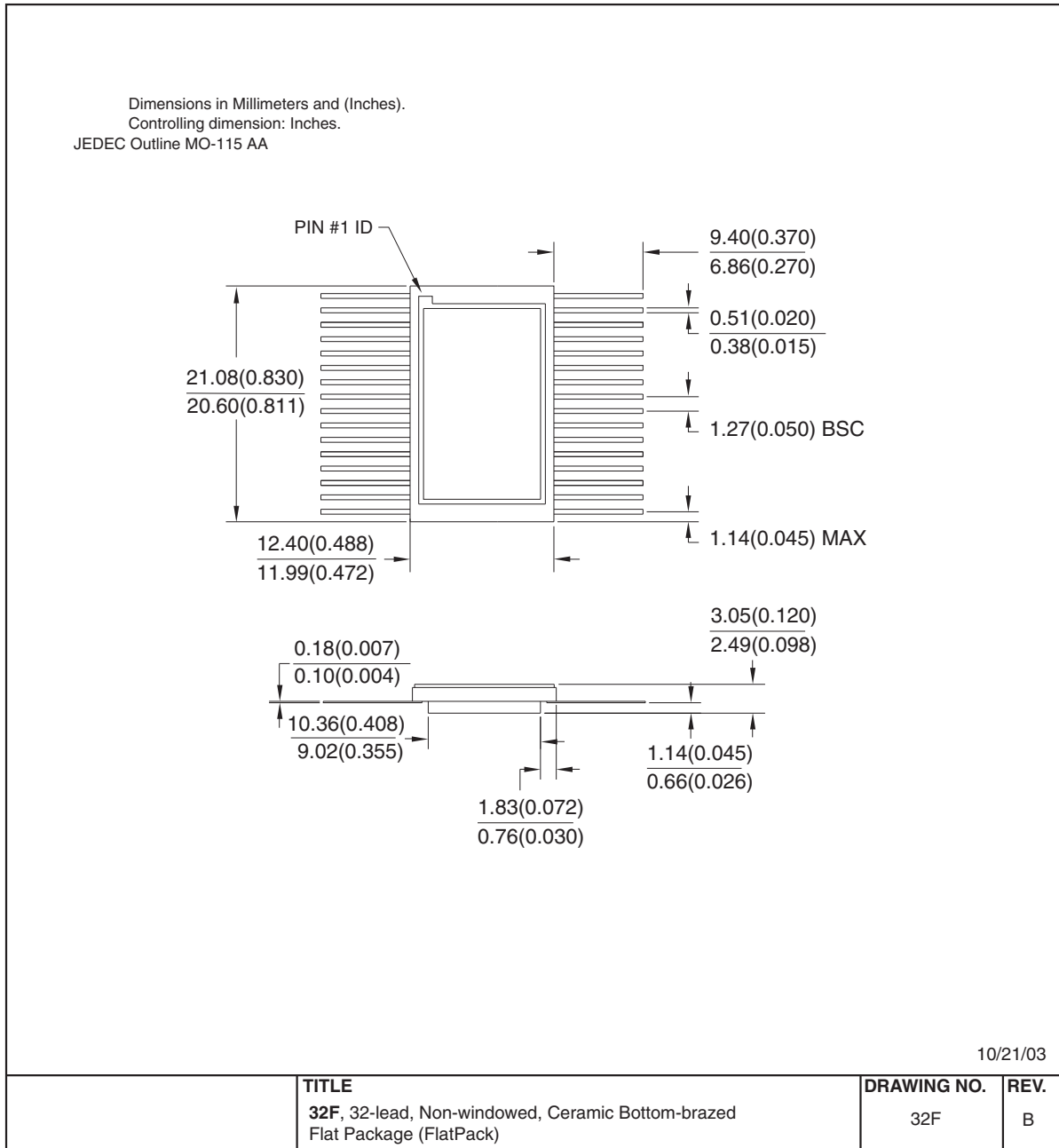
# AT28C010

## Packaging Information



**Note:**

For the most current package drawings, please see the Microchip Packaging Specification located at <http://www.microchip.com/packaging>.



**Note:**

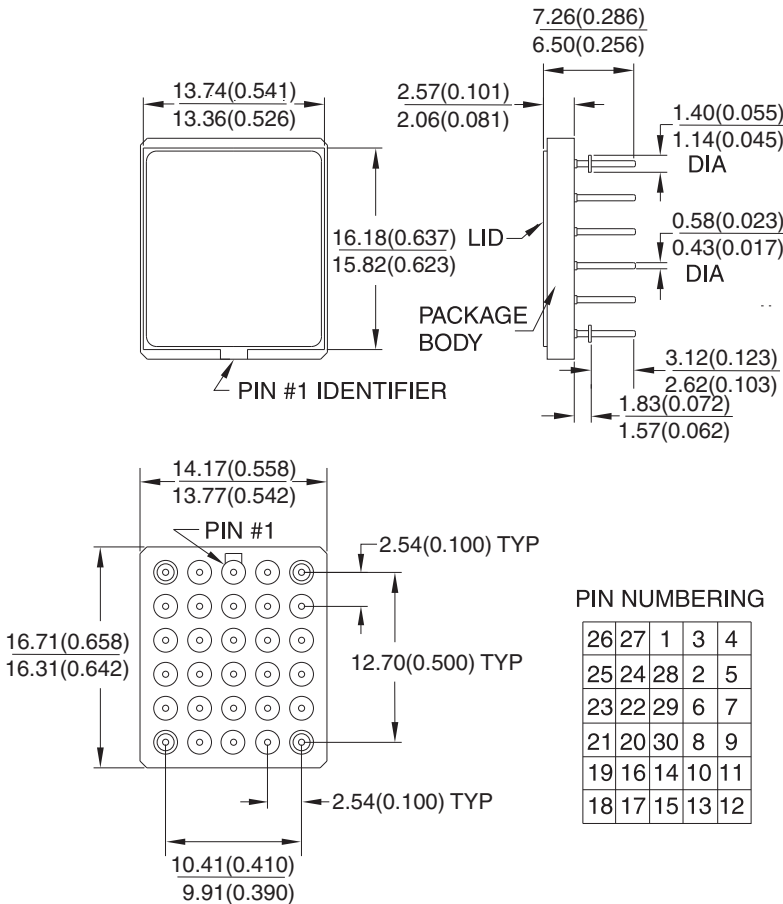
For the most current package drawings, please see the Microchip Packaging Specification located at <http://www.microchip.com/packaging>.



# AT28C010

## Packaging Information

Dimensions in Millimeters and (Inches).  
Controlling dimension: Inches.



10/21/03

	<b>TITLE</b> 30U, 30-pin, Ceramic Pin Grid Array (PGA)	<b>DRAWING NO.</b> 30U	<b>REV.</b> B
--	---	---------------------------	------------------

**Note:**  
For the most current package drawings, please see the Microchip Packaging Specification located at <http://www.microchip.com/packaging>.

## **7. Revision History**

### **Revision A (March 2020)**

Updated to the Microchip template. Microchip DS20006311 replaces Atmel document 0010. Added updated Part Markings to include new trace code format.

### **Atmel Document 0010 Revision I (June 2015)**

Added Revision History section. Updated AC Characteristics and ordering information.

## The Microchip Website

---

Microchip provides online support via our website at <http://www.microchip.com/>. This website is used to make files and information easily available to customers. Some of the content available includes:

- **Product Support** – Data sheets and errata, application notes and sample programs, design resources, user's guides and hardware support documents, latest software releases and archived software
- **General Technical Support** – Frequently Asked Questions (FAQs), technical support requests, online discussion groups, Microchip design partner program member listing
- **Business of Microchip** – Product selector and ordering guides, latest Microchip press releases, listing of seminars and events, listings of Microchip sales offices, distributors and factory representatives

## Product Change Notification Service

---

Microchip's product change notification service helps keep customers current on Microchip products. Subscribers will receive email notification whenever there are changes, updates, revisions or errata related to a specified product family or development tool of interest.

To register, go to <http://www.microchip.com/pcn> and follow the registration instructions.

## Customer Support

---

Users of Microchip products can receive assistance through several channels:

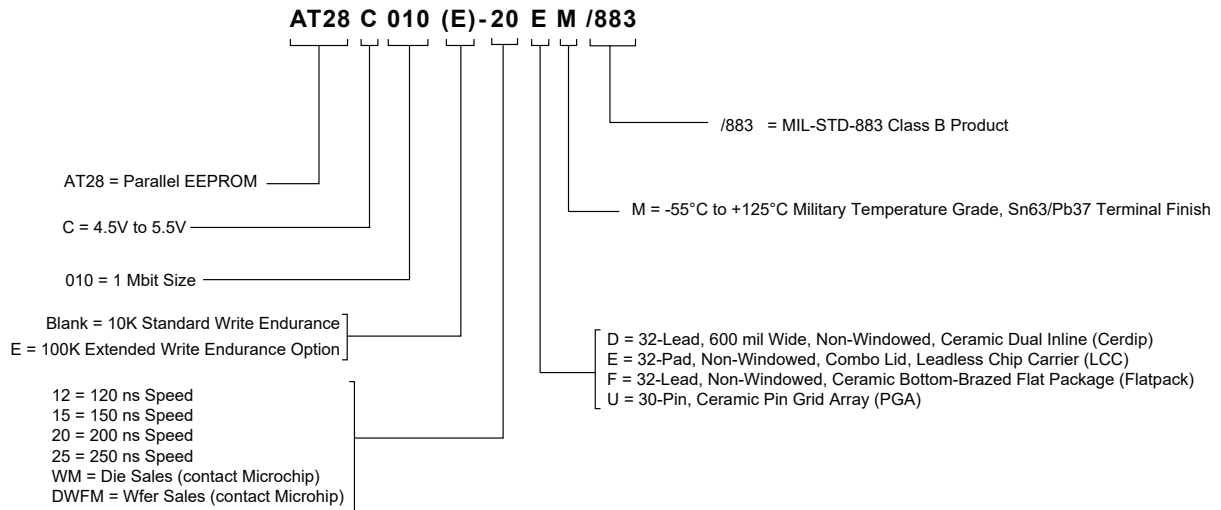
- Distributor or Representative
- Local Sales Office
- Embedded Solutions Engineer (ESE)
- Technical Support

Customers should contact their distributor, representative or ESE for support. Local sales offices are also available to help customers. A listing of sales offices and locations is included in this document.

Technical support is available through the website at: <http://www.microchip.com/support>

## Product Identification System

To order or obtain information, e.g., on pricing or delivery, refer to the factory or the listed sales office.



### Examples

**Table 11-1. AT28C010 Ordering Information**

Ordering Code	Standard Military Drawing Number (SMD#)	Package Number	t <sub>ACC</sub> (ns)	Operating Range
AT28C010-12DM/883	5962-38267 07 MXA	32D6	120	Military/883C Class B, Fully Compliant (-55°C to 125°C)
AT28C010-12EM/883	5962-38267 07 MUA	32L1		
AT28C010-12FM/883	5962-38267 07 MZA	32F		
AT28C010-12UM/883	5962-38267 07 MTA	30U		
AT28C010-15DM/883	5962-38267 05 MXA	32D6	150	
AT28C010-15EM/883	5962-38267 05 MUA	32L1		
AT28C010-15FM/883	5962-38267 05 MZA	32F		
AT28C010-15UM/883	5962-38267 05 MTA	30U		
AT28C010-20DM/883	5962-38267 03 MXA	32D6	200	
AT28C010-20EM/883	5962-38267 03 MUA	32L1		
AT28C010-20FM/883	5962-38267 03 MZA	32F		
AT28C010-20UM/883	5962-38267 03 MTA	30U		
AT28C010-12DM/883	5962-38267 01 MXA	32D6	250	
AT28C010-12FM/883	5962-38267 01 MZA	32F		
AT28C010-WM	None	Die Sales	Note 1	
AT28C010-DWFM	None	Wafer Sales	Note 1	

### Note:

- Contact Microchip Sales for Die and Wafer sales

Table 11-2. AT28C010E Ordering Information

Ordering Code	Standard Military Drawing Number (SMD#)	Package Number	t <sub>ACC</sub> (ns)	Operating Range
AT28C010E-12DM/883	None	32D6	120	Military/883C Class B, Fully Compliant (-55°C to 125°C)
AT28C010E-12EM/883	None	32L1		
AT28C010E-12FM/883	None	32F		
AT28C010E-12UM/883	None	30U		
AT28C010E-15DM/883	None	32D6	150	

Package Types	
32D6	32-Lead, 0.600" Wide, Non-Windowed, Ceramic Dual Inline (Cerdip)
32F	32-Lead, Non-Windowed, Ceramic Bottom-Brazed Flat Package (Flatpack)
32L1	32-Pad, Non-Windowed, Combo Lid, Leadless Chip Carrier (LCC)
30U	30-Pin, Ceramic Pin Grid Array (PGA)
WM	Diced Die Military
DWFM	Die in Wafer Form Military
Options	
Blank	Standard Device: Endurance = 10K Write Cycles; Write Time 10 ms
E	High Endurance Option: Endurance = 100K Write Cycles

## Microchip Devices Code Protection Feature

Note the following details of the code protection feature on Microchip devices:

- Microchip products meet the specification contained in their particular Microchip Data Sheet.
- Microchip believes that its family of products is one of the most secure families of its kind on the market today, when used in the intended manner and under normal conditions.
- There are dishonest and possibly illegal methods used to breach the code protection feature. All of these methods, to our knowledge, require using the Microchip products in a manner outside the operating specifications contained in Microchip's Data Sheets. Most likely, the person doing so is engaged in theft of intellectual property.
- Microchip is willing to work with the customer who is concerned about the integrity of their code.
- Neither Microchip nor any other semiconductor manufacturer can guarantee the security of their code. Code protection does not mean that we are guaranteeing the product as "unbreakable."

Code protection is constantly evolving. We at Microchip are committed to continuously improving the code protection features of our products. Attempts to break Microchip's code protection feature may be a violation of the Digital Millennium Copyright Act. If such acts allow unauthorized access to your software or other copyrighted work, you may have a right to sue for relief under that Act.

## Legal Notice

Information contained in this publication regarding device applications and the like is provided only for your convenience and may be superseded by updates. It is your responsibility to ensure that your application meets with your specifications. MICROCHIP MAKES NO REPRESENTATIONS OR WARRANTIES OF ANY KIND WHETHER EXPRESS OR IMPLIED, WRITTEN OR ORAL, STATUTORY OR OTHERWISE, RELATED TO THE INFORMATION,

INCLUDING BUT NOT LIMITED TO ITS CONDITION, QUALITY, PERFORMANCE, MERCHANTABILITY OR FITNESS FOR PURPOSE. Microchip disclaims all liability arising from this information and its use. Use of Microchip devices in life support and/or safety applications is entirely at the buyer's risk, and the buyer agrees to defend, indemnify and hold harmless Microchip from any and all damages, claims, suits, or expenses resulting from such use. No licenses are conveyed, implicitly or otherwise, under any Microchip intellectual property rights unless otherwise stated.

---

## **Trademarks**

---

The Microchip name and logo, the Microchip logo, Adaptec, AnyRate, AVR, AVR logo, AVR Freaks, BesTime, BitCloud, chipKIT, chipKIT logo, CryptoMemory, CryptoRF, dsPIC, FlashFlex, flexPWR, HELDO, IGLOO, JukeBlox, KeeLoq, Kleer, LANCheck, LinkMD, maXStylus, maXTouch, MediaLB, megaAVR, Microsemi, Microsemi logo, MOST, MOST logo, MPLAB, OptoLyzer, PackeTime, PIC, picoPower, PICSTART, PIC32 logo, PolarFire, Prochip Designer, QTouch, SAM-BA, SenGenuity, SpyNIC, SST, SST Logo, SuperFlash, Symmetricom, SyncServer, Tachyon, TempTrackr, TimeSource, tinyAVR, UNI/O, Vectron, and XMEGA are registered trademarks of Microchip Technology Incorporated in the U.S.A. and other countries.

APT, ClockWorks, The Embedded Control Solutions Company, EtherSynch, FlashTec, Hyper Speed Control, HyperLight Load, IntelliMOS, Libero, motorBench, mTouch, Powermite 3, Precision Edge, ProASIC, ProASIC Plus, ProASIC Plus logo, Quiet-Wire, SmartFusion, SyncWorld, Temux, TimeCesium, TimeHub, TimePictra, TimeProvider, Vite, WinPath, and ZL are registered trademarks of Microchip Technology Incorporated in the U.S.A.

Adjacent Key Suppression, AKS, Analog-for-the-Digital Age, Any Capacitor, AnyIn, AnyOut, BlueSky, BodyCom, CodeGuard, CryptoAuthentication, CryptoAutomotive, CryptoCompanion, CryptoController, dsPICDEM, dsPICDEM.net, Dynamic Average Matching, DAM, ECAN, EtherGREEN, In-Circuit Serial Programming, ICSP, INICnet, Inter-Chip Connectivity, JitterBlocker, KleerNet, KleerNet logo, memBrain, Mindi, MiWi, MPASM, MPF, MPLAB Certified logo, MPLIB, MPLINK, MultiTRAK, NetDetach, Omniscient Code Generation, PICDEM, PICDEM.net, PICkit, PICtail, PowerSmart, PureSilicon, QMatrix, REAL ICE, Ripple Blocker, SAM-ICE, Serial Quad I/O, SMART-I.S., SQI, SuperSwitcher, SuperSwitcher II, Total Endurance, TSHARC, USBCheck, VariSense, ViewSpan, WiperLock, Wireless DNA, and ZENA are trademarks of Microchip Technology Incorporated in the U.S.A. and other countries.

SQTP is a service mark of Microchip Technology Incorporated in the U.S.A.

The Adaptec logo, Frequency on Demand, Silicon Storage Technology, and Symmcom are registered trademarks of Microchip Technology Inc. in other countries.

GestIC is a registered trademark of Microchip Technology Germany II GmbH & Co. KG, a subsidiary of Microchip Technology Inc., in other countries.

All other trademarks mentioned herein are property of their respective companies.

© 2020, Microchip Technology Incorporated, Printed in the U.S.A., All Rights Reserved.

ISBN: 978-1-5224-5748-0

AMBA, Arm, Arm7, Arm7TDMI, Arm9, Arm11, Artisan, big.LITTLE, Cordio, CoreLink, CoreSight, Cortex, DesignStart, DynamIQ, Jazelle, Keil, Mali, Mbed, Mbed Enabled, NEON, POP, RealView, SecurCore, Socrates, Thumb, TrustZone, ULINK, ULINK2, ULINK-ME, ULINK-PLUS, ULINKpro,  $\mu$ Vision, Versatile are trademarks or registered trademarks of Arm Limited (or its subsidiaries) in the US and/or elsewhere.

---

## **Quality Management System**

---

For information regarding Microchip's Quality Management Systems, please visit <http://www.microchip.com/quality>.

## Worldwide Sales and Service

AMERICAS	ASIA/PACIFIC	ASIA/PACIFIC	EUROPE
<p><b>Corporate Office</b> 2355 West Chandler Blvd. Chandler, AZ 85224-6199 Tel: 480-792-7200 Tel: 480-792-7277 Technical Support: <a href="http://www.microchip.com/support">http://www.microchip.com/support</a> Web Address: <a href="http://www.microchip.com">http://www.microchip.com</a></p> <p><b>Atlanta</b> Duluth, GA Tel: 678-957-9614 Fax: 678-957-1455</p> <p><b>Austin, TX</b> Tel: 512-257-3370</p> <p><b>Boston</b> Westborough, MA Tel: 774-760-0087 Fax: 774-760-0088</p> <p><b>Chicago</b> Itasca, IL Tel: 630-285-0071 Fax: 630-285-0075</p> <p><b>Dallas</b> Addison, TX Tel: 972-818-7423 Fax: 972-818-2924</p> <p><b>Detroit</b> Novi, MI Tel: 248-848-4000</p> <p><b>Houston, TX</b> Tel: 281-894-5983</p> <p><b>Indianapolis</b> Noblesville, IN Tel: 317-773-8323 Fax: 317-773-5453 Tel: 317-536-2380</p> <p><b>Los Angeles</b> Mission Viejo, CA Tel: 949-462-9523 Fax: 949-462-9608 Tel: 951-273-7800</p> <p><b>Raleigh, NC</b> Tel: 919-844-7510</p> <p><b>New York, NY</b> Tel: 631-435-6000</p> <p><b>San Jose, CA</b> Tel: 408-735-9110 Tel: 408-436-4270</p> <p><b>Canada - Toronto</b> Tel: 905-695-1980 Fax: 905-695-2078</p>	<p><b>Australia - Sydney</b> Tel: 61-2-9868-6733</p> <p><b>China - Beijing</b> Tel: 86-10-8569-7000</p> <p><b>China - Chengdu</b> Tel: 86-28-8665-5511</p> <p><b>China - Chongqing</b> Tel: 86-23-8980-9588</p> <p><b>China - Dongguan</b> Tel: 86-769-8702-9880</p> <p><b>China - Guangzhou</b> Tel: 86-20-8755-8029</p> <p><b>China - Hangzhou</b> Tel: 86-571-8792-8115</p> <p><b>China - Hong Kong SAR</b> Tel: 852-2943-5100</p> <p><b>China - Nanjing</b> Tel: 86-25-8473-2460</p> <p><b>China - Qingdao</b> Tel: 86-532-8502-7355</p> <p><b>China - Shanghai</b> Tel: 86-21-3326-8000</p> <p><b>China - Shenyang</b> Tel: 86-24-2334-2829</p> <p><b>China - Shenzhen</b> Tel: 86-755-8864-2200</p> <p><b>China - Suzhou</b> Tel: 86-186-6233-1526</p> <p><b>China - Wuhan</b> Tel: 86-27-5980-5300</p> <p><b>China - Xian</b> Tel: 86-29-8833-7252</p> <p><b>China - Xiamen</b> Tel: 86-592-2388138</p> <p><b>China - Zhuhai</b> Tel: 86-756-3210040</p>	<p><b>India - Bangalore</b> Tel: 91-80-3090-4444</p> <p><b>India - New Delhi</b> Tel: 91-11-4160-8631</p> <p><b>India - Pune</b> Tel: 91-20-4121-0141</p> <p><b>Japan - Osaka</b> Tel: 81-6-6152-7160</p> <p><b>Japan - Tokyo</b> Tel: 81-3-6880-3770</p> <p><b>Korea - Daegu</b> Tel: 82-53-744-4301</p> <p><b>Korea - Seoul</b> Tel: 82-2-554-7200</p> <p><b>Malaysia - Kuala Lumpur</b> Tel: 60-3-7651-7906</p> <p><b>Malaysia - Penang</b> Tel: 60-4-227-8870</p> <p><b>Philippines - Manila</b> Tel: 63-2-634-9065</p> <p><b>Singapore</b> Tel: 65-6334-8870</p> <p><b>Taiwan - Hsin Chu</b> Tel: 886-3-577-8366</p> <p><b>Taiwan - Kaohsiung</b> Tel: 886-7-213-7830</p> <p><b>Taiwan - Taipei</b> Tel: 886-2-2508-8600</p> <p><b>Thailand - Bangkok</b> Tel: 66-2-694-1351</p> <p><b>Vietnam - Ho Chi Minh</b> Tel: 84-28-5448-2100</p>	<p><b>Austria - Wels</b> Tel: 43-7242-2244-39 Fax: 43-7242-2244-393</p> <p><b>Denmark - Copenhagen</b> Tel: 45-4485-5910 Fax: 45-4485-2829</p> <p><b>Finland - Espoo</b> Tel: 358-9-4520-820</p> <p><b>France - Paris</b> Tel: 33-1-69-53-63-20 Fax: 33-1-69-30-90-79</p> <p><b>Germany - Garching</b> Tel: 49-8931-9700</p> <p><b>Germany - Haan</b> Tel: 49-2129-3766400</p> <p><b>Germany - Heilbronn</b> Tel: 49-7131-72400</p> <p><b>Germany - Karlsruhe</b> Tel: 49-721-625370</p> <p><b>Germany - Munich</b> Tel: 49-89-627-144-0 Fax: 49-89-627-144-44</p> <p><b>Germany - Rosenheim</b> Tel: 49-8031-354-560</p> <p><b>Israel - Ra'anana</b> Tel: 972-9-744-7705</p> <p><b>Italy - Milan</b> Tel: 39-0331-742611 Fax: 39-0331-466781</p> <p><b>Italy - Padova</b> Tel: 39-049-7625286</p> <p><b>Netherlands - Drunen</b> Tel: 31-416-690399 Fax: 31-416-690340</p> <p><b>Norway - Trondheim</b> Tel: 47-72884388</p> <p><b>Poland - Warsaw</b> Tel: 48-22-3325737</p> <p><b>Romania - Bucharest</b> Tel: 40-21-407-87-50</p> <p><b>Spain - Madrid</b> Tel: 34-91-708-08-90 Fax: 34-91-708-08-91</p> <p><b>Sweden - Gothenberg</b> Tel: 46-31-704-60-40</p> <p><b>Sweden - Stockholm</b> Tel: 46-8-5090-4654</p> <p><b>UK - Wokingham</b> Tel: 44-118-921-5800 Fax: 44-118-921-5820</p>

## X-ON Electronics

Largest Supplier of Electrical and Electronic Components

*Click to view similar products for [atmel](#) manufacturer:*

Other Similar products are found below :

[MSL1060AW](#) [AT30TS75-SS8-T](#) [ATA5749-EK1](#) [ATA6826-DK](#) [ATBATTERY-CASE-2AAA](#) [ATXMEGA128A1U-CU](#) [ATA6662-EK](#)  
[ATSMARTPLUGCN](#) [AT32UC3L-EK](#) [AT89LP51RB2-20PU](#) [ATAB663254A-V1.2](#) [ATAB663431A-V1.2](#) [ATARFID-EK2](#) [ATMEGA165A-](#)  
[MU](#) [ATMEGA32-16AUR](#) [ATR2406-DEV-BOARD](#) [ATSAM4CMP32-DB](#) [ATSTK600-SC41](#) [ATWEBDVK-02RC](#) [ATXMEGA128A1U-](#)  
[CUR](#) [ATZB-S1-256-3-0-CR](#) [AT17F080-30JU](#) [AT32UC3A3128S-ALUR](#) [AT40K20-2DQC](#) [ATA6560-EK](#) [ATA6832-DK](#) [ATAVRSB202](#)  
[ATEXTWIFI](#) [ATMEGA324P-20MUR](#) [ATMXT-XPRO](#) [ATR2406-DEV-BOARD2](#) [ATREB212BSMA-EK](#) [ATSAMD10D14A-SSUT](#)  
[ATSTK600-RC38](#) [ATSTK600-RC56](#) [ATSTK600-RC90](#) [ATSTK600-SC48](#) [ATSTK600-TINYX3U](#) [ATTINY44A-MMH](#) [ATWINC1500-](#)  
[MR210PA](#) [ATXMEGA128A4U-AU](#) [ATXMEGA64B3-MH](#) [ATZB-X0-256-3-0-C](#) [DEMOBOARD-T7024PGM](#) [90E36ERGI](#)  
[AT32UC3B0256-Z2UT](#) [AT28C256F-15SU](#) [ATPL250A-EK](#) [ATSAMD21E15A-AU](#) [ATSMARTPLUGEU](#)