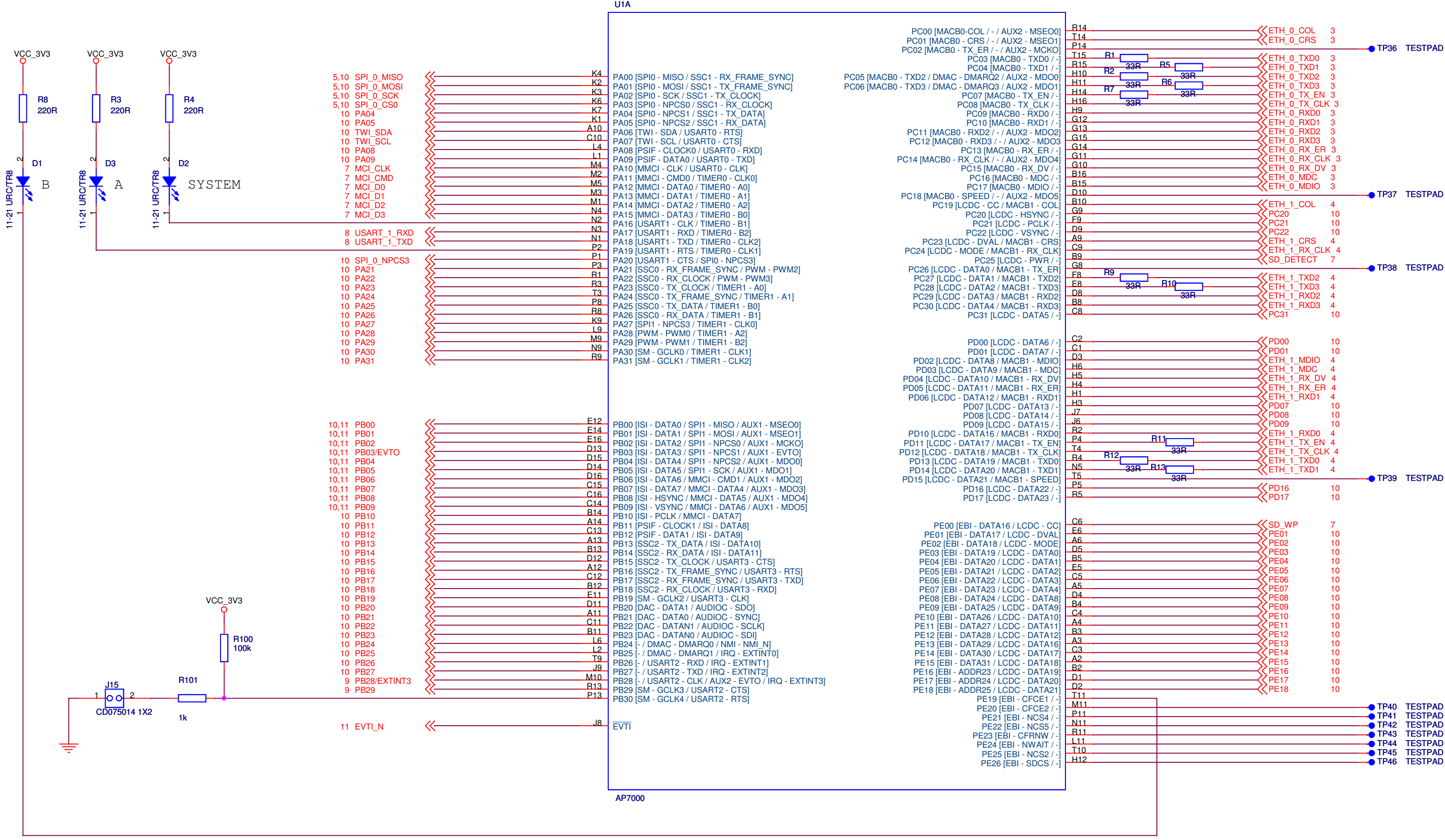
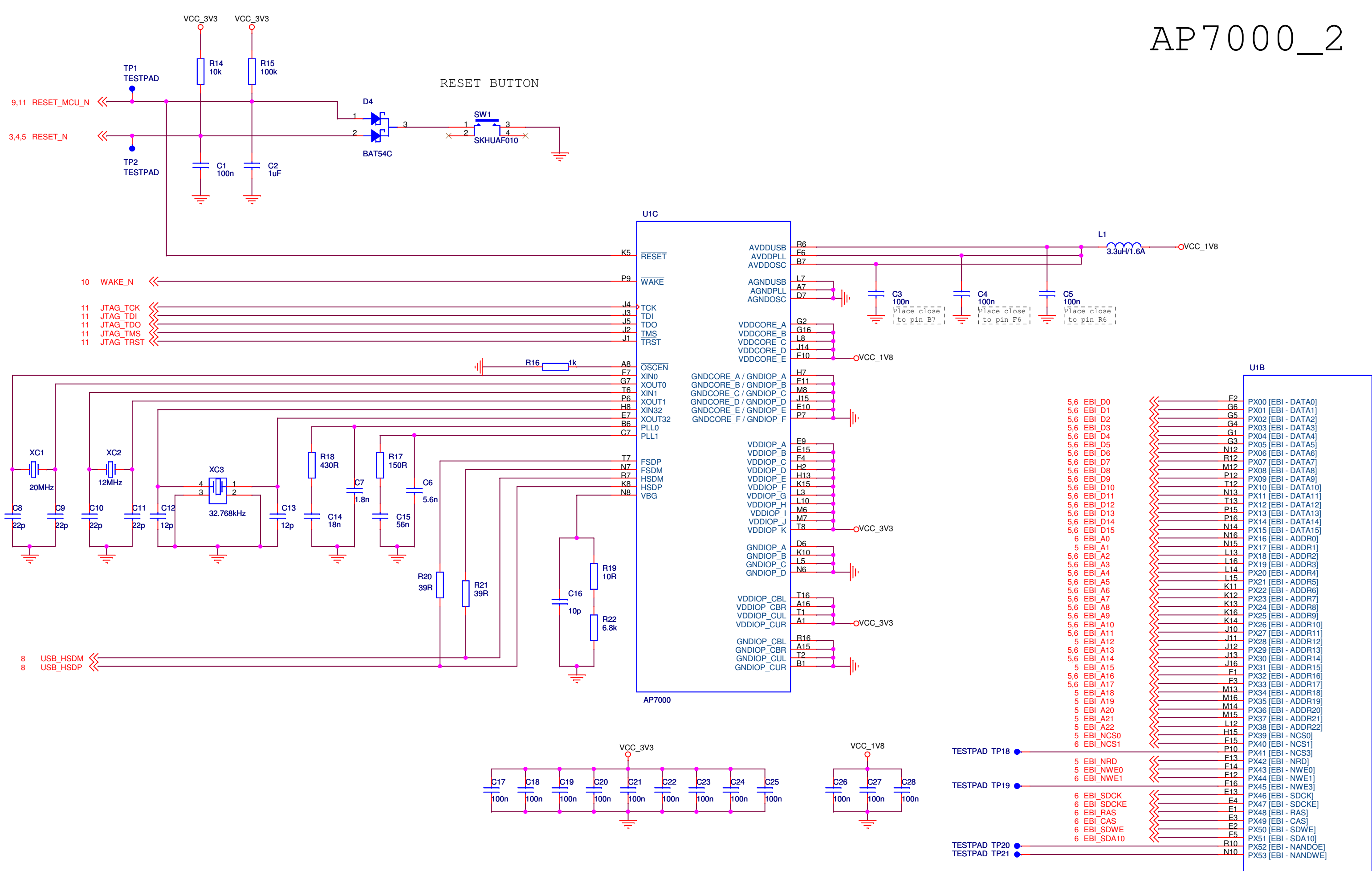


D
C
B
A

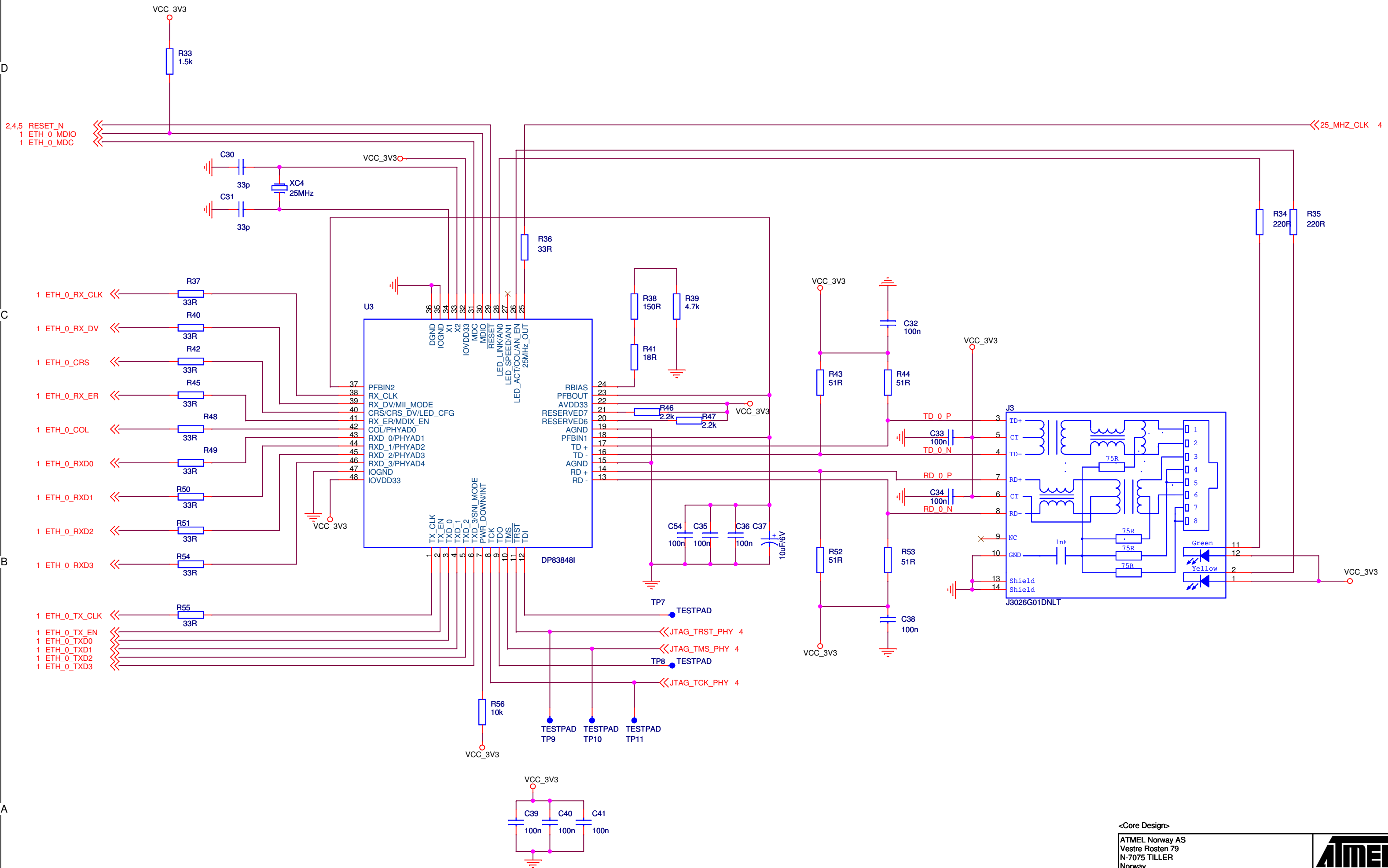


AP7000_2



U1B	U1B
F2	PX00 [EBI - DATA0]
G6	PX01 [EBI - DATA1]
G5	PX02 [EBI - DATA2]
G4	PX03 [EBI - DATA3]
G1	PX04 [EBI - DATA4]
G3	PX05 [EBI - DATA5]
N12	PX06 [EBI - DATA6]
R12	PX07 [EBI - DATA7]
M12	PX08 [EBI - DATA8]
P12	PX09 [EBI - DATA9]
T12	PX10 [EBI - DATA10]
N13	PX11 [EBI - DATA11]
T13	PX12 [EBI - DATA12]
P13	PX13 [EBI - DATA13]
P14	PX14 [EBI - DATA14]
N14	PX15 [EBI - DATA15]
N16	PX16 [EBI - ADDR0]
N15	PX17 [EBI - ADDR1]
L13	PX18 [EBI - ADDR2]
L16	PX19 [EBI - ADDR3]
L14	PX20 [EBI - ADDR4]
L15	PX21 [EBI - ADDR5]
K11	PX22 [EBI - ADDR6]
K12	PX23 [EBI - ADDR7]
K13	PX24 [EBI - ADDR8]
K16	PX25 [EBI - ADDR9]
K14	PX26 [EBI - ADDR10]
J10	PX27 [EBI - ADDR11]
J11	PX28 [EBI - ADDR12]
J12	PX29 [EBI - ADDR13]
J13	PX30 [EBI - ADDR14]
J16	PX31 [EBI - ADDR15]
F1	PX32 [EBI - ADDR16]
F3	PX33 [EBI - ADDR17]
M13	PX34 [EBI - ADDR18]
M16	PX35 [EBI - ADDR19]
M14	PX36 [EBI - ADDR20]
M15	PX37 [EBI - ADDR21]
L12	PX38 [EBI - ADDR22]
H15	PX39 [EBI - NCS0]
F15	PX40 [EBI - NCS1]
P10	PX41 [EBI - NCS3]
F13	PX42 [EBI - NRD]
F14	PX43 [EBI - NWE0]
F12	PX44 [EBI - NWE1]
F16	PX45 [EBI - NWE3]
E13	PX46 [EBI - SDCK]
E4	PX47 [EBI - SDCKE]
E1	PX48 [EBI - RAS]
E3	PX49 [EBI - CAS]
E2	PX50 [EBI - SDWE]
F5	PX51 [EBI - SDA10]
R10	PX52 [EBI - NANDOE]
N10	PX53 [EBI - NANDWE]

ETHERNET PORT 0



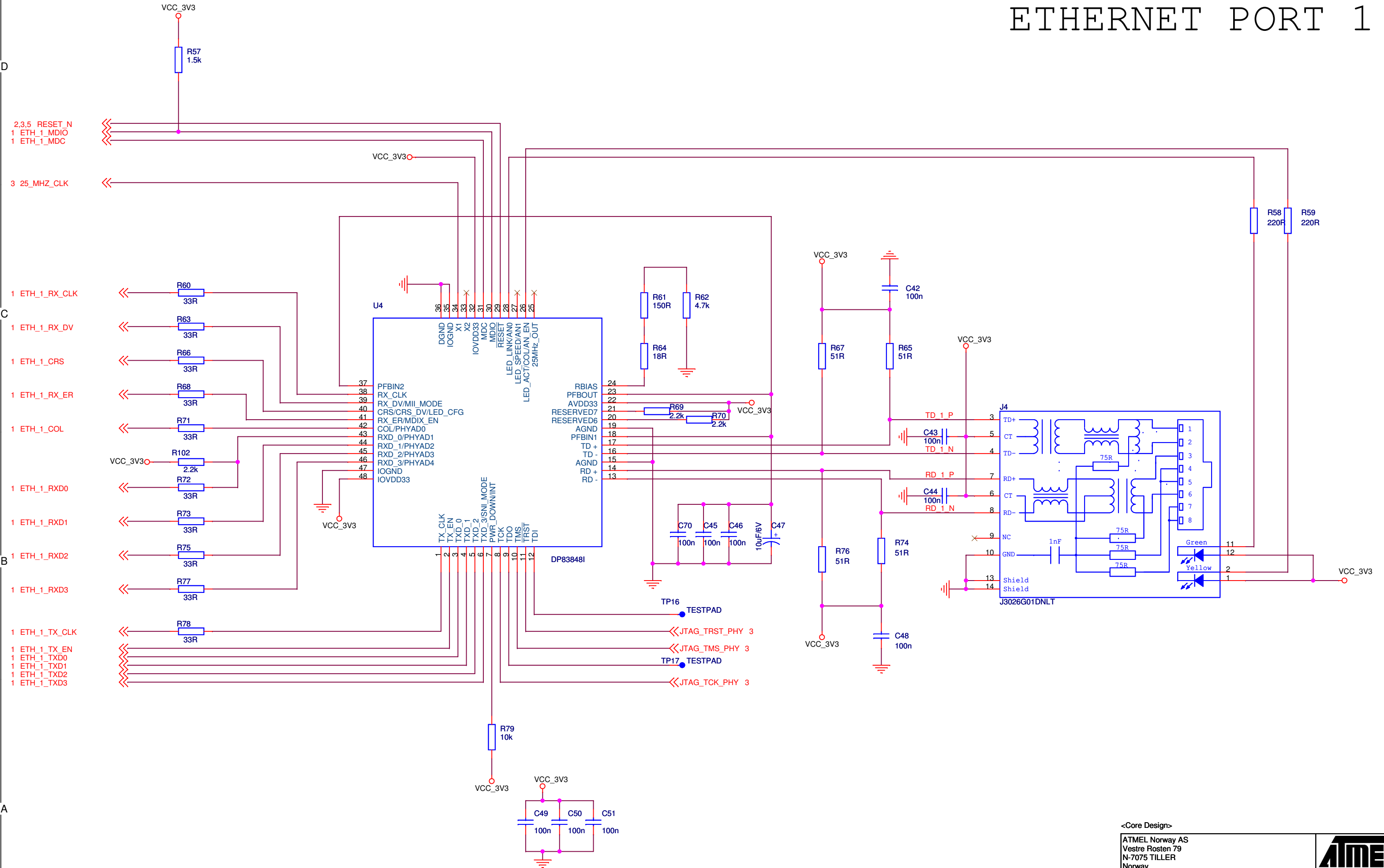
<Core Design>

ATMEL Norway AS
Vestre Rosten 79
N-7075 TILLER
Norway



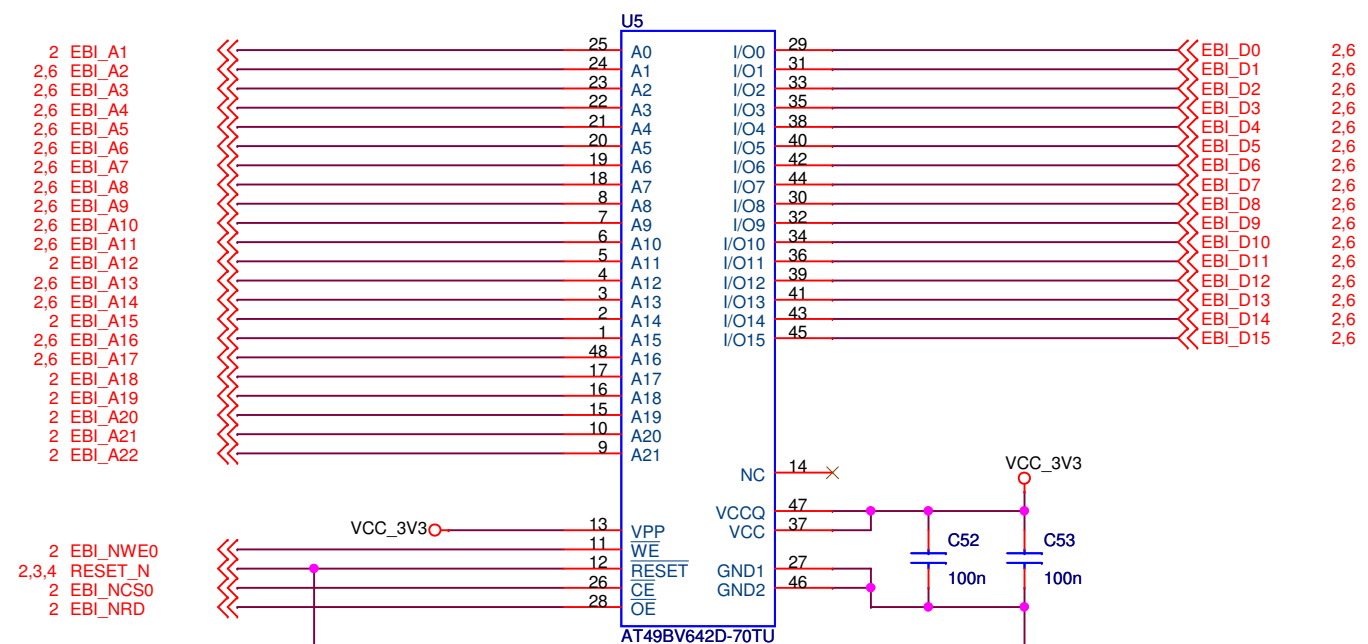
Title	Ethernet port 0	
Size	Document Number	Rev
A3	<Doc>	PC1
Date:	Tuesday, November 07, 2006	Sheet 3 of 13

ETHERNET PORT 1

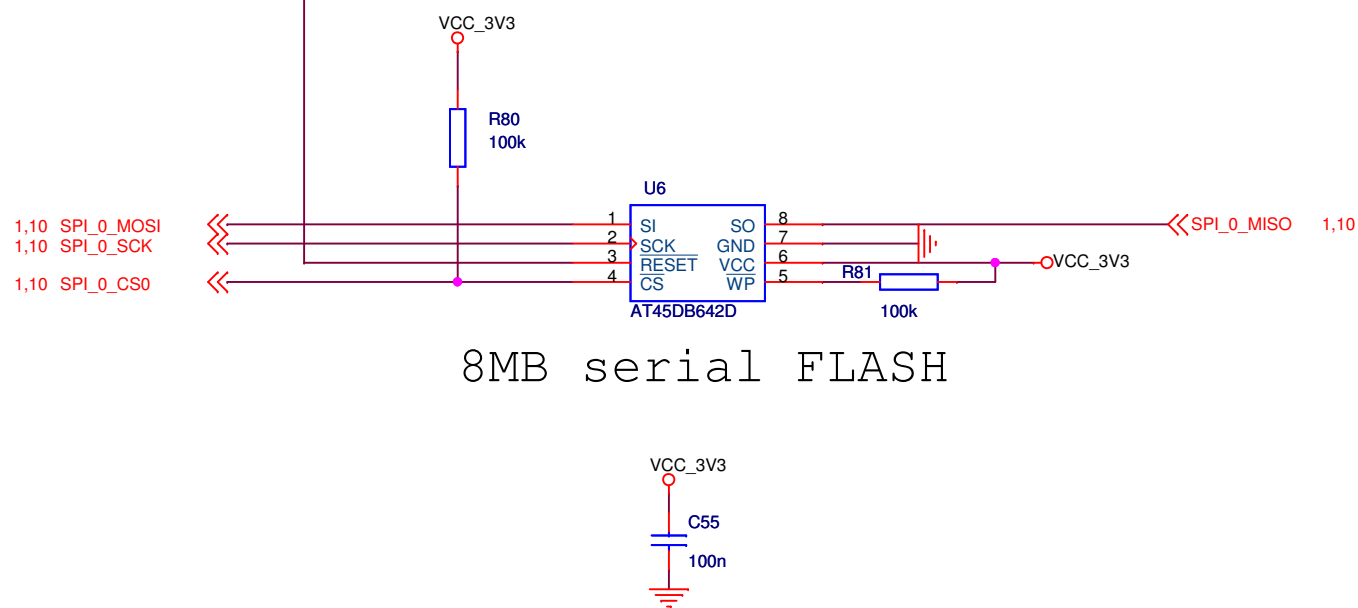


NOTE: The serial FLASH are possible to update with larger memories in the future within the same footprint.

8MB parallel FLASH



8MB serial FLASH



<Core Design>

ATMEL Norway AS
Vestre Rosten 79
N-7075 TILLER
Norway



Title FLASH

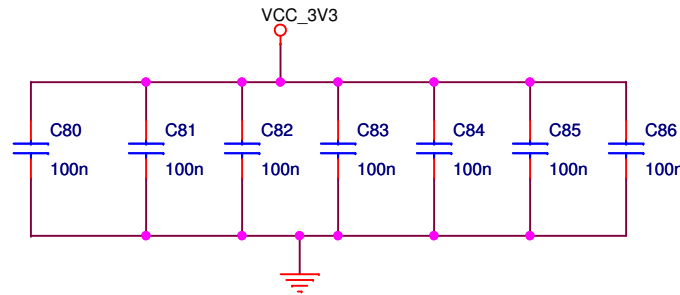
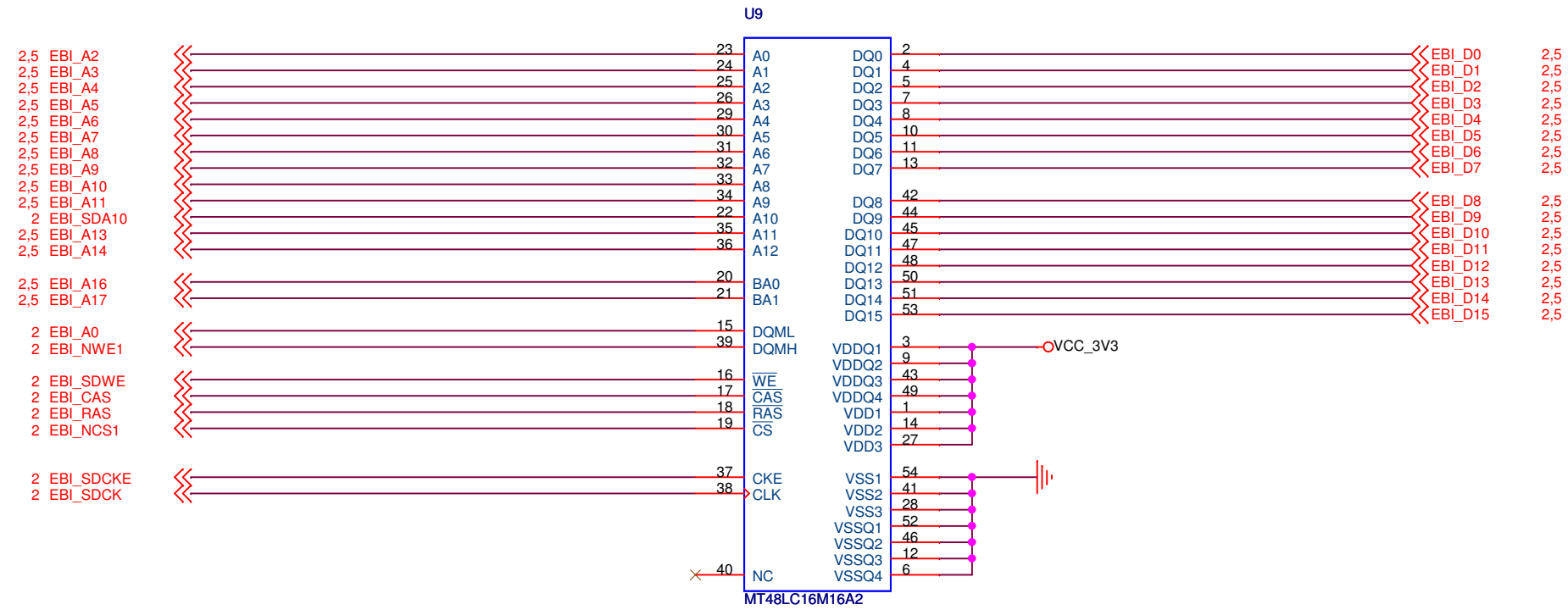
Size A3
Document Number <Doc>

Rev PC1

Date: Tuesday, November 07, 2006 Sheet 5 of 13

NOTE: The SDRAM are possible to update with larger memories in the future within the same footprint.

32MB



<Core Design>

ATMEL Norway AS
Vestre Rosten 79
N-7075 TILLER
Norway



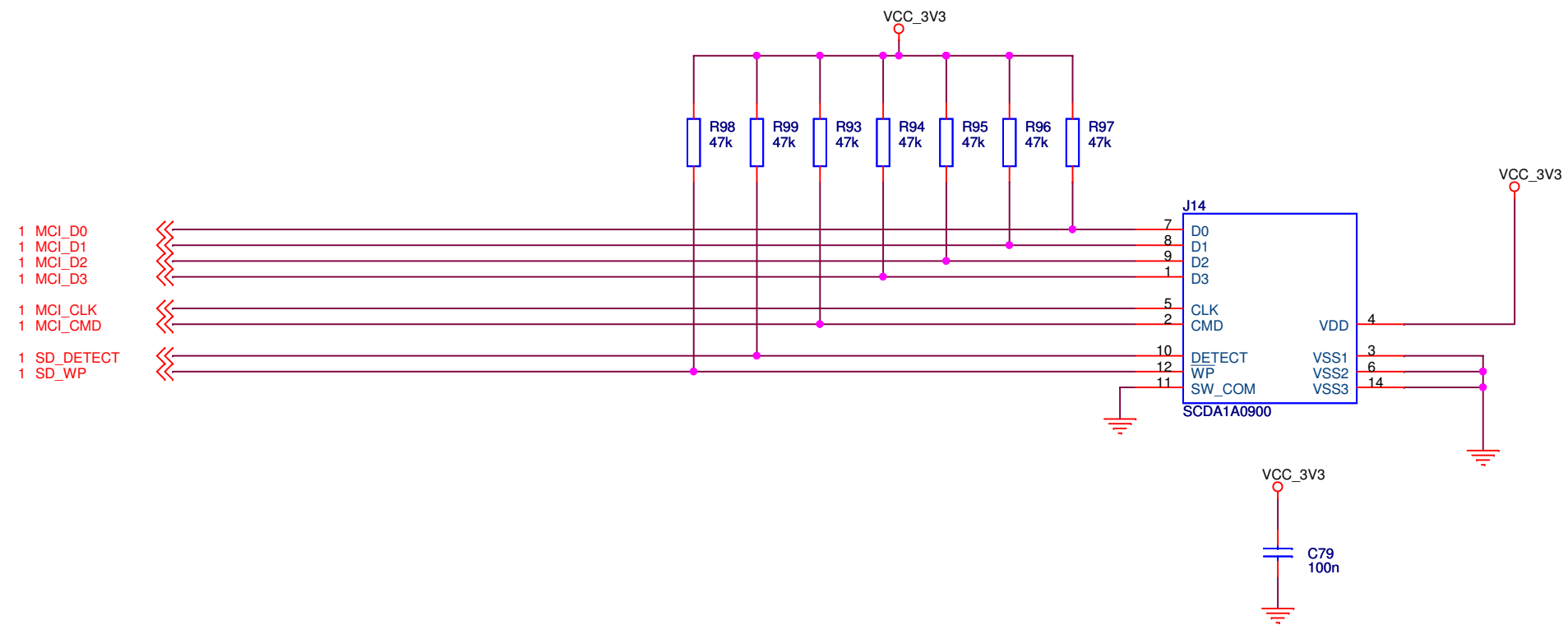
Title SDRAM

Size A3 Document Number <Doc>

Rev PC1

Date: Tuesday, November 07, 2006 | Sheet 6 of 13

SD/MMC



<Core Design>

ATMEL Norway AS
 Vestre Rosten 79
 N-7075 TILLER
 Norway



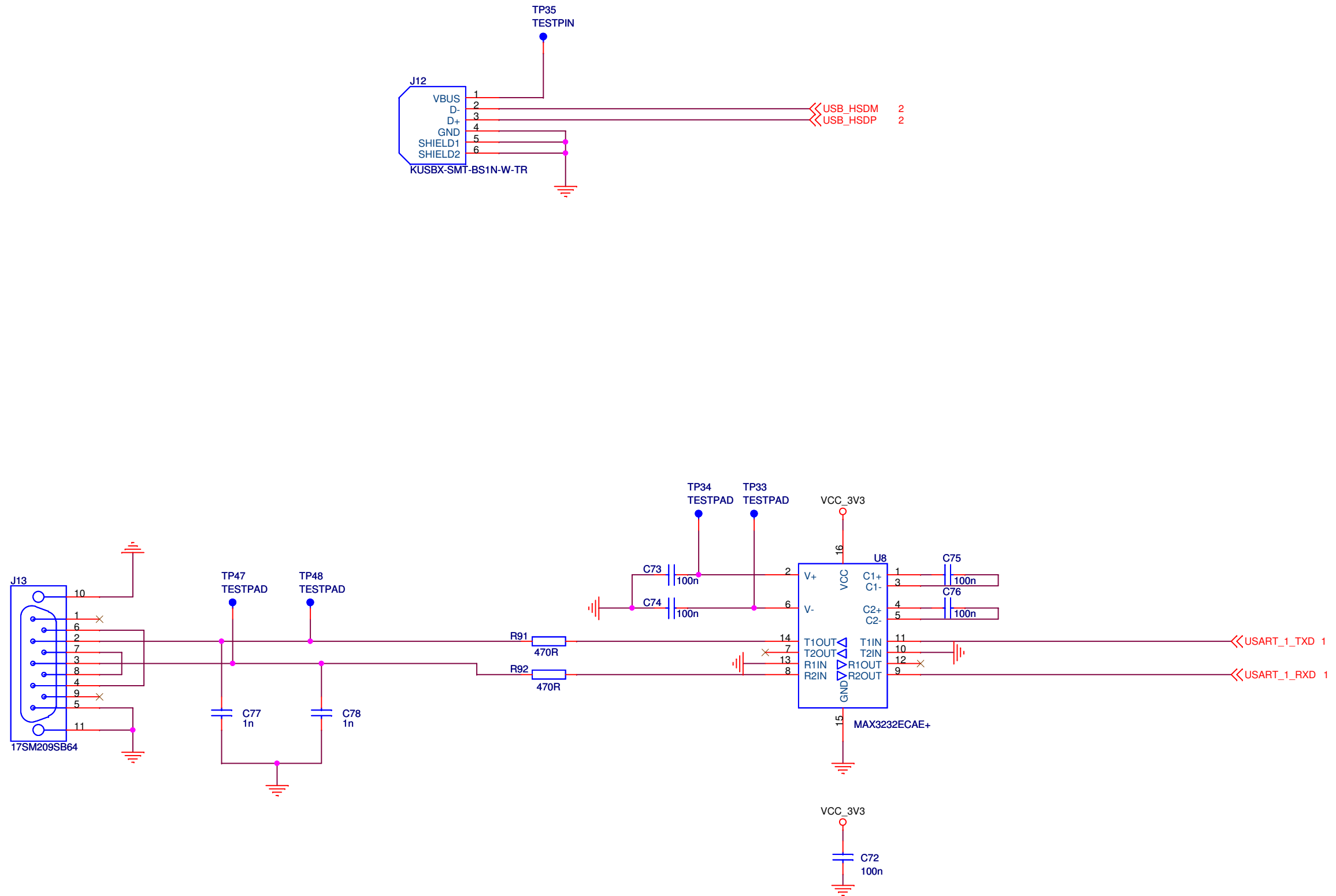
Title SD/MMC

Size A3
 Document Number <Doc>

Rev PC1

Date: Tuesday, November 07, 2006 | Sheet 7 of 13

RS-232 / USB



<Core Design>

ATMEL Norway AS
Vestre Rosten 79
N-7075 TILLER
Norway



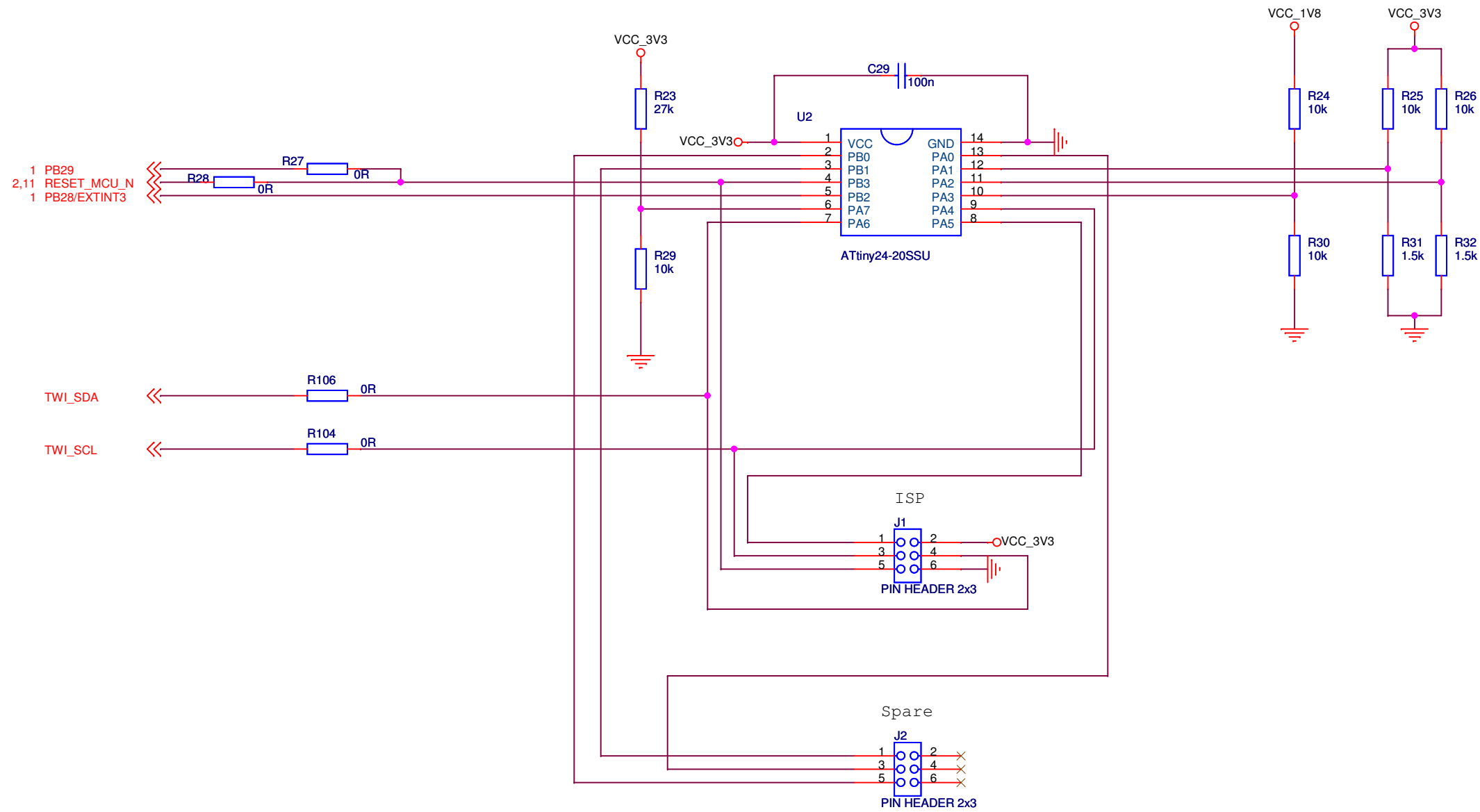
Title RS-232/USB

Size A3
Document Number <Doc>

Rev PC1

Date: Tuesday, November 07, 2006 | Sheet 8 of 13

BOARD CONTROL



ATMEL Norway AS
Vestre Rosten 79
N-7075 TILLER
Norway

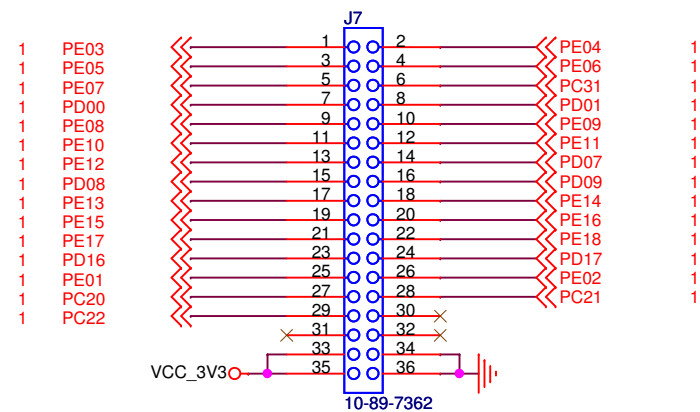
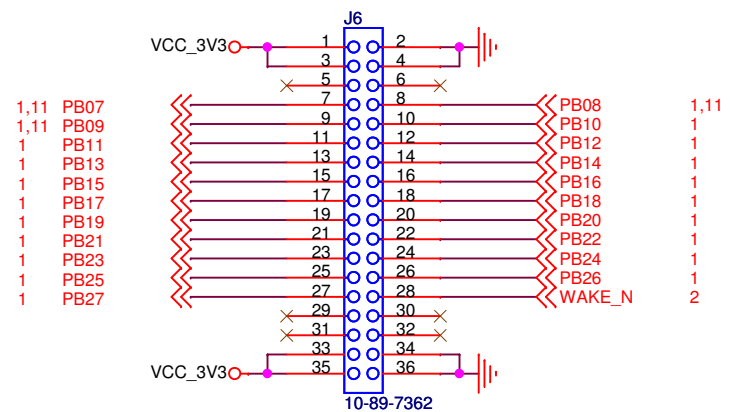
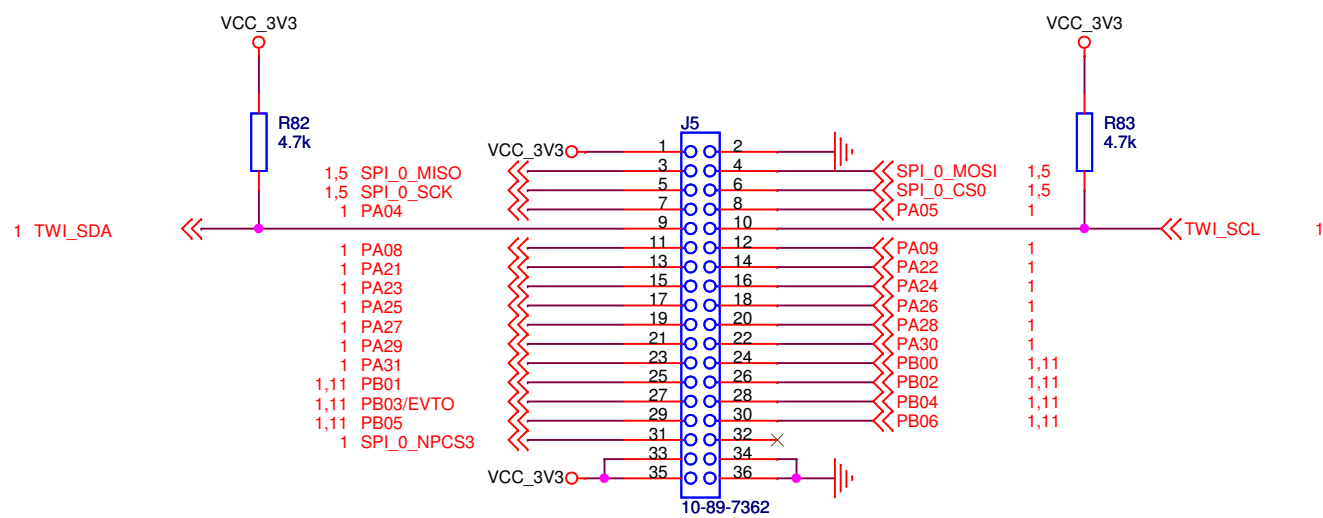


Title <Title>

Size A3 Document Number <Doc>

Rev PC1

Date: Tuesday, November 07, 2006 | Sheet 9 of 13



<Core Design>

ATMEL Norway AS
Vestre Rosten 79
N-7075 TILLER
Norway



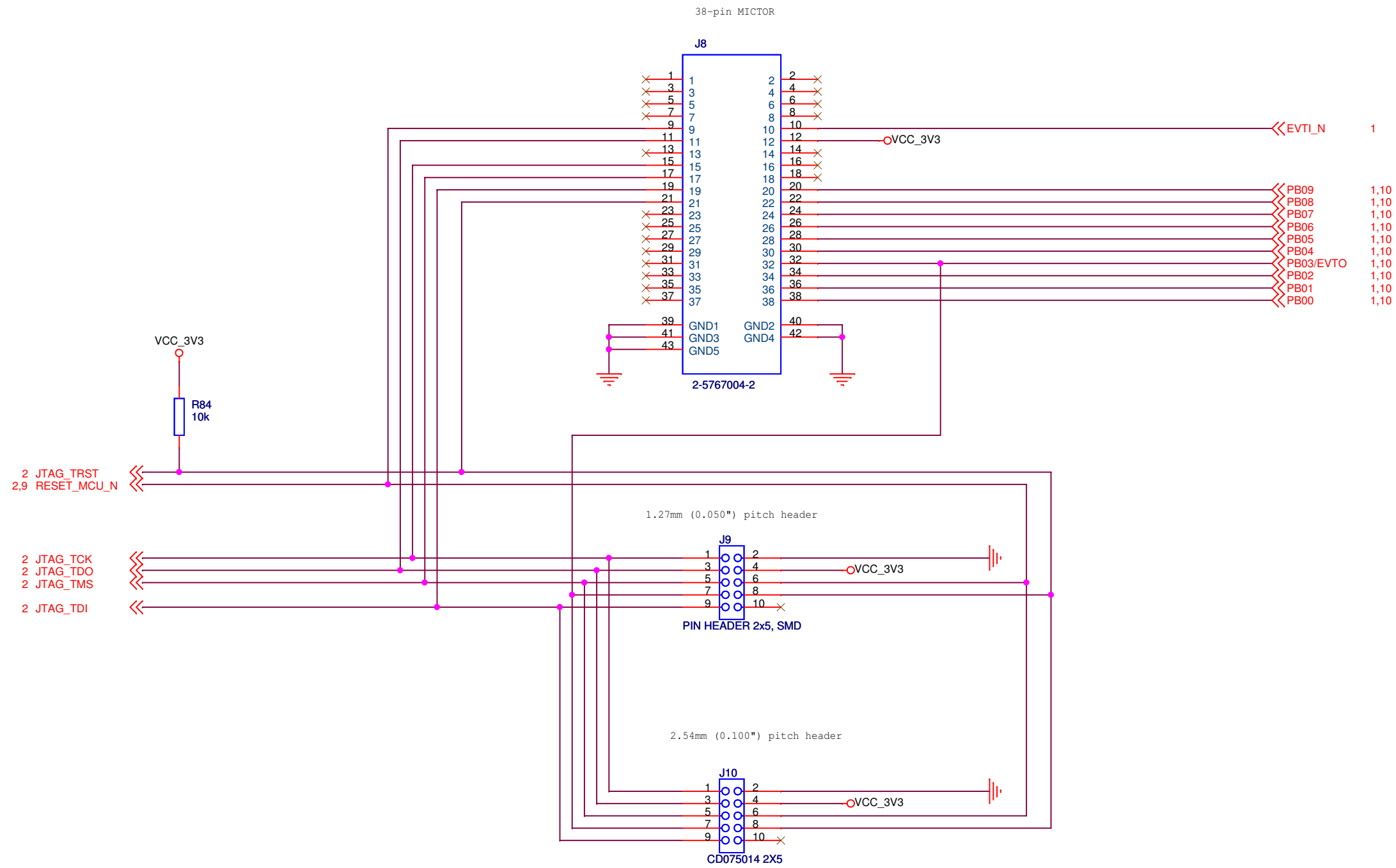
Title GPIO

Size A3
Document Number <Doc>

Rev PC1

Date: Tuesday, November 07, 2006 | Sheet 10 of 13

JTAG_NEXUS



<Core Design>

ATMEL Norway AS
Vestre Rosten 79
N-7075 TILLER
Norway



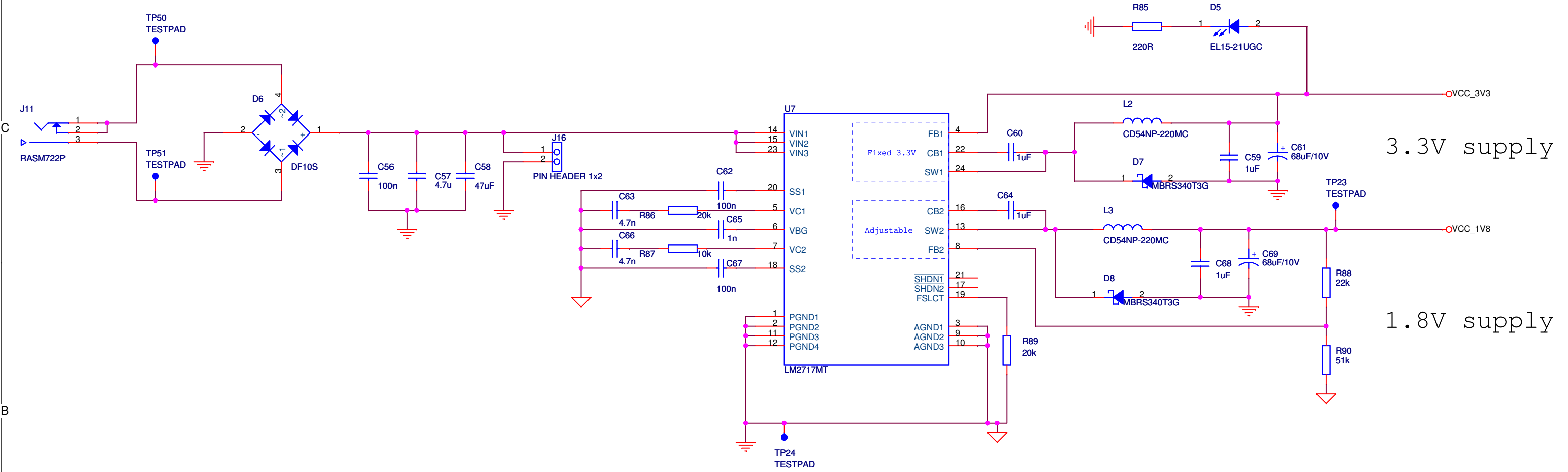
Title JTAG/NEXUS

Size A3
Document Number <Doc>

Rev PC1

Date: Tuesday, November 07, 2006 | Sheet 11 of 13

Input voltage 9-15V



3.3V supply

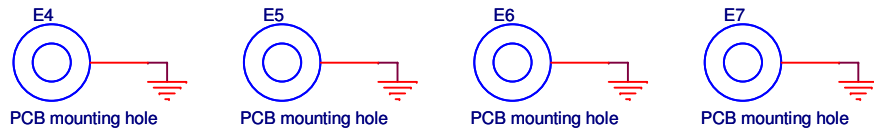
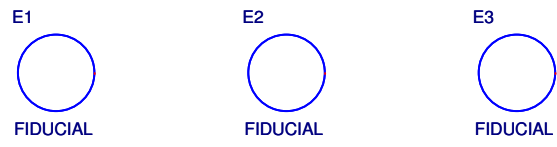
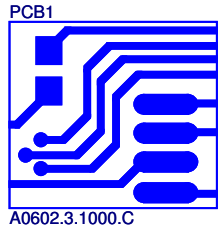
1.8V supply

<Core Design>

ATMEL Norway AS
Vestre Rosten 79
N-7075 TILLER
Norway



Title		Power
Size	Document Number	Rev
A3	<Doc>	PC1
Date:	Tuesday, November 07, 2006	Sheet 12 of 13



<Core Design>

ATMEL Norway AS
Vestre Rosten 79
N-7075 TILLER
Norway



Title Non Electrical

Size A3 Document Number <Doc>

Rev PC1

Date: Tuesday, November 07, 2006 Sheet 13 of 13

X-ON Electronics

Largest Supplier of Electrical and Electronic Components

Click to view similar products for [Sockets & Adapters](#) category:

Click to view products by [Atmel](#) manufacturer:

Other Similar products are found below :

[6508-0-00-01-00-00-33-0](#) [AC164341](#) [AC164348](#) [1262](#) [C8051F350-TB](#) [KITPF0100SKTEVBE](#) [LFVDBJR](#) [SK-AX2-CQ256-KITTOP](#)
[AC164334](#) [AC164353](#) [AC164383](#) [SOCKET-ADM106XTQZ](#) [SPC564A80CAL176](#) [ST5M1267-001](#) [FP3-10PIN-ADAPTER-KIT](#) [CY3675-](#)
[LCC4A](#) [TDGL015](#) [ATF15XXDK3-SAA100](#) [LFBGADATC](#) [SM64TQ-ACTEL-1](#) [8.06.03](#) [AC164358](#) [ATSTK600-RC99](#) [76002056](#)
[DS91230+](#) [OM13019,598](#) [09185058](#) [AC164369](#) [AC164409](#) [AC164402](#) [SMPA-ISP-ACTEL-3-KIT](#) [ICESABCM81-01](#) [LFVDBGF](#)
[AC164408](#) [LFBGADAU1A](#) [KIT 70601-3](#) [S5U13U00P00C100](#) [AC164352](#) [PN-Q208/5256V](#) [PN-T100/LC4256](#) [LFBGAINTM55U1QA](#)
[AC164370](#) [AC164355](#) [AC164367](#) [LFDAS12XEFT](#) [CY3675-TSSOP20B](#) [SPC563M64AVB144](#) [ATF15XXDK3-SAA44](#) [AC164410](#)
[SPC563M64AVB176](#)