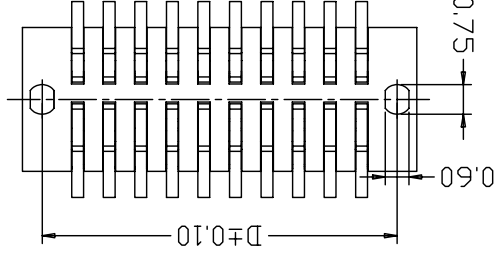
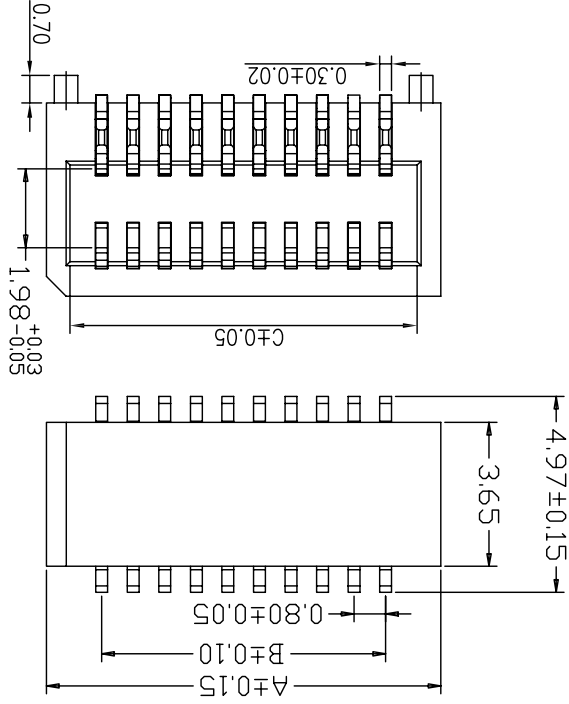
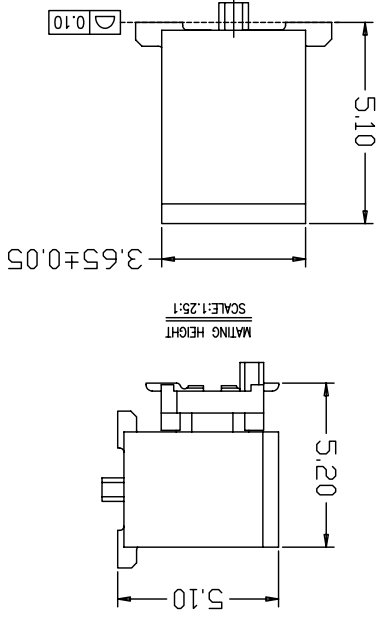
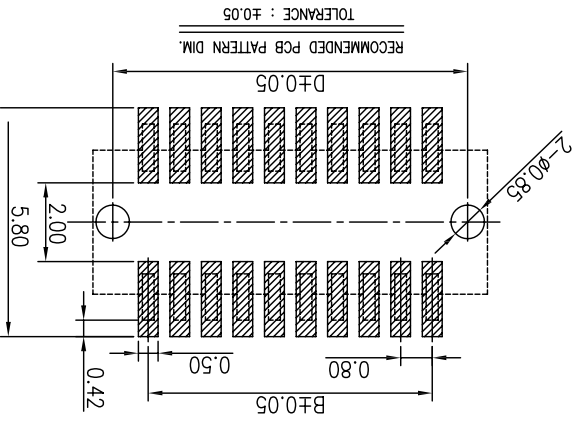


REV.	A	DATE	2014/07/07
ECN NO.	/	MODIFICATION	NEW
APPROVER	Vicky		

PIN NO.	A	B	C	D
4	3.60	0.80	2.40	2.60
6	4.40	1.60	3.20	3.40
8	5.20	2.40	4.00	4.20
10	6.00	3.20	4.80	5.00
12	6.80	4.00	5.60	5.80
14	7.60	4.80	6.40	6.60
16	8.40	5.60	7.20	7.40
18	9.20	6.40	8.00	8.20
20	10.00	7.20	8.80	9.00
22	10.80	8.00	9.60	9.80
24	11.60	8.80	10.40	10.60
26	12.40	9.60	11.20	11.40
28	13.20	10.40	12.00	12.20
30	14.00	11.20	12.80	13.00
32	14.80	12.00	13.60	13.80
34	15.60	12.80	14.40	14.60
36	16.40	13.60	15.20	15.40
38	17.20	14.40	16.00	16.20
40	18.00	15.20	16.80	17.00
42	18.80	16.00	17.60	17.80
44	19.60	16.80	18.40	18.60
46	20.40	17.60	19.20	19.40
48	21.20	18.40	20.00	20.20
50	22.00	19.20	20.80	21.00
52	22.80	20.00	21.60	21.80



**SPECIFICATIONS:**  
Voltage Rating: 60V DC  
Current Rating: 0.5A Max. (Each Pin)  
Contact Resistance: 60mΩ MAX  
Insulation Resistance: 800MΩ MIN  
Dielectric Withstanding : AC 500V  
Operating Temperature : -25°C~+85°C  
Contact Material: Copper Alloy  
Insulator Material: Thermoplastic, UL94V-0  
Plating: Gold Plated.

52	22.80	20.00	21.60	21.80
50	22.00	19.20	20.80	21.00
48	21.20	18.40	20.00	20.20
46	20.40	17.60	19.20	19.40
44	19.60	16.80	18.40	18.60
42	18.80	16.00	17.60	17.80
40	18.00	15.20	16.80	17.00
38	17.20	14.40	16.00	16.20
36	16.40	13.60	15.20	15.40
34	15.60	12.80	14.40	14.60
32	14.80	12.00	13.60	13.80
30	14.00	11.20	12.80	13.00
28	13.20	10.40	12.00	12.20
26	12.40	9.60	11.20	11.40
24	11.60	8.80	10.40	10.60
22	10.80	8.00	9.60	9.80
20	10.00	7.20	8.80	9.00
18	9.20	6.40	8.00	8.20
16	8.40	5.60	7.20	7.40
14	7.60	4.80	6.40	6.60
12	6.80	4.00	5.60	5.80
10	6.00	3.20	4.80	5.00
8	5.20	2.40	4.00	4.20
6	4.40	1.60	3.20	3.40
4	3.60	0.80	2.40	2.60

NAME: BTB		UNITS: mm		GENERAL TOLERANCE	
PART NO: BTB080***-F2S11***		MATERIAL		SELECT ✓	
TITLE: BTB0.8mm 2*XP 单槽 母座 侧插 带定位柱 合高H=5.2mm		FINISH		TOL: 1 2 3	
DWG NO. ATOM-A03549		APPD: Jason		ON: X.XXX ±0.05 ±0.15	
CHKD: Vicky		Q'TY		X.X ±0.25 ±0.50	
DR: Jillian				X. ±0.38 ±1.00	
SCALE 1:1		ANGLE ±2		±2	
SHEET 1/1					
REV A					

ATOM  
SHENZHEN ATOM TECHNOLOGY CO., LTD.  
深圳市爱特姆科技有限公司

## X-ON Electronics

Largest Supplier of Electrical and Electronic Components

*Click to view similar products for [Board to Board & Mezzanine Connectors](#) category:*

*Click to view products by [ATOM](#) manufacturer:*

Other Similar products are found below :

[10135583-642402LF](#) [89885-310LF](#) [589158040000018](#) [6-1393048-0](#) [68683-613](#) [MDF7-12DP-2.54DSA](#) [MDF7-18P-2.54DSA\(01\)](#) [MDF7-20DP-2.54DSA](#) [MDF7-26D-2.54DSA\(55\)](#) [MDF7-3P-2.54DSA\(01\)](#) [MDF7B-20P-2.54DSA\(01\)](#) [MDF7B-3P-2.54DSA\(55\)](#) [MDF7C-11P-2.54DSA\(55\)](#) [MDF7C-18P-2.54DSA\(55\)](#) [MDF7C-5P-2.54DSA\(01\)](#) [MDF7P-5P-2.54DSA\(55\)](#) [75234-0516](#) [FCN-230C068-11](#) [FCN-268F012-G/BD](#) [FCN-268F036-G/BD](#) [FCN-268M012-G/0D](#) [FCN-268M024-G/1D](#) [FCN-360C008-C](#) [FCN-360C040-C](#) [FCN-723J004/1](#) [MIS-048-01-F-D-DP-K](#) [832-10-034-10-001000](#) [93696-325LF](#) [11828-1FA](#) [AXK630345P](#) [18097-0013](#) [ICA-328STT](#) [2007042-2](#) [304400-2](#) [FCN-214Q030-G/0](#) [FCN-215Q040-G/0](#) [FCN-230C068-ESA](#) [FCN-234P048-G/0](#) [FCN-235D050-G/C](#) [FCN-360A3](#) [FCN-360C040-B](#) [210-93-314-41-105000](#) [2-22603-0](#) [379-064-521-202](#) [MDF7-12P-2.54DSA\(01\)](#) [MDF7-16P-2.54DS\(56\)](#) [MDF7-40DP-2.54DSA\(55\)](#) [MDF7-8P-2.54DSA\(55\)](#) [MDF7B-16P-2.54DSA\(55\)](#) [AXG720047](#)