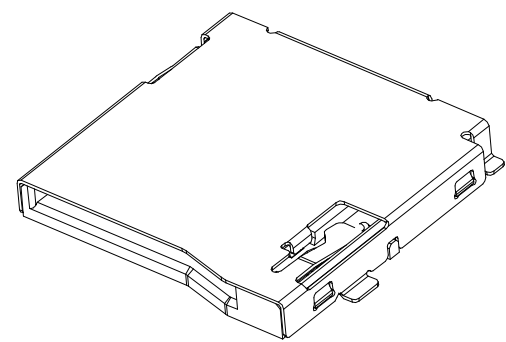
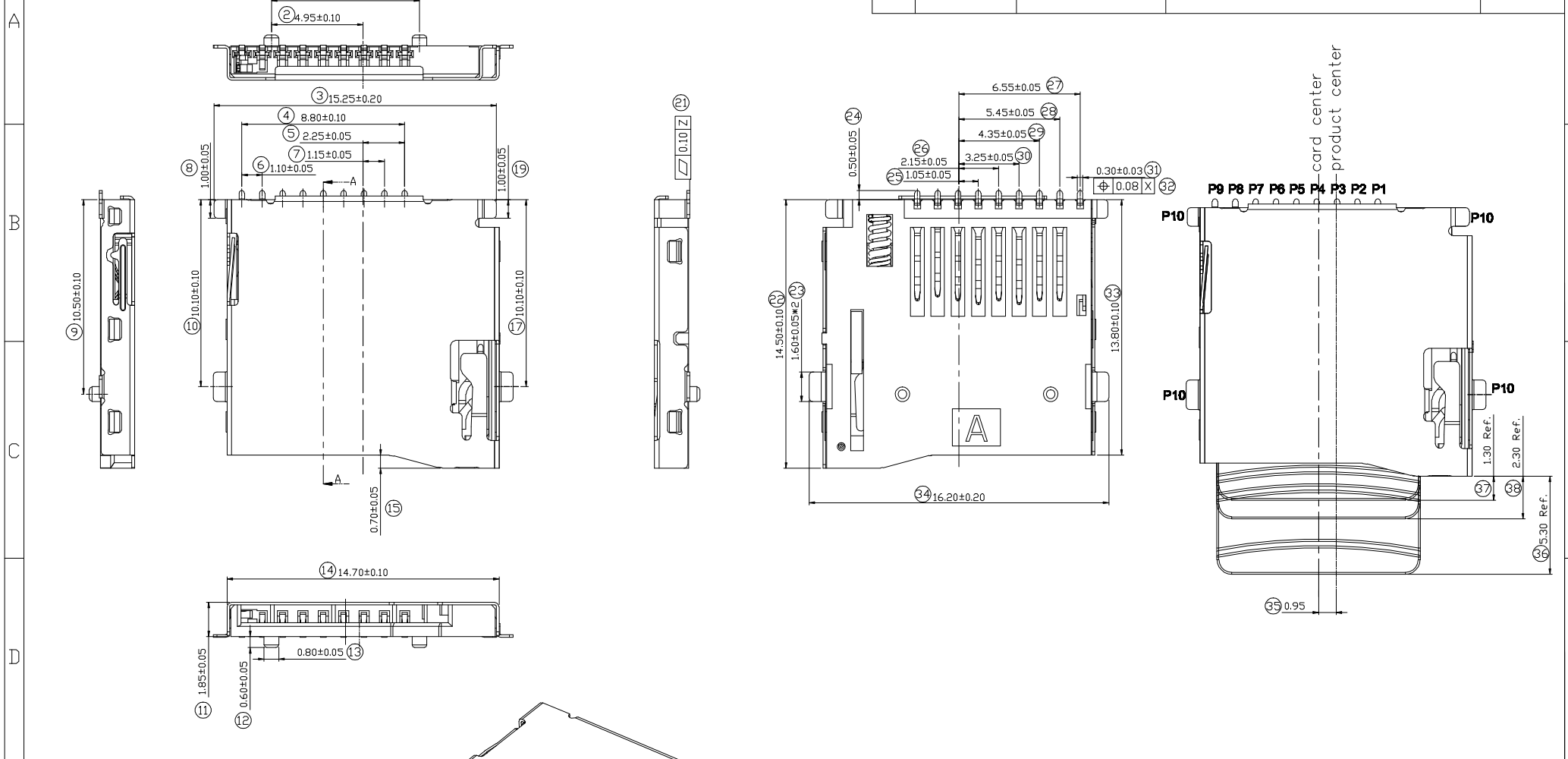


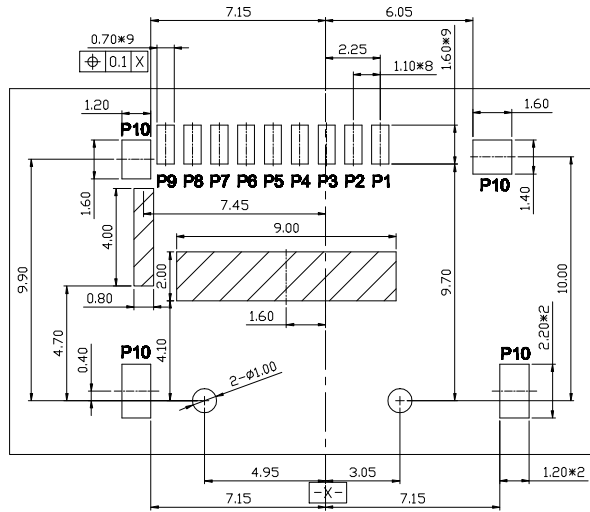
ACAD GENERATED DRAWING. DON'T CHANGE BY HAND

REV	DATE	ECN NO.	MODIFICATION	APPROVER
AO	2021/07/20		新增带锁规格	



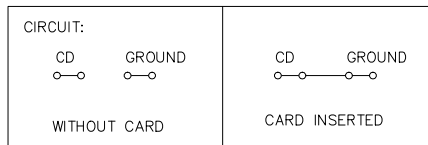
GENERAL TOLERANCE			UNITS	NAME:		ATOM [®] 深圳市爱特姆科技有限公司 SHENZHEN ATOM TECHNOLOGY CO., LTD.		
SELECT	✓		mm	Micro sd push conn.		TITLE: Micro sd push conn.(外弹型) 带锁卡功能		
DN.	TOL	1 2 3	MAT'L	PART NO: MR01A-012XX		DWG NO. ATOM-A06107		
X.XXX	±0.10	±0.05 ±0.15	FINISH	APPD:		SCALE SHEET REV		
X.XX	±0.15	±0.13 ±0.25		CHKD:		1:1 1/2 AO		
X.X	±0.20	±0.25 ±0.5	Q'TY	DR: Abel				
X.	±0.30	±0.38 ±1.00						
ANGLE	±2°							

ACAD GENERATED DRAWING. DON'T CHANGE BY HAND



RECOMMENDED PCB LAYOUT
(ALL TOLERANCE ARE ±0.05)

: PROHIBITION AREA



Pin No.	MICRO SD
PIN1	DAT2 1P
PIN2	CD/DAT3 2P
PIN3	CMD 3P
PIN4	VDD 4P
PIN5	CLK 5P
PIN6	VSS 6P
PIN7	DAT0 7P
PIN8	DAT1 8P
PIN9	CARD DETECT
PIN10	GROUND

SPECIFICATION

1.Material:

housing: High Temperature thermoplastic,UL94V-0 :black.
orbit:High Temperature thermoplastic,UL94V-0:black.
Contacts: Phosphor Bronze,
Gold/Tin at Solder Tail,
Selected Gold on Contact Area Plating.
Shell: Stainless. Pickling

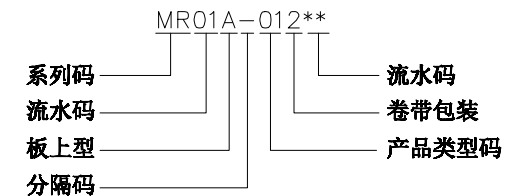
Lock card popup: Stainless. Pickling

2.Electrical Characteristics:

Operating voltage : 10V AC(rms)/DC.
Current rating : 0.5 A.
Operating Temperature: -40°C~+105°C.
Insulation resistance: 1000M ohms min. at 250VDC
Dielectric withstanding voltage:500 VAC/1minute.
Contact resistance: 100m ohms max.

3.Mechanical characteristics

3.1 Mating durability:10000 cycles.
3.2 Insertion force: 30N Max.
3.3 Extraction force: 1~30N
3.4 Mating cycle: 10000 cycles at the speed rate of
400-600 cycles/h; Without distortion of plastic and
serious wear and tear in terminal, No signal break.



GENERAL TOLERANCE			UNITS	NAME:	ATOM [®] 深圳市爱特姆科技有限公司 SHENZHEN ATOM TECHNOLOGY CO., LTD.			
SELECT	✓		mm	Micro sd push conn.	PART NO:	TITLE: Micro sd push conn.(外弹型) 带锁卡功能		
TOL	1	2			MRO1A-012XX	DWG NO. ATOM-A06107		
DN.				MAT'L	APPD:	SCALE SHEET REV		
X.XXX	±0.10	±0.05	±0.15		CHKD:	1:1 2/2 A0		
X.XX	±0.15	±0.13	±0.25	FINISH	DR: Abel			
X.X	±0.20	±0.25	±0.5					
X.	±0.30	±0.38	±1.00	Q'TY				
ANGLE	±2°							

X-ON Electronics

Largest Supplier of Electrical and Electronic Components

Click to view similar products for [Memory Card Connectors](#) category:

Click to view products by [ATOM](#) manufacturer:

Other Similar products are found below :

[6407-249V-25273P](#) [6407-249V-25343P](#) [6426-201-21343](#) [69.920.0553.0](#) [MCR60A-98D-2.54DSA\(70\)](#) [809180410000000](#) [DM3AT-SF-PEJM5\(41\)](#) [IC11S-BUR-PNEJL\(71\)](#) [C70210M0083692](#) [2041353-2](#) [308-DS1P0811-192](#) [HM2P09PDR360N9LF](#) [10014744-011TLF](#) [11327-001](#) [11327-002](#) [NX1-32T-KT3K\(05\)](#) [95622-003LF](#) [84648-056HLF](#) [CCM03-3109 B LFT](#) [MS3116J10-6PW](#) [2309923-1](#) [61126-050CAHLF](#) [GTFP08432B1HR](#) [G85D1160022HHR](#) [SCE2MSDZN76A121SN](#) [10014744-011ALF](#) [10014744-011LF](#) [10057542-1211FLF](#) [10067972-000LF](#) [10067972-050LF](#) [10122302-20110LF](#) [G85D1162022HHR](#) [TF-05A](#) [M6014-12](#) [SMN-304-ARP6](#) [MIS11-S1F1-2000-A](#) [SMN-308-ARSP7](#) [MCS-302S-KT1B](#) [SMN-308-ACSP7](#) [K-DYX-008](#) [K-DYX-004](#) [HYCW126-TF18-150B](#) [C7024-03](#) [SMO-1030](#) [MCS-110-KT](#) [SIM-217](#) [SNO-1355-KT](#) [SMO-1025-P10](#) [SIM-211S-P6](#) [SNO-1440](#)