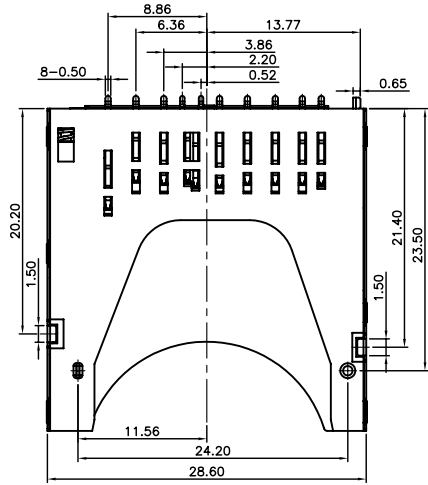
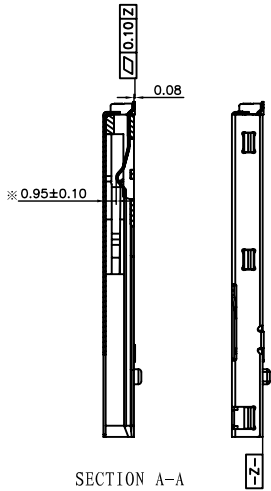
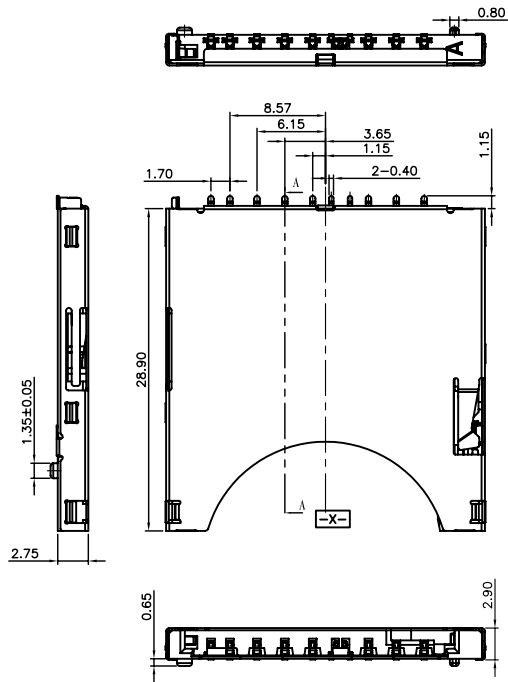


REV	DATE	ECN NO.	MODIFICATION	APPROVER
C	2011/05/09	RD00311050901	增加产品电镀规格, 详见"ⓐ"处	HYQ
D	2012/04/20	RD00312042001	依实物修改图面尺寸, 详见"ⓑ"处	Jason
E	2013/10/11	RD00313101101	依实物修改图面尺寸, 详见"ⓒ"处	Jason

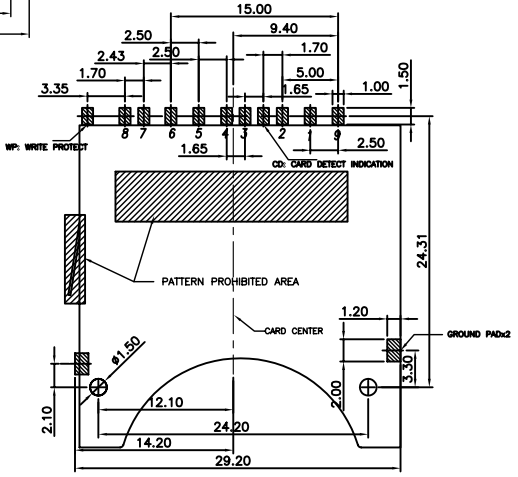
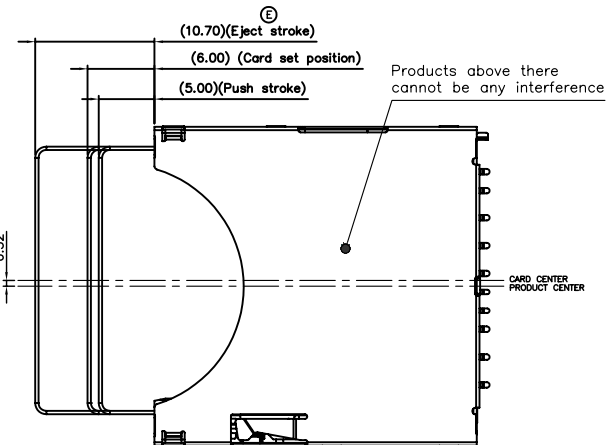
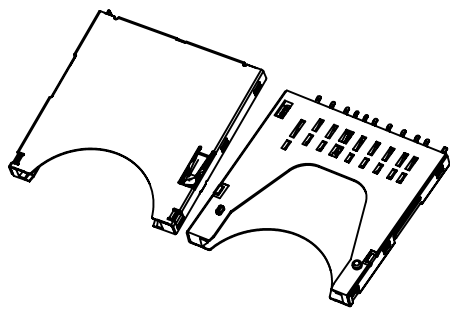


SPECIFICATION

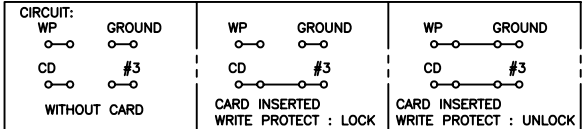
1. Material:
 Insulator: LCP, rated UL94V-0, color: black.
 Contacts: Phosphor Bronze, Tin 160u" at Solder Tail, Selected Gold on Contact Area Plating.
 WP Contact: Phosphor Bronze, Tin 160u" at Solder Tail, Selected Gold on Contact Area Plating.
 Shell: Stainless. Pickling

2. Electrical Characteristics:
 Operating voltage : 100V AC(rms)/DC.
 Current rating : 0.5 A.
 Operating Temperature: -25°C~+90°C.
 Insulation resistance: 1000M ohms min. at 250VDC
 Dielectric withstanding voltage: 500 VAC/1minute.
 Contact resistance: 100m ohms max.
 Mating cycle: 10000 cycles at the speed rate of 400-600 cycles/h; Without distortion of plastic and serious wear and tear in terminal, No signal break.

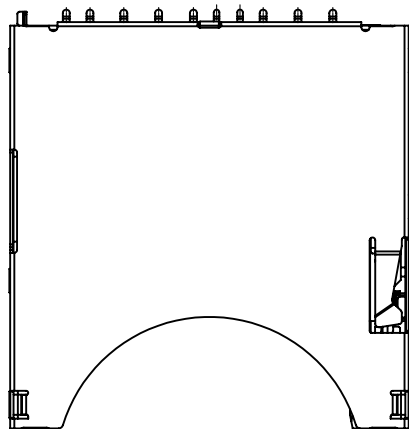
3. Product special future symbol: "※".



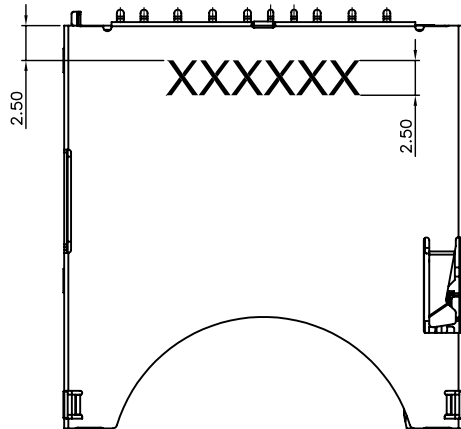
Pin No.	SD	MMC
P1	MMC-DAT3 SD-CD/DAT3	1P 1P
P2	MMC-CMD SD-CMD	2P 2P
P3	MMC-VSS1 SD-VSS1	3P 3P
P4	MMC-VDD SD-VDD	4P 4P
P5	MMC-CLK SD-CLK	5P 5P
P6	MMC-VSS2 SD-VSS2	6P 6P
P7	MMC-DAT0 SD-DAT0	7P 7P
P8	SD-DAT1	8P
P9	SD-DAT2	9P



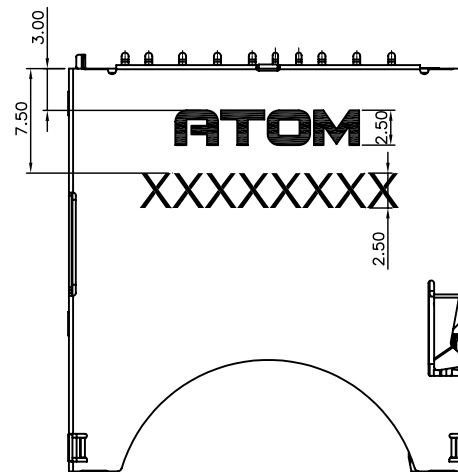
GENERAL TOLERANCE SELECT <input checked="" type="checkbox"/> 1 2 3 ON. TOL. 1 2 3 X.XXX ±0.10±0.05±0.15 X.XX ±0.15±0.13±0.25 X.X ±0.20±0.25±0.5 X. ±0.30±0.35±1.00 ANGLE ±2°	UNITS mm	NAME: SD PUSH PUSH conn.	ATOM 深圳市爱特姆科技有限公司 SHENZHEN ATOM TECHNOLOGY CO., LTD.							
	MAT'L	PART NO: SD01A-01***		TITLE: SD PUSH PUSH conn.(post ø1.35)						
	FINISH	APPD: Jason	DWG NO. ATOM-A01458							
	Q'TY	CHKD: Vicky	<table border="1"> <tr> <th>SCALE</th> <th>SHEET</th> <th>REV</th> </tr> <tr> <td>1:1</td> <td>1/2</td> <td>E</td> </tr> </table>		SCALE	SHEET	REV	1:1	1/2	E
	SCALE	SHEET			REV					
1:1	1/2	E								
	DR: Aimee									



第一种:外壳无喷码



第二种:外壳有喷码 (年月日)




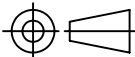
第三种:外壳有喷码 (ATOM+年月日)

NOTES:1.XXXXXX:Year Month Day, e.g. May 4th, 2010,
jet printing 100504
2.XXXXXXXXX:Year Month Day, e.g. May 4th, 2010,
jet printing 20100504

GENERAL TOLERANCE			
SELECT	✓		
TOL.	1	2	3
ON.			
X.XXX	±0.10	±0.05	±0.15
X.XX	±0.15	±0.13	±0.25
X.X	±0.20	±0.25	±0.5
X.	±0.30	±0.35	±1.00
ANGLE	±2'		

UNITS	mm
MAT'L	
FINISH	
Q'TY	

NAME:	SD PUSH PUSH conn.
PART NO:	SD01A-01***
APPD:	Jason
CHKD:	Vicky
DR:	Aimee

 深圳市爱特姆科技有限公司 SHENZHEN ATOM TECHNOLOGY CO., LTD.	
TITLE: SD PUSH PUSH conn.(post Ø1.35)	
DWG NO. ATOM-A01458	
	SCALE
	1:1
SHEET	2/2
REV	E

X-ON Electronics

Largest Supplier of Electrical and Electronic Components

Click to view similar products for [Standard Card Edge Connectors](#) category:

Click to view products by [ATOM](#) manufacturer:

Other Similar products are found below :

[6565204-6](#) [PKC-156](#) [1437274-4](#) [147889-1](#) [1489165-4](#) [EBT156-12B1X](#) [EBT15622B2X](#) [EBT156-22R2W](#) [1-582587-1](#) [1-582589-1](#) [2-6437275-9](#) [284-0102-12100](#) [306022901000000](#) [307-012-502-202](#) [307-024-526-201](#) [307-056-520-300](#) [307-080-526-208](#) [1926088-2](#) [245-062-520-350](#) [287-0032-12101](#) [306-010-500-112](#) [306-028-525-102](#) [306-240-318](#) [307-036-502-202](#) [307-036-521-301](#) [307-072-526-202](#) [345-060-559-303](#) [368-004-520-201](#) [392-008-559-201](#) [534671-1](#) [5-530501-5](#) [341-240-317](#) [345-029-520-300](#) [345-030-500-301](#) [345-044-500-300](#) [345-220-058](#) [346-240-318](#) [357-030-526-201](#) [387-012-523-300](#) [395-044-520-300](#) [395-100-524-300](#) [50-12B-10](#) [50-6SN-5](#) [09-07-2032](#) [10035388-106LF](#) [10035388-802LF](#) [10115859-011LF](#) [10122859-009LF](#) [101269333204245CLF](#) [10127905-B04B24BLF](#)