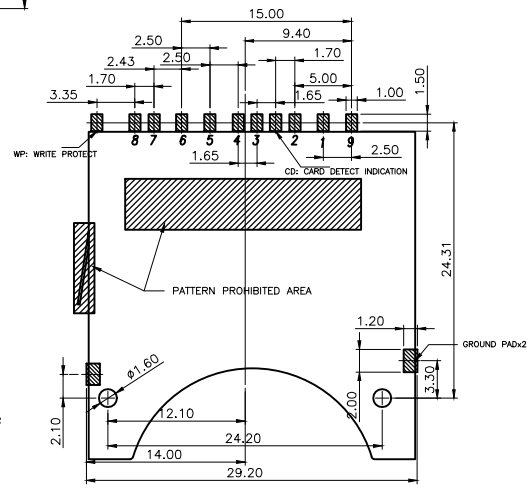
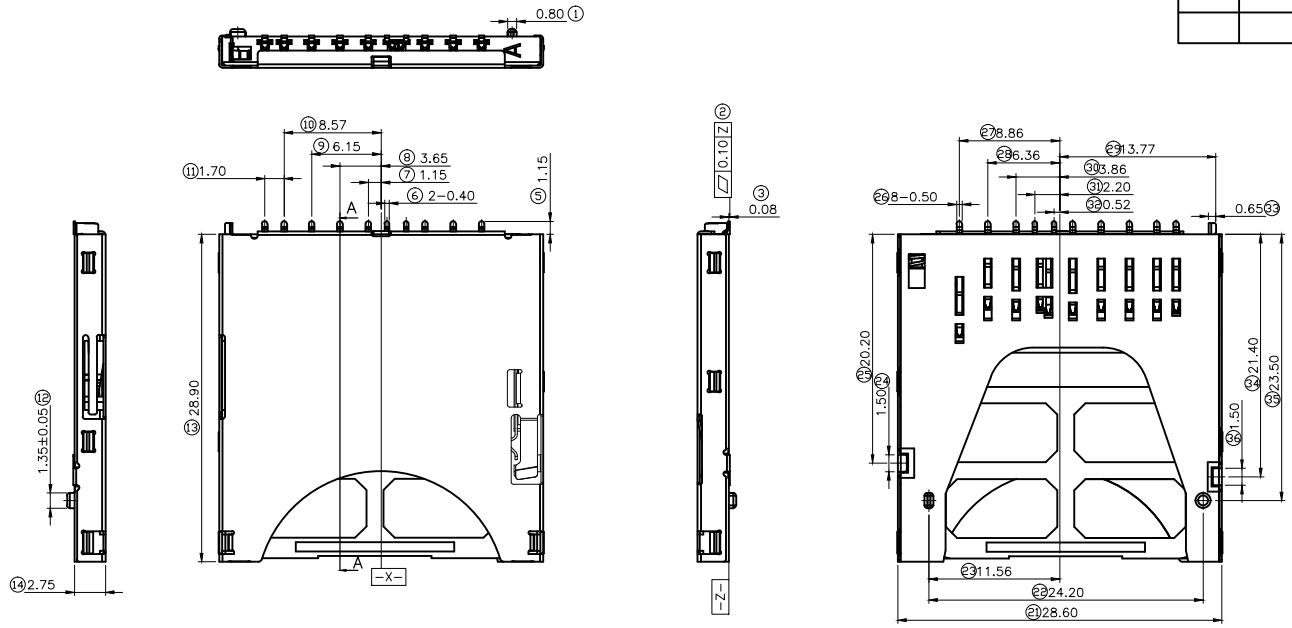


REV	DATE	ECN NO.	MODIFICATION	APPROVER
A	2021.05.13	/	NEW	Jason

SPECIFICATION

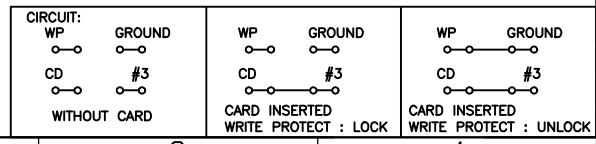
1.Material:
 Insulator: LCP, rated UL94V-0,color:black.
 Contacts: Phosphor Bronze,
 Tin 160u" at Solder Tail,
 Selected Gold 3u" on Contact Area Plating.
 Ground:Phosphor Bronze,Tin 160u".
 Shell: Stainless. Pickling

2.Electrical Characteristics:
 Operating voltage : 100V AC(rms)/DC.
 Current rating : 0.5 A.
 Operating Temperature: -40°C~+90°C.
 Insulation resistance: 1000M ohms min. at 250VDC
 Dielectric withstanding voltage:500 VAC/1minute.
 Contact resistance: 100m ohms max.
 Mating cycle: 10000 cycles at the speed rate of
 400-600 cycles/h; Without distortion of plastic
 and serious wear and tear in terminal, No signal break.



RECOMMENDED PCB LAYOUT
(ALL TOLERANCE ARE ±0.05)

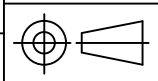
Pin No.	SD	MMC
P1	MMC-DAT3 SD-CD/DAT3	1P 1P
P2	MMC-CMD SD-CMD	2P 2P
P3	MMC-VSS1 SD-VSS1	3P 3P
P4	MMC-VDD SD-VDD	4P 4P
P5	MMC-CLK SD-CLK	5P 5P
P6	MMC-VSS2 SD-VSS2	6P 6P
P7	MMC-DAT0 SD-DAT0	7P 7P
P8	SD-DAT1	8P
P9	SD-DAT2	9P



GENERAL TOLERANCE	UNITS mm	NAME:	SD PUSH PUSH conn.		
SELECT	MAT'L	PART NO:	SD01A-01220		
DN. TOL	FINISH	APPD:	Jason		
X.XXX ±0.10 ±0.05 ±0.15	Q'TY	CHKD:	Abel		
X.XX ±0.15 ±0.13 ±0.25	ANGLE ±2°	DR:	Ming		
X.X ±0.20 ±0.25 ±0.5					
X. ±0.30 ±0.38 ±1.00					

TITLE:		SD CARD PUSH-PUSH 带锁卡功能 内焊带假卡		
DWG NO.		ATOM-A05900		
SCALE	SHEET	REV		
1:1	1/1	A		

ATOM 深圳市爱特姆科技有限公司
SHENZHEN ATOM TECHNOLOGY CO., LTD.



X-ON Electronics

Largest Supplier of Electrical and Electronic Components

Click to view similar products for [Memory Card Connectors](#) category:

Click to view products by [ATOM](#) manufacturer:

Other Similar products are found below :

[6407-249V-25273P](#) [6407-249V-25343P](#) [6426-201-21343](#) [69.920.0553.0](#) [MCR60A-98D-2.54DSA\(70\)](#) [809180410000000](#) [DM3AT-SF-PEJM5\(41\)](#) [IC11S-BUR-PNEJL\(71\)](#) [C70210M0083692](#) [2041353-2](#) [308-DS1P0811-192](#) [HM2P09PDR360N9LF](#) [10014744-011TLF](#) [11327-001](#) [11327-002](#) [NX1-32T-KT3K\(05\)](#) [95622-003LF](#) [84648-056HLF](#) [CCM03-3109 B LFT](#) [MS3116J10-6PW](#) [2309923-1](#) [61126-050CAHLF](#) [GTFP08432B1HR](#) [G85D1160022HHR](#) [SCE2MSDZN76A121SN](#) [10014744-011ALF](#) [10014744-011LF](#) [10057542-1211FLF](#) [10067972-000LF](#) [10067972-050LF](#) [10122302-20110LF](#) [G85D1162022HHR](#) [TF-05A](#) [M6014-12](#) [SMN-304-ARP6](#) [MIS11-S1F1-2000-A](#) [SMN-308-ARSP7](#) [MCS-302S-KT1B](#) [SMN-308-ACSP7](#) [K-DYX-008](#) [K-DYX-004](#) [HYCW126-TF18-150B](#) [C7024-03](#) [SMO-1030](#) [MCS-110-KT](#) [SIM-217](#) [SNO-1355-KT](#) [SMO-1025-P10](#) [SIM-211S-P6](#) [SNO-1440](#)