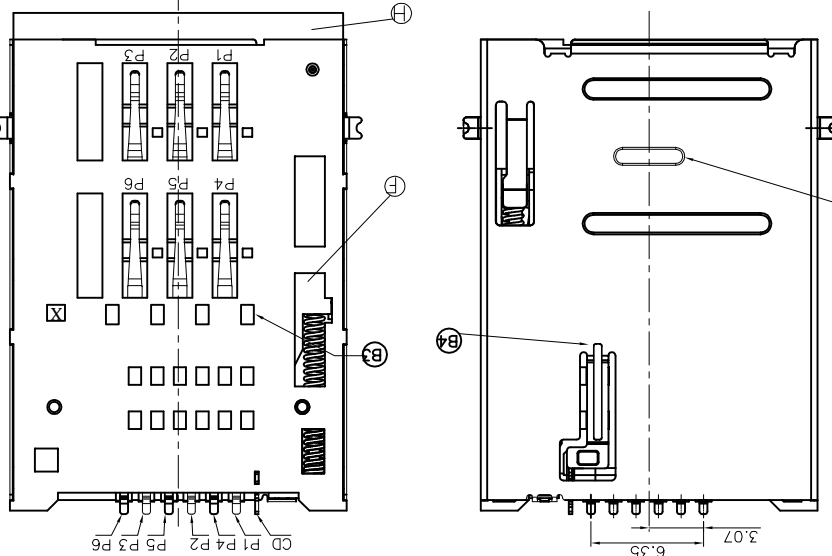


GENERAL TOLERANCE	
SELECT	✓
ON. TOL.	1 2 3
MATL	
FINISH	
Q'TY	
UNITS	mm

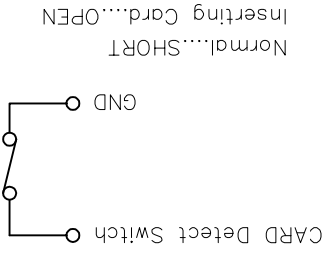
NAME:	PUSH PUSH TYPE SIM CARD
PART NO.:	S127C-01***
APPD.:	JASON
CHKD.:	JACK
DR.:	Abel
DWG NO.:	ATOM-A02982
TITLE:	SIM CARD 6P PUSH MOLDING TYPE
SHENZHEN ATOM TECHNOLOGY CO., LTD. 深圳市爱特姆科技有限公司	
SCALE SHEET REV B4	

- Material:
  - 1.1 Insulator: HIGH TEMP. PLASTIC, rated UL94V-0,color:black.
  - 1.2 Terminal: Copper Alloy,Tin 100u" Min. at Solder Tail,Selective Gold on Contact Area Plating.
  - 1.3 Terminal: Copper Alloy,Tin 100u" Min. at Solder Tail,Selective Gold on Contact Area Plating.
  - 1.4 Shell: Stainless Steel.
- Mechanical and Electrical performance:
  - 2.1 Mating Cycles: 5000 cycles(speed:400~600 cycles/h).
  - 2.2 Rating current:0.5A Max.
  - 2.3 Insulation resistance: 100MΩ Min. at 500 V DC.
  - 2.4 Terminal contact resistance: 100MΩ Max.
  - 2.5 Withstanding voltage:500V AC at 1mA Max. for 1 minute.
- Environment performance:
  - 3.1 Operating temperature: -20℃~+70℃
  - 3.2 Storage temperature: -40℃~+85℃



REV	DATE	ECN NO.	MODIFICATION	APPROVER
B4	2019/07/15		增加压NANO CARD 凸包, 弹片凸包加长优化正向力	Abel
B3	2017/12/25		优化生产,增加端子压料	Dan
B2	2017/11/13		优化产品结构,修改焊脚宽度与实物一至	Dan
B1	2017/01/17		增加尺寸管控	JACK
				APPROVER

terminal NO.	Pin NO.
Pin 1	VCC: PWR signal and GND
Pin 2	RST: Reset signal
Pin 3	CLK: Clocking signal
Pin 4	GND: PWR signal and GND
Pin 5	VPP: programming Voltage
Pin 6	I/O : serial date input/output



GENERAL TOLERANCE	SELECT	ON. TOL.	ANGLE
	✓	1 2 3	±2°
			X
			X X
			X X X
			X X X X

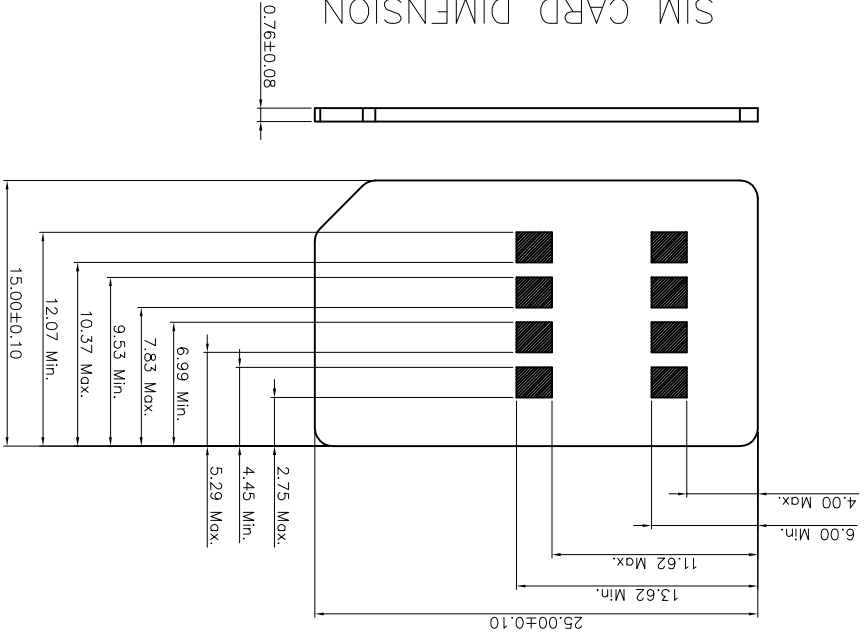
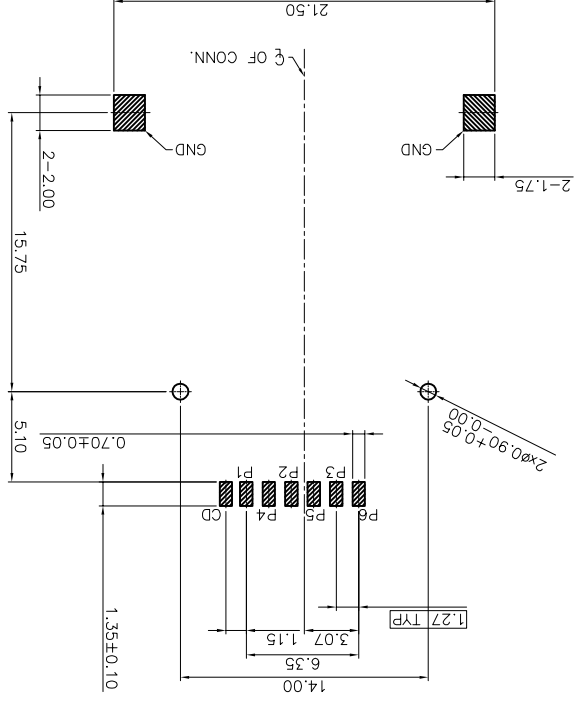
UNITS	MATL	FINISH	Q'TY
mm			

NAME:	PUSH PUSH TYPE SIM CARD
PART NO.:	SI27C-01***
APPD.:	JASON
CHKD.:	JACK
DR.:	Abel
DWG NO.	ATOM-A02982
TITLE:	SIM CARD 6P PUSH TYPE MOLDING TYPE
SCALE	1:1
SHEET	2/2
REV	B4

PIN ASSIGNMENTS

SIM CARD 6P

ITEM	PART NAME	MATERIAL	Q'TY	REMARK
①	DUMMY CARD	HIGH TEMP. PLASTIC	1 PCS	With or without
②	CD TERMINAL	COPPER ALLOY	1 PCS	
③	SLIDER	HIGH TEMP. PLASTIC	1 PCS	
④	HOOK	STAINLESS STEEL	1 PCS	
⑤	SPRING	SWP	1 PCS	
⑥	SHELL	STAINLESS STEEL	1 PCS	
⑦	TREMINAL	COPPER ALLOY	6 PIN	
⑧	HOUSING	HIGH TEMP. PLASTIC	1 PCS	



SIM CARD DIMENSION

## X-ON Electronics

Largest Supplier of Electrical and Electronic Components

*Click to view similar products for [Memory Card Connectors](#) category:*

*Click to view products by [ATOM](#) manufacturer:*

Other Similar products are found below :

[M10-597810-355](#) [M21-033321-005](#) [6426-201-21343](#) [69.920.0553.0](#) [MCR60A-98D-2.54DSA\(70\)](#) [FCN-568P068-G/07-4V](#) [809180410000000](#)  
[95622-003LF](#) [AD2-262F-38900-232](#) [DM3AT-SF-PEJM5\(41\)](#) [EN2997S72039F6](#) [N7E50-7516PG-20-WF](#) [IC11S-BUR-PNEJL\(71\)](#) [NX30TA-](#)  
[15PAA\(50\)](#) [21920-5](#) [2041353-2](#) [FUA006-3220-0](#) [308-DS1P0811-192](#) [33CFAE-DN](#) [MI21A-50PD-SF-EJR\(91\)](#) [502431-1011](#) [5175651-2](#) [10-](#)  
[247926-166](#) [10-629549-258N](#) [11327-001](#) [11327-002](#) [EN2997S02039B8](#) [EN2997S61212BN](#) [EN2997S72039B6](#) [EN2997SE02039B8](#)  
[EN2997SE61212BN](#) [EN2997SE72039B6](#) [603020000](#) [617230001](#) [71-252718-32P](#) [NX1-32T-KT3K\(05\)](#) [95622-003LF](#) [91-570124-15P](#)  
[192900-0488](#) [N7E50-U516RB-50-SIN0005](#) [DM1AA-SF-PEJ](#) [95079-00CALF](#) [84648-056HLF](#) [68-580163-21S](#) [33DVIR-29S12R](#)  
[SF58S006VBBR2000](#) [93-570123-08P](#) [GMC020080HR](#) [125A-78C00](#) [1010040575#](#)