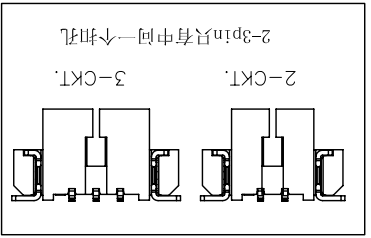
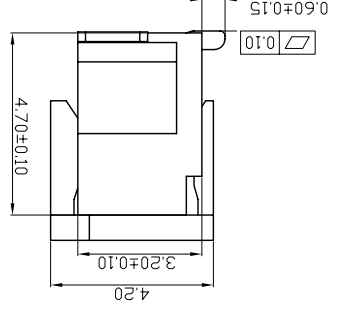
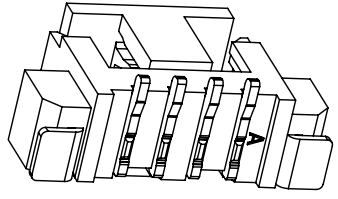
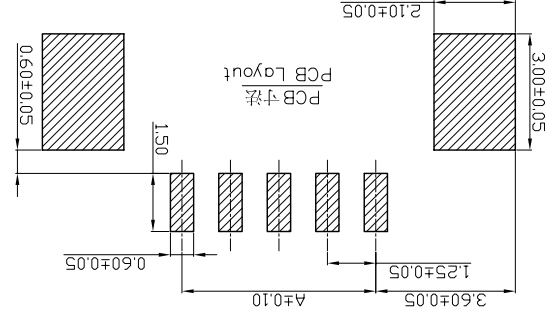
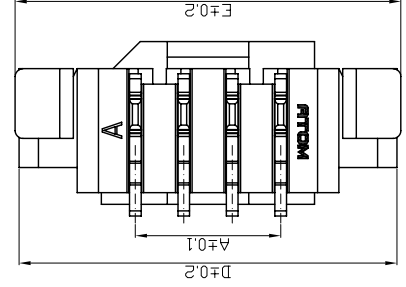
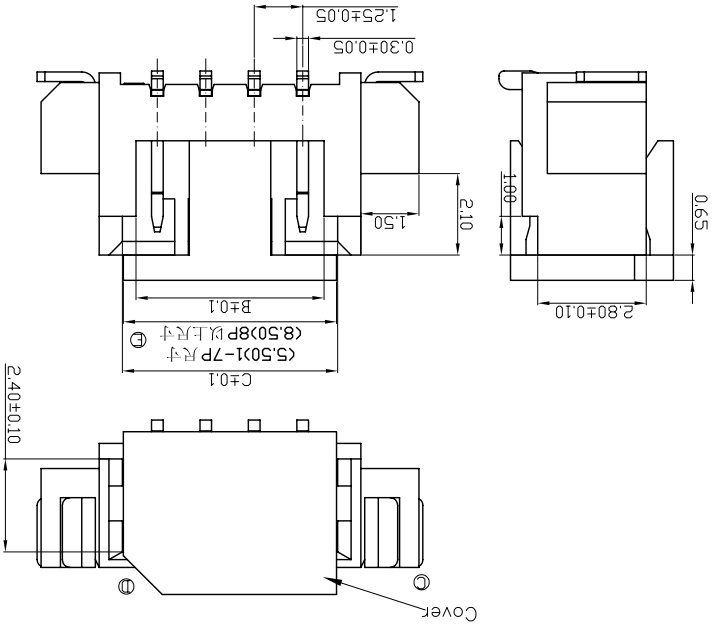


ACAD GENERATED DRAWING. DON'T CHANGE BY HAND

1.25mm PITCH WIRE TO BOARD CONNECTOR

REV	DATE	ECN NO.	MODIFICATION	APPROVER
B	2010/12/17	RD00310121701	版本升级	HYQ
C	2012/04/13	RD00312041301	增加夹持盖和尺寸管控	Jason_Lee
D	2014/09/30	RD00314093001	增加防呆设计, 夹持盖倒角	Jason_Lee
E	2015/11/30	RD00315113001	新增8P以上夹持盖规格	Jason_Lee



SPECIFICATION

- Material: Thermoplastic, UL94V-0,color:Natural.
Contacts: copper alloy.
Solder tab: copper alloy.
Tin/Gold plated over nickel plated
- Electrical Characteristics:
Voltage rating: 125V(rms).
Current rating: 1A(max).
Operating Temperature: -25C~+85C.
Storage Temperature: -5C~+35C, 70%RH,MAX.(No condensation)
Insulation resistance: 1000M ohms min. at 500VDC
Dielectric withstanding voltage: 500 VAC/1minute.
Contact resistance: 50m ohms max.

孔位	A	B	C	D	E
2	1.25	2.35	3.05	7.25	7.45
3	2.50	3.60	4.30	8.50	8.70
4	3.75	4.85	5.55	9.75	9.95
5	5.00	6.10	6.80	11.00	11.20
6	6.25	7.35	8.05	12.25	12.45
7	7.50	8.60	9.30	13.50	13.70
8	8.75	9.85	10.55	14.75	14.95
9	10.00	11.10	11.80	16.00	16.20
10	11.25	12.35	13.05	17.25	17.45
11	12.50	13.60	14.30	18.50	18.70
12	13.75	14.85	15.55	19.75	19.95
13	15.00	16.10	16.80	21.00	21.20
14	16.25	17.35	18.05	22.25	22.45
15	17.50	18.60	19.30	23.50	23.70
16	18.75	19.85	20.55	24.75	24.95
17	20.00	21.10	21.80	26.00	26.20
18	21.25	22.35	23.05	27.25	27.45
19	22.50	23.60	24.30	28.50	28.70
20	23.75	24.85	25.55	29.75	29.95

NAME: 1.25mm W-T0-B CONN. (立贴式)		SHENZHEN ATOM TECHNOLOGY CO., LTD.	
PART NO: WF125**-02***		TITLE: 1.25mm W-T0-B CONN. (立贴式)	
APPD: Jason_Lee		DWG NO. ATM-A01468	
CHKD: Vcky		SCALE 1:1	
DR: XH		REV 1/1	
Q'TY		E	
FINISH		7	
MAT'L		6	
UNITS mm		5	
SELECT		4	
TOL		3	
DN		2	
XXXX		1	
X.XX		0.05	
X.X		0.025	
X		0.038	
ANGLE ±2°		0.100	

X-ON Electronics

Largest Supplier of Electrical and Electronic Components

Click to view similar products for [Headers & Wire Housings](#) category:

Click to view products by [ATOM](#) manufacturer:

Other Similar products are found below :

[95000-104TRLF](#) [10135584-644402LF](#) [DF62W-EP2022PCA](#) [95000-106TRLF](#) [DF62W-2022SCA](#) [DF62W-EP2022PC](#) [2203348](#) [DF62W-2022SC](#) [1084018](#) [1029039](#) [1084017](#) [802-10-012-10-002000](#) [1112640](#) [1112639](#) [891-007-9SS-BST1T](#) [000-34000](#) [0008550134](#) [0009482033](#) [0009507031](#) [57102-F02-18ULF](#) [57102-S06-03LF](#) [57202-S52-04LF](#) [PCN6-15S-2.5E](#) [0039019024](#) [58102-G61-06LF](#) [582553-1](#) [0009485154](#) [0009508121](#) [0022285053](#) [0050291907](#) [018731A](#) [LY20-4P-DT1-P1E-BR](#) [02.125.8002.8](#) [60101931](#) [60598-1 \(Cut Strip\)](#) [M1625-3R/100](#) [61062-3](#) [61082-181009](#) [CSU011177004](#) [636-1427](#) [638009-1](#) [641938-9](#) [641991-4](#) [644168-1](#) [644827-2](#) [647662-1](#) [65039-019ELF](#) [65692-001LF](#) [65781-018](#) [65781-047](#)