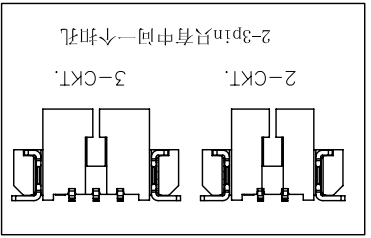
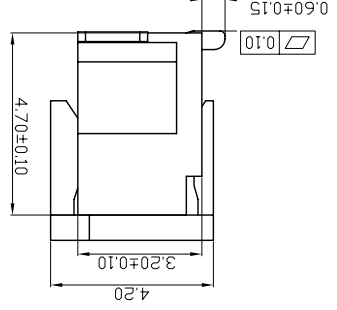
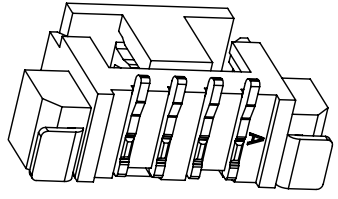
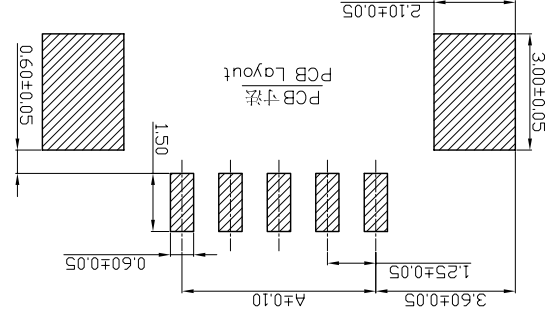
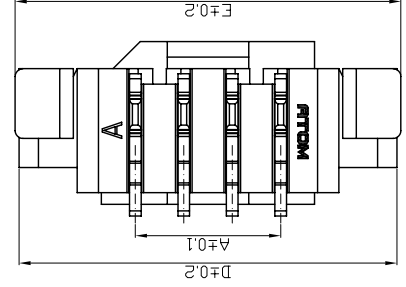
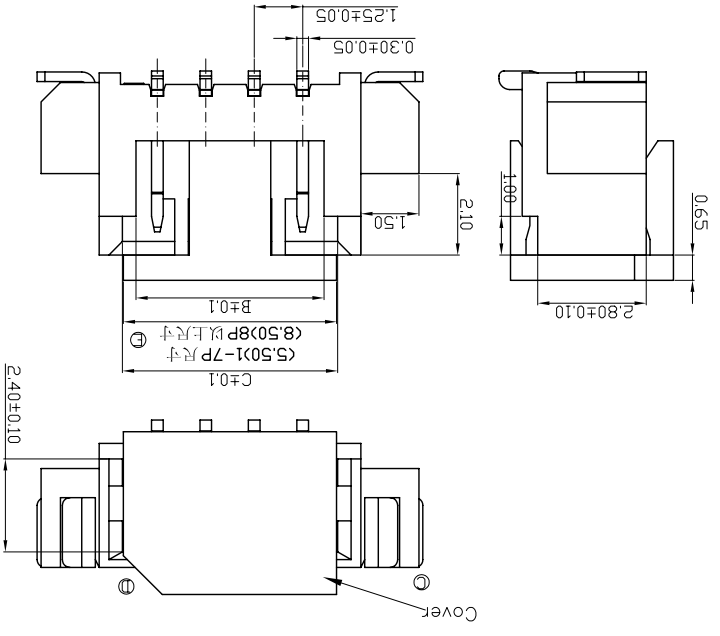


ACAD GENERATED DRAWING. DON'T CHANGE BY HAND

1.25mm PITCH WIRE TO BOARD CONNECTOR

| REV | DATE | ECN NO. | MODIFICATION | APPROVER |
|-----|------------|---------------|---------------|-----------|
| B | 2010/12/17 | RD00310121701 | 版本升级 | HYQ |
| C | 2012/04/13 | RD00312041301 | 增加夹持盖和尺寸管控 | Jason_Lee |
| D | 2014/09/30 | RD00314093001 | 增加防呆设计, 夹持盖倒角 | Jason_Lee |
| E | 2015/11/30 | RD00315113001 | 新增8P以上夹持盖规格 | Jason_Lee |



SPECIFICATION

- Material: Thermoplastic, UL94V-0,color:Natural.
Contacts: copper alloy.
Solder tab: copper alloy.
Tin/Gold plated over nickel plated
- Electrical Characteristics:
Voltage rating: 125V(rms).
Current rating: 1A(max).
Operating Temperature: -25C~+85C.
Storage Temperature: -5C~+35C, 70%RH,MAX.(No condensation)
Insulation resistance: 1000M ohms min. at 500VDC
Dielectric withstanding voltage: 500 VAC/1minute.
Contact resistance: 50m ohms max.

| 孔位 | A | B | C | D | E |
|----|-------|-------|-------|-------|-------|
| 2 | 1.25 | 2.35 | 3.05 | 7.25 | 7.45 |
| 3 | 2.50 | 3.60 | 4.30 | 8.50 | 8.70 |
| 4 | 3.75 | 4.85 | 5.55 | 9.75 | 9.95 |
| 5 | 5.00 | 6.10 | 6.80 | 11.00 | 11.20 |
| 6 | 6.25 | 7.35 | 8.05 | 12.25 | 12.45 |
| 7 | 7.50 | 8.60 | 9.30 | 13.50 | 13.70 |
| 8 | 8.75 | 9.85 | 10.55 | 14.75 | 14.95 |
| 9 | 10.00 | 11.10 | 11.80 | 16.00 | 16.20 |
| 10 | 11.25 | 12.35 | 13.05 | 17.25 | 17.45 |
| 11 | 12.50 | 13.60 | 14.30 | 18.50 | 18.70 |
| 12 | 13.75 | 14.85 | 15.55 | 19.75 | 19.95 |
| 13 | 15.00 | 16.10 | 16.80 | 21.00 | 21.20 |
| 14 | 16.25 | 17.35 | 18.05 | 22.25 | 22.45 |
| 15 | 17.50 | 18.60 | 19.30 | 23.50 | 23.70 |
| 16 | 18.75 | 19.85 | 20.55 | 24.75 | 24.95 |
| 17 | 20.00 | 21.10 | 21.80 | 26.00 | 26.20 |
| 18 | 21.25 | 22.35 | 23.05 | 27.25 | 27.45 |
| 19 | 22.50 | 23.60 | 24.30 | 28.50 | 28.70 |
| 20 | 23.75 | 24.85 | 25.55 | 29.75 | 29.95 |

| | | | | | |
|---------------------------------|--|----------------------------------|--|------------------------------------|--|
| NAME: 1.25mm W-T0-B CONN. (立贴式) | | RTO™ | | SHENZHEN ATOM TECHNOLOGY CO., LTD. | |
| PART NO: WF125**-02*** | | TITLE: 1.25mm W-T0-B CONN. (立贴式) | | DWC NO. ATM-A01468 | |
| APPD: Jason_Lee | | CHKD: Vcky | | DR: XH | |
| Q'TY | | FINISH | | SCALE 1:1 | |
| UNITS mm | | MATERIAL | | SHEET REV | |
| GENERAL TOLERANCE | | SELECT | | E | |
| DN TOL 1 2 3 | | ANGLE ±2° | | 8 | |
| X ±0.30 ±0.38 ±1.00 | | X.X ±0.20 ±0.25 ±0.5 | | 7 | |
| X.XX ±0.15 ±0.13 ±0.25 | | X.XXX ±0.10 ±0.05 ±0.15 | | 6 | |
| X.XXX ±0.10 ±0.05 ±0.15 | | X.XXX ±0.10 ±0.05 ±0.15 | | 5 | |

X-ON Electronics

Largest Supplier of Electrical and Electronic Components

Click to view similar products for [Headers & Wire Housings](#) category:

Click to view products by [ATOM](#) manufacturer:

Other Similar products are found below :

[95000-104TRLF](#) [10135584-644402LF](#) [DF62W-EP2022PCA](#) [95000-106TRLF](#) [DF62W-2022SCA](#) [DF62W-EP2022PC](#) [2203348](#) [DF62W-2022SC](#) [1084018](#) [1029039](#) [1084017](#) [802-10-012-10-002000](#) [1112640](#) [1112639](#) [891-007-9SS-BST1T](#) [000-34000](#) [0008550134](#) [0009482033](#) [0009507031](#) [57102-F02-18ULF](#) [57102-S06-03LF](#) [57202-S52-04LF](#) [PCN6-15S-2.5E](#) [0039019024](#) [58102-G61-06LF](#) [582553-1](#) [0009485154](#) [0009508121](#) [0022285053](#) [0050291907](#) [018731A](#) [LY20-4P-DT1-P1E-BR](#) [02.125.8002.8](#) [60101931](#) [60598-1 \(Cut Strip\)](#) [M1625-3R/100](#) [61062-3](#) [61082-181009](#) [CSU011177004](#) [636-1427](#) [638009-1](#) [641938-9](#) [641991-4](#) [644168-1](#) [644827-2](#) [647662-1](#) [65039-019ELF](#) [65692-001LF](#) [65781-018](#) [65781-047](#)