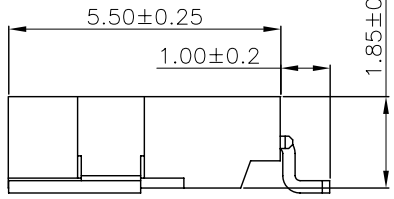
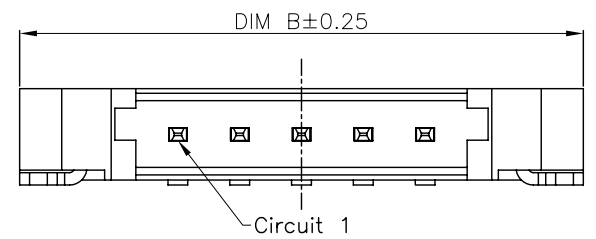
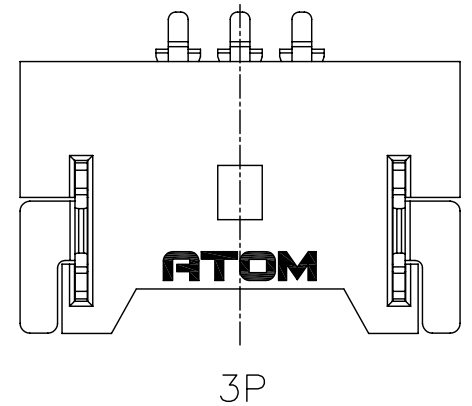
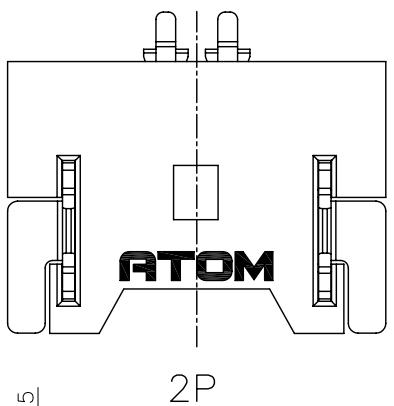
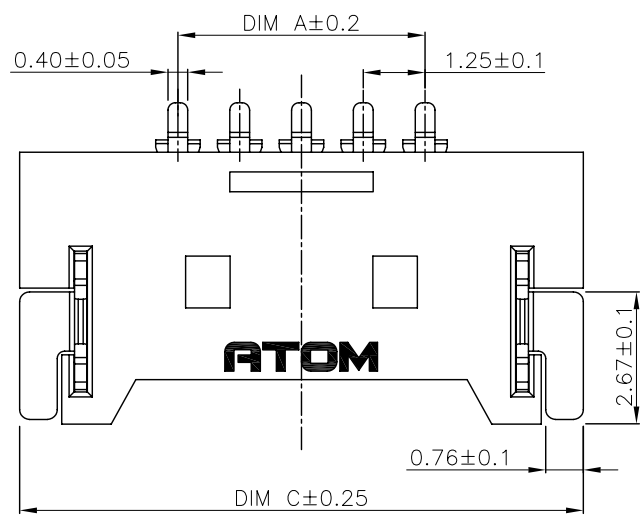


REV	DATE	ECN NO.	MODIFICATION	APPROVER
A	2010/12/06		NEW	HYQ

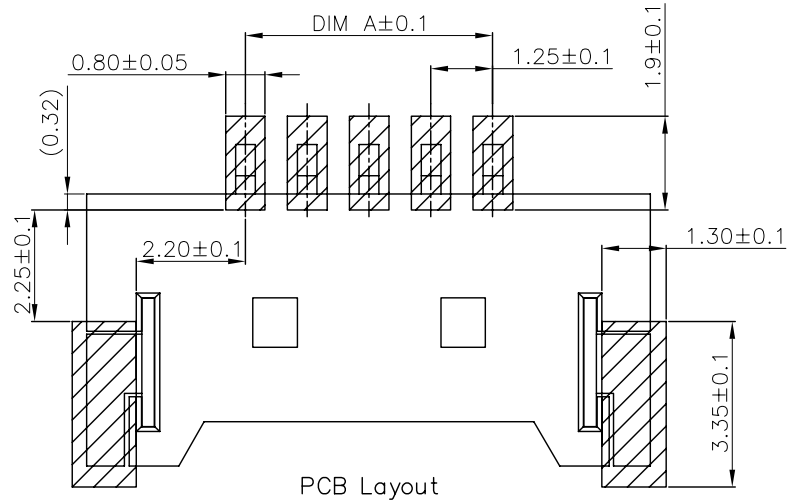


**SPECIFICATION**

**1. Material:**  
Housing: Thermoplastic, UL94V-0, color: Natural.  
Terminal: copper alloy.  
Solder\_Tab: copper alloy.  
Gold plated over nickel plated  
Solder tab: copper alloy.  
Gold plated over nickel plated

**2. Electrical Characteristics:**  
Voltage rating: 125V.  
Current rating: 1.0A.  
Operating Temperature: -25°C~+85°C.  
Insulation resistance: 100M ohms min. at 500VDC  
Dielectric withstanding voltage: 500 VAC/1minute.  
Contact resistance: 20m ohms max.

Pin No.	DIMENSIONS		
	DIM.A	DIM.B	DIM.C
2P	1.25	7.65	7.65
3P	2.50	8.90	8.90
4P	3.75	10.15	10.15
5P	5.00	11.40	11.40
6P	6.25	12.65	12.65
7P	7.50	13.90	13.90
8P	8.75	15.15	15.15
9P	10.00	16.40	16.40
10P	11.25	17.65	17.65
11P	12.50	18.90	18.90
12P	13.75	20.15	20.15
13P	15.00	21.40	21.40
14P	16.25	22.65	22.65
15P	17.50	23.90	23.90
20P	23.75	30.15	30.15
30P	36.25	42.65	42.65



GENERAL TOLERANCE	UNITS mm	NAME: Wafer	深圳市爱特姆科技有限公司 SHENZHEN ATOM TECHNOLOGY CO., LTD.																										
SELECT <input checked="" type="checkbox"/>	<table border="1"> <tr><th>TOL</th><th>1</th><th>2</th><th>3</th></tr> <tr><td>X.XXX</td><td>±0.10</td><td>±0.05</td><td>±0.15</td></tr> <tr><td>X.XX</td><td>±0.15</td><td>±0.13</td><td>±0.25</td></tr> <tr><td>X.X</td><td>±0.20</td><td>±0.25</td><td>±0.5</td></tr> <tr><td>X.</td><td>±0.30</td><td>±0.38</td><td>±1.00</td></tr> <tr><td>ANGLE</td><td>±2°</td><td></td><td></td></tr> </table>	TOL	1	2	3	X.XXX	±0.10	±0.05	±0.15	X.XX	±0.15	±0.13	±0.25	X.X	±0.20	±0.25	±0.5	X.	±0.30	±0.38	±1.00	ANGLE	±2°			PART NO: WF125**-03***	TITLE: 1.25mm Pitch Wafer SMT 贴片(H=1.85mm)		
TOL		1	2	3																									
X.XXX	±0.10	±0.05	±0.15																										
X.XX	±0.15	±0.13	±0.25																										
X.X	±0.20	±0.25	±0.5																										
X.	±0.30	±0.38	±1.00																										
ANGLE	±2°																												
FINISH	Q'TY	APPD: HYQ	DWG NO. ATOM-A00488																										
		CHKD: Jason_Lee		SCALE	SHEET	REV																							
		DR: Aimee		1:1	1/1	A																							

## X-ON Electronics

Largest Supplier of Electrical and Electronic Components

*Click to view similar products for [Headers & Wire Housings](#) category:*

*Click to view products by [ATOM](#) manufacturer:*

Other Similar products are found below :

[95000-104TRLF](#) [10135584-644402LF](#) [DF62W-EP2022PCA](#) [95000-106TRLF](#) [DF62W-2022SCA](#) [DF62W-EP2022PC](#) [2203348](#) [DF62W-2022SC](#) [1084018](#) [1029039](#) [1084017](#) [802-10-012-10-002000](#) [1112640](#) [1112639](#) [891-007-9SS-BST1T](#) [000-34000](#) [0008550134](#) [0009482033](#) [0009507031](#) [57102-F02-18ULF](#) [57102-S06-03LF](#) [57202-S52-04LF](#) [PCN6-15S-2.5E](#) [0039019024](#) [58102-G61-06LF](#) [582553-1](#) [0009485154](#) [0009508121](#) [0022285053](#) [0050291907](#) [018731A](#) [LY20-4P-DT1-P1E-BR](#) [02.125.8002.8](#) [60101931](#) [60598-1 \(Cut Strip\)](#) [M1625-3R/100](#) [61062-3](#) [61082-181009](#) [CSU011177004](#) [636-1427](#) [638009-1](#) [641938-9](#) [641991-4](#) [644168-1](#) [644827-2](#) [647662-1](#) [65039-019ELF](#) [65692-001LF](#) [65781-018](#) [65781-047](#)