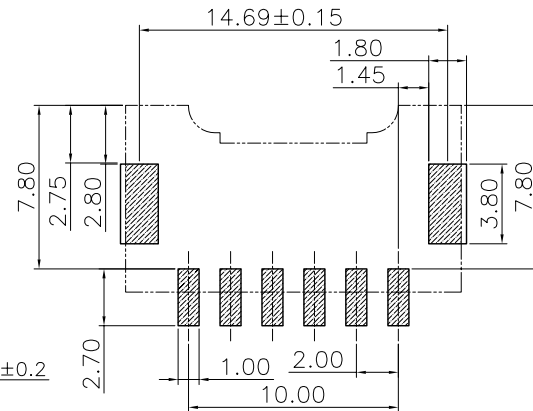
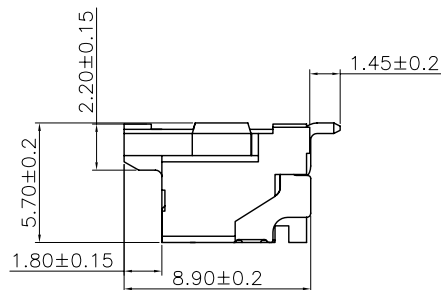
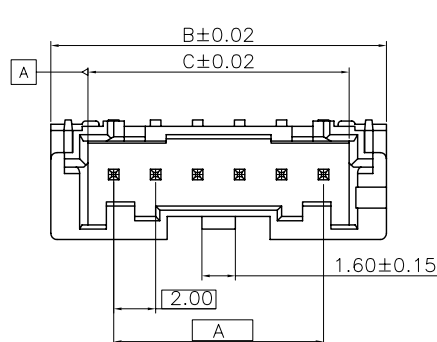
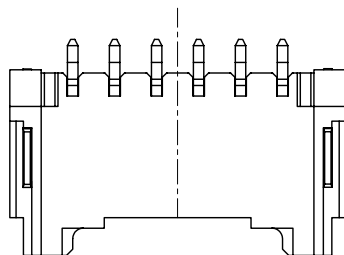
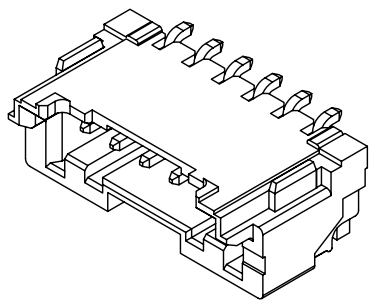


REV.	DATE	ECN NO.	MODIFICATION	APPROVER
A	2017.12.12	/	新增料	JASON

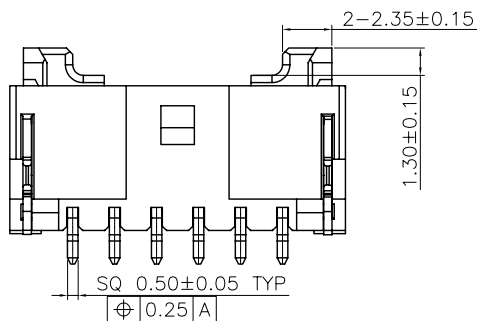


PCB LAYOUT

规格:

Specifications:

- 额定电流: 3A AC/DC (使用AWG#22时)
Current rating: 3A AC/DC (AWG#22)
- 额定电压: 250V AC/DC
Voltage rating: 250V AV/DC
- 使用温度范围: -25°C~+85°C (含通电时温度上升)
Temperature range: -25°C~+85°C (including temperature rise in applying electrical current)
- 接触电阻: 初期 / 10 mΩ 以下
环境试验后 / 20 mΩ 以下
Contact resistance: Initial value/10mΩ max
After environmental tests/20 mΩ max
- 绝缘电阻: 初期/1000MΩ 以上
Insulation resistance: 1000 MΩ min
- 耐电压: AC 800V/1分钟
Withstanding voltage: 800VAC/minute
- 适用电线范围: AWG#28~#22
Applicable wire: AWG#28 to #22
- 适合的印刷电路板厚度: 1.6mm
Applicable PC board thickness: 1.6mm
- 主体材料: NYLON, UL94-V0, 天然色
Housing material: NYLON, UL94-V0, natural
- 端子材料: 黄铜, 镀锡
Terminal material: brass, plating Tin



极数	尺寸			ATOM料号
	A	B	C	
2	2.00	8.00	4.45	WF200**-01***
3	4.00	10.00	6.45	WF200**-01***
4	6.00	12.00	8.45	WF200**-01***
5	8.00	14.00	10.45	WF200**-01***
6	10.00	16.00	12.45	WF20006-01201
7	12.00	18.00	14.45	WF200**-01***
8	14.00	20.00	16.45	WF200**-01***
9	16.00	22.00	18.45	WF200**-01***
10	18.00	24.00	20.45	WF200**-01***
11	20.00	26.00	22.45	WF200**-01***
12	22.00	28.00	24.45	WF200**-01***
13	24.00	30.00	26.45	WF200**-01***
15	28.00	34.00	30.45	WF200**-01***

GENERAL TOLERANCE	UNITS mm	NAME (INTENDED USE)	ATOM® 深圳市爱特姆科技有限公司 SHENZHEN ATOM TECHNOLOGY CO., LTD.		
SELECT <input checked="" type="checkbox"/>	MAT'L	WAFER 2.0 PITCH SMT	TITLE: WAFER2.0MM XP SMT 卧贴 带扣无定位柱 卷装		
TOL. ON:		PART NO. (INTENDED USE)	DWG NO.: ATOM-A03662		
1		WF200**-01***	SCALE SHEET REV.		
2			1:1 1/1 A0		
3					
X.XXX	±0.15 ±0.05 ±0.15	FINISH			
X.XX	±0.25 ±0.13 ±0.25	Q'TY			
X.X	±0.30 ±0.25 ±0.50	CHKD:			
X.	±0.38 ±0.38 ±1.00	DR: TOM			
ANGLE	±5°				

X-ON Electronics

Largest Supplier of Electrical and Electronic Components

Click to view similar products for [Headers & Wire Housings](#) category:

Click to view products by [ATOM](#) manufacturer:

Other Similar products are found below :

[95000-104TRLF](#) [10135584-644402LF](#) [DF62W-EP2022PCA](#) [95000-106TRLF](#) [DF62W-2022SCA](#) [DF62W-EP2022PC](#) [2203348](#) [DF62W-2022SC](#) [1084018](#) [1029039](#) [1084017](#) [802-10-012-10-002000](#) [1112640](#) [1112639](#) [891-007-9SS-BST1T](#) [000-34000](#) [0008550134](#) [0009482033](#) [0009507031](#) [57102-F02-18ULF](#) [57102-S06-03LF](#) [57202-S52-04LF](#) [PCN6-15S-2.5E](#) [0039019024](#) [58102-G61-06LF](#) [582553-1](#) [0009485154](#) [0009508121](#) [0022285053](#) [0050291907](#) [018731A](#) [LY20-4P-DT1-P1E-BR](#) [02.125.8002.8](#) [60101931](#) [60598-1 \(Cut Strip\)](#) [M1625-3R/100](#) [61062-3](#) [61082-181009](#) [CSU011177004](#) [636-1427](#) [638009-1](#) [641938-9](#) [641991-4](#) [644168-1](#) [644827-2](#) [647662-1](#) [65039-019ELF](#) [65692-001LF](#) [65781-018](#) [65781-047](#)