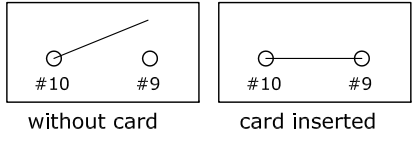


REV.	DESCRIPTION	DRAWN	DATE
1	INITIAL RELEASE	FROS	2020/07/28
2	ECR2100019	FROS	2021/09/13

SPECIFICATION:

1. ELECTRICAL
 - 1.1 Current Rating: 0.5A
 - 1.2 Voltage Rating: 10V
 - 1.3 Contact Resistance: 40mΩ
 - 1.4 Insulation Resistance: 100MΩ
 - 1.5 Dielectric Withstanding Voltage: 500VAC
2. MECHANICAL
 - 2.1 Durability: 10000 Cycle
3. ENVIRONMENTAL
 - 3.1 Operating temperature range: -40°C~+85°C
 - 3.2 Storage temperature range: -40°C~+85°C
4. SOLDER ABILITY
 - 4.1 Recommended IR Reflow(Wave Soldering) Temperature: 260°C

Circuit diagram of card detect



PIN#	NAME
1	DAT2
2	CD/DAT3
3	CMD
4	VDD
5	CLK
6	VSS
7	DAT0
8	DAT1
9	CD
10	SW
Shell	Ground

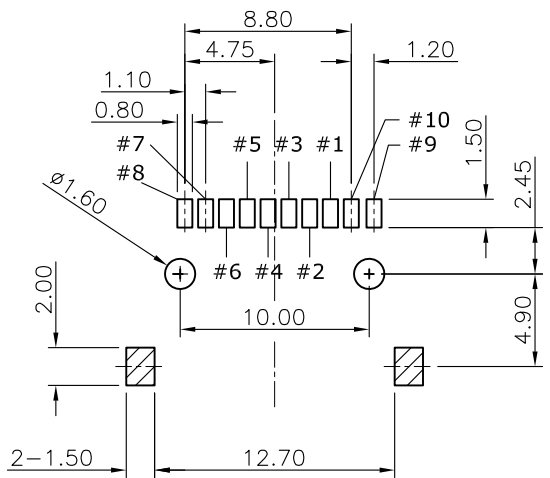
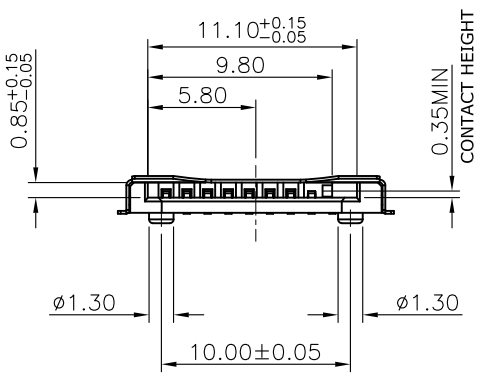
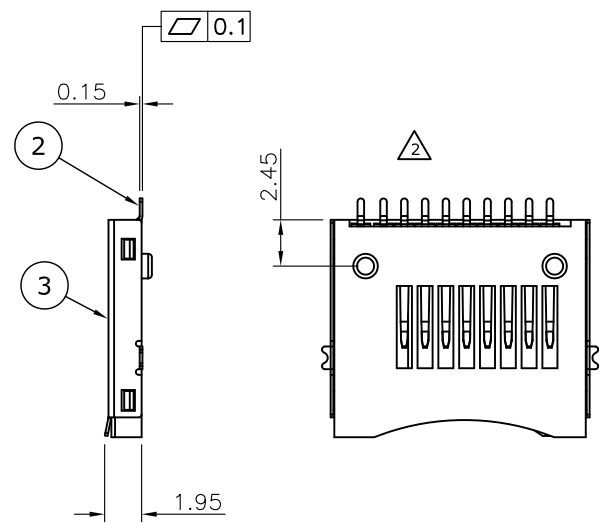
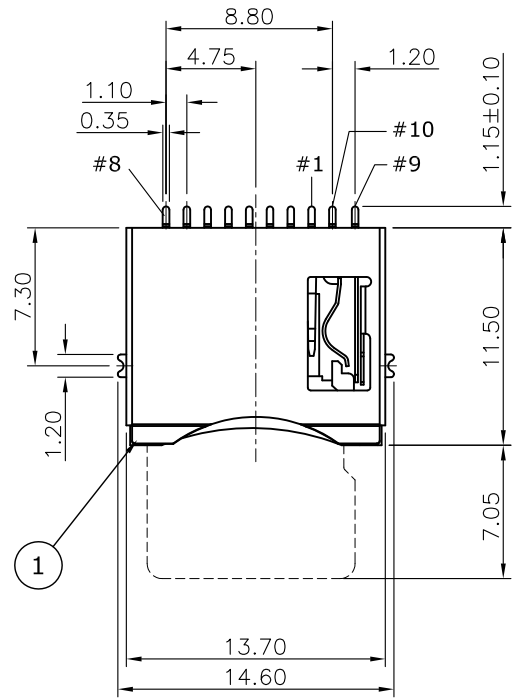
3	SHELL	Copper alloy, Nickel plating
2	CONTACT	Copper alloy, G/F on contact area, tin plating on on solder tails, under plating nickel
1	HOUSING	LCP, UL94V-0, natural
NO. PART NAME		DESCRIPTION

UNLESS OTHERWISE SPECIFIED TOLERANCE			
UNIT:	DECIMAL	LINEAR	ANGLES
mm	X.	±0.50	±5°
	X.X	±0.25	±3°
	X.XX	±0.12	±1°



www.attend.com.tw

DRAWN	Fros	2020/07/28	DRAWN NAME:	
CHECKED	Tim	2020/07/28	Micro SD socket, Push-Pull Type w/card switch, w/Peg, Reel	
APPROVED	Ken	2020/07/28	PRODUCT NO.	112I-TA01
SCALE	1/1	SHEET	1/1	SIZE
			A4	FILE NAME
				112I-TA01_B_2



Recommended layout (top view)
General tolerance: ±0.05mm

X-ON Electronics

Largest Supplier of Electrical and Electronic Components

Click to view similar products for [Memory Card Connectors](#) category:

Click to view products by [Attend manufacturer](#):

Other Similar products are found below :

[M21-033321-005](#) [6407-249V-25273P](#) [6407-249V-25343P](#) [6426-201-21343](#) [69.920.0553.0](#) [FCN-568P068-G/07-4V](#) [809180410000000](#)
[EN2997S72039F6](#) [HMCAP001](#) [252-0144-000](#) [2041353-2](#) [33CFAE-DN](#) [502431-1011](#) [EN2997S02039B8](#) [EN2997S72039B6](#)
[EN2997SE02039B8](#) [EN2997SE72039B6](#) [617230001](#) [95622-003LF](#) [95079-00CALF](#) [33DVIR-29S12R](#) [125A-78C00](#) [MI20A-50PD-SF-](#)
[EJL\(71\)](#) [KP10S-SF-PEJ\(812\)](#) [504536-0691](#) [504580-0691](#) [CCM03-3109 B LFT](#) [2309923-1](#) [61126-050CAHLF](#) [GTFP08432B1HR](#)
[G85DT17001P1EU](#) [G85B21611142HHR](#) [GSD090144HR](#) [G85D1140022P1HR](#) [GMCB05801124EU](#) [G85C11101152HHR](#)
[G85B231021B1HR](#) [G85D1160022HHR](#) [123A-21M00](#) [123A-30B00](#) [123A-30A00](#) [123A-21A00](#) [123A-21B00](#) [123A-21E00](#) [123A-30E00](#)
[123A-30M00](#) [123A-40A00](#) [123A-40E00](#) [123A-40M00](#) [123A-58B01](#)