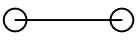
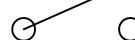
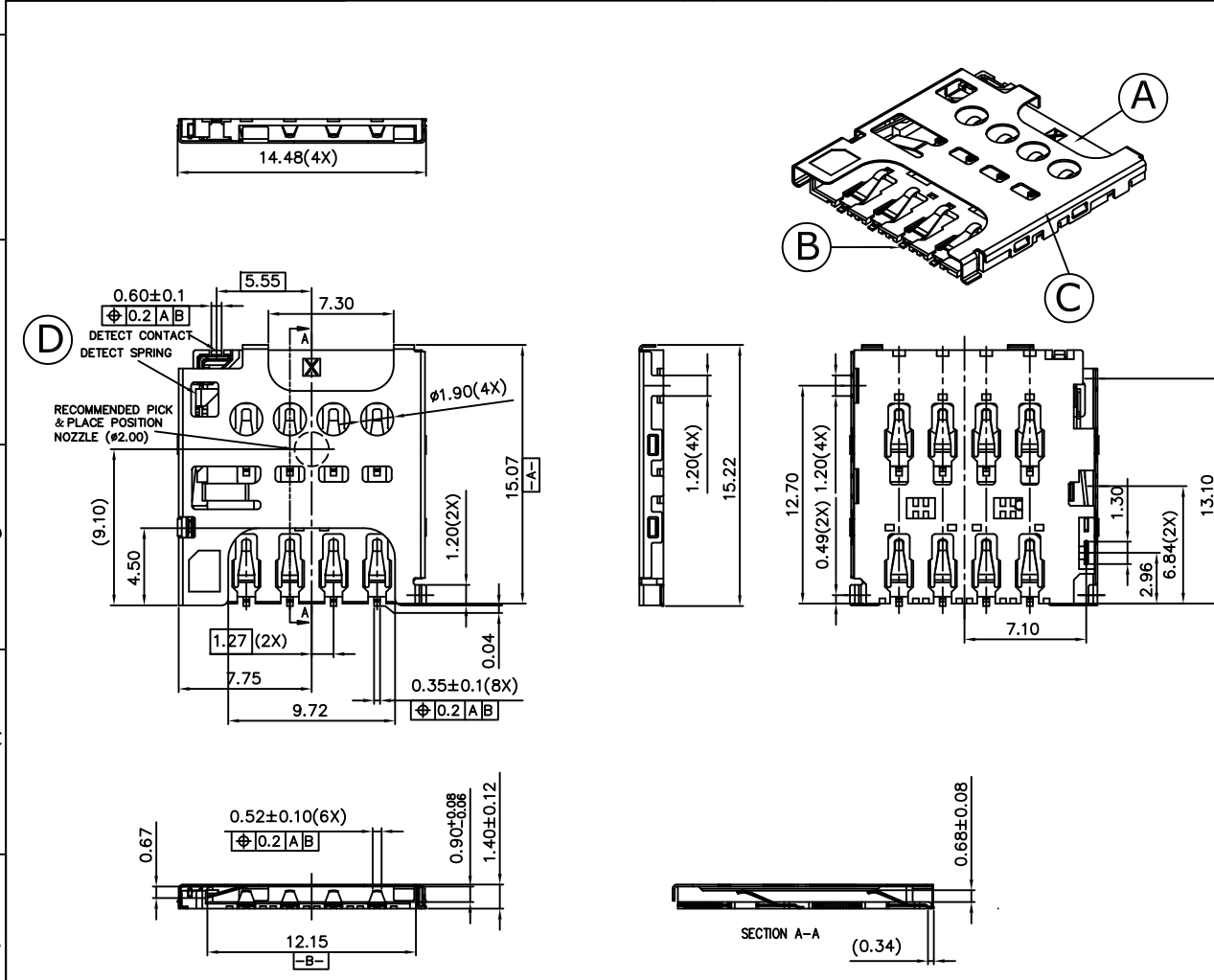


SWITCH CIRCUIT			MATERIAL AND FINISH AS BELOW						
WHEN CARD IS EJECTED		WHEN CARD IS INSERTED	A	Housing	LCP UL94V-0, Color:Black	D	Switch	Brass C2680, Contact Area: 5u" Gold Solder Tail:Gold Flash	
CLOSE 		OPEN 	B	Contact	Phosphor Bronze C5210, Contact Area: 15u" Gold Solder Tail:Gold Flash	E			
			C	Shell	Stainless Steel, Solder Tail:Tin Plated	F			



SPECIFICATION:

1. ELECTRICAL

- 1.1 Current Rating: 0.5A
- 1.2 Voltage Rating: 10VDC
- 1.3 Contact Resistance: 100mΩ Max
- 1.4 Insulation Resistance: 1000MΩ
- 1.5 Dielectric Withstanding Voltage: 500VAC for 1 minute

2. MECHANICAL

- 2.1 Durability: 500 Cycle
- 2.2 Contact Normal Force : 0.3N~0.35N
- 2.3 Insert Force: 10N
- 2.4 Withdrawal Force: 0.5N

3. ENVIRONMENTAL

- 3.1 Operating temperature range: -40°C to +85°C
- 3.2 Storage temperature range: -40°C to +85°C

4. SOLDER ABILITY

- 4.1 Recommended IR Reflow Temperature: 260°C 10Sec

Vcc	RST	CLK	NA	GND	Vpp	I/O	NA				
C1	C2	C3	C4	C5	C6	C7	C8				

PIN ASSIGNMENT

115I-BEAA-RA1	Micro SIM Socket 8Pin SMD Type, 15u" Gold Plating
PRODUCT NO.	DESCRIPTION

UNLESS OTHERWISE SPECIFIED TOLERANCE		
ANGLES	ANG.	±5°
LINEAR	0.	±0.3
	0.0	±0.25
	0.00	±0.20
SCALE	AS SHOWN	UNIT: mm
DRAWN	Willis	2014/06/10
CHECKED	Angel	2014/06/10
APPROVED	Ken	2014/06/10

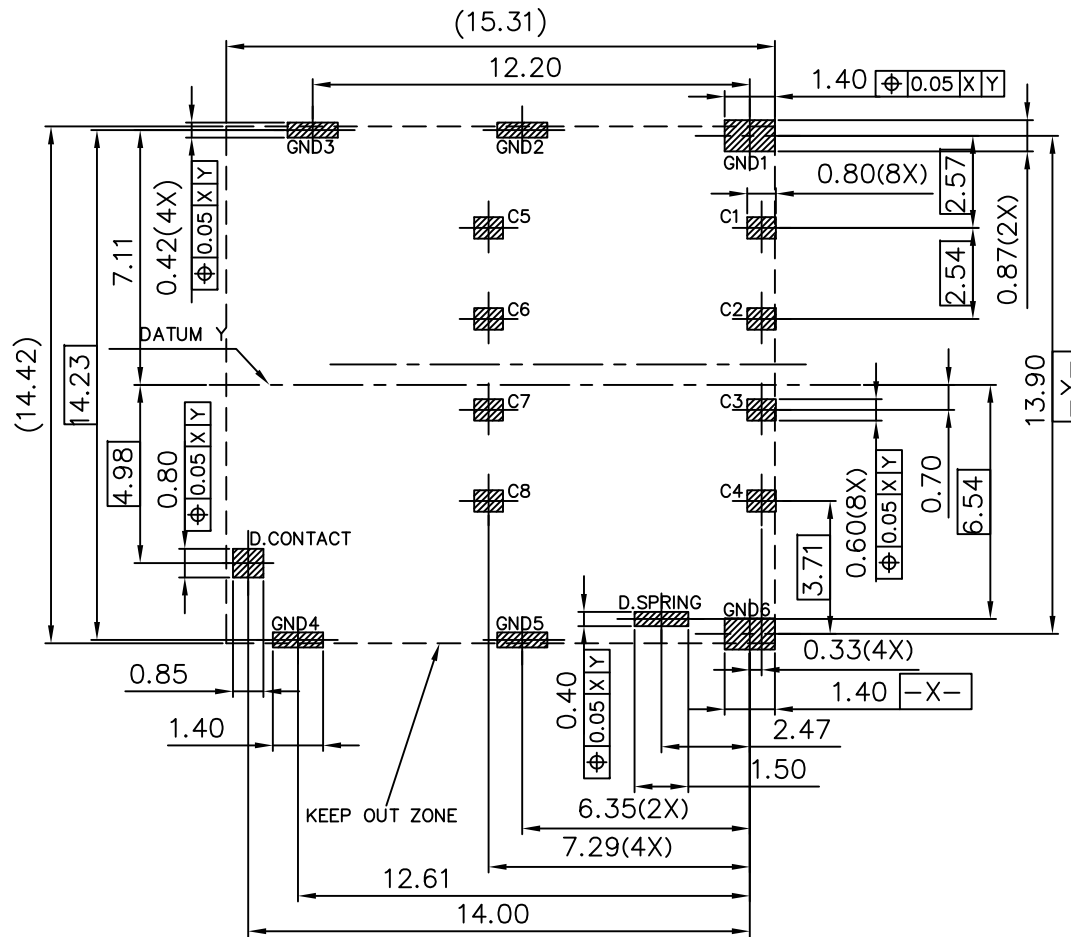


www.attend.com.tw

DRAWN NAME:	
Micro SIM Card Socket with Detect Pin SMD Type Hight 1.4mm	
PRODUCT NO.	115I-BEAA-RA1

Revise:											
Revise:											
Revise:											

REV.	DESCRIPTION	DATE	REV.	DESCRIPTION	DATE	SIZE	REV.	FILE NAME
1						A4	1.0	115I-BEAA-RA1_B_1



RECOMMENDED P.C.B LAYOUT
ALL TOLERANCE $\pm 0.05\text{mm}$

UNLESS OTHERWISE SPECIFIED TOLERANCE		
ANGLES	ANG.	$\pm 5^\circ$
LINEAR	0.	± 0.3
	0.0	± 0.25
	0.00	± 0.20
SCALE	AS SHOWN	UNIT: mm
DRAWN	Willis	2014/06/10
CHECKED	Angel	2014/06/10
APPROVED	Ken	2014/06/10



www.attend.com.tw

REV.	DESCRIPTION	DATE	REV.	DESCRIPTION	DATE	SIZE	REV.	FILE NAME
1			4			A4	1.0	115I-BEAA-RA1_B_1

DRAWN NAME:	Micro SIM Card Socket with Detect Pin SMD Type Hight 1.4mm
PRODUCT NO.	115I-BEAA-RA1

X-ON Electronics

Largest Supplier of Electrical and Electronic Components

Click to view similar products for [Memory Card Connectors](#) category:

Click to view products by [Attend manufacturer](#):

Other Similar products are found below :

[M10-597810-355](#) [M21-033321-005](#) [6426-201-21343](#) [69.920.0553.0](#) [MCR60A-98D-2.54DSA\(70\)](#) [FCN-568P068-G/07-4V](#) [809180410000000](#)
[95622-003LF](#) [AD2-262F-38900-232](#) [DM3AT-SF-PEJM5\(41\)](#) [EN2997S72039F6](#) [N7E50-7516PG-20-WF](#) [IC11S-BUR-PNEJL\(71\)](#) [NX30TA-](#)
[15PAA\(50\)](#) [21920-5](#) [2041353-2](#) [FUA006-3220-0](#) [308-DS1P0811-192](#) [33CFAE-DN](#) [MI21A-50PD-SF-EJR\(91\)](#) [502431-1011](#) [5175651-2](#) [10-](#)
[247926-166](#) [10-629549-258N](#) [11327-001](#) [11327-002](#) [EN2997S02039B8](#) [EN2997S61212BN](#) [EN2997S72039B6](#) [EN2997SE02039B8](#)
[EN2997SE61212BN](#) [EN2997SE72039B6](#) [603020000](#) [617230001](#) [71-252718-32P](#) [NX1-32T-KT3K\(05\)](#) [95622-003LF](#) [91-570124-15P](#)
[192900-0488](#) [N7E50-U516RB-50-SIN0005](#) [DM1AA-SF-PEJ](#) [95079-00CALF](#) [84648-056HLF](#) [68-580163-21S](#) [33DVIR-29S12R](#)
[SF58S006VBBR2000](#) [93-570123-08P](#) [GMC020080HR](#) [125A-78C00](#) [1010040575#](#)