

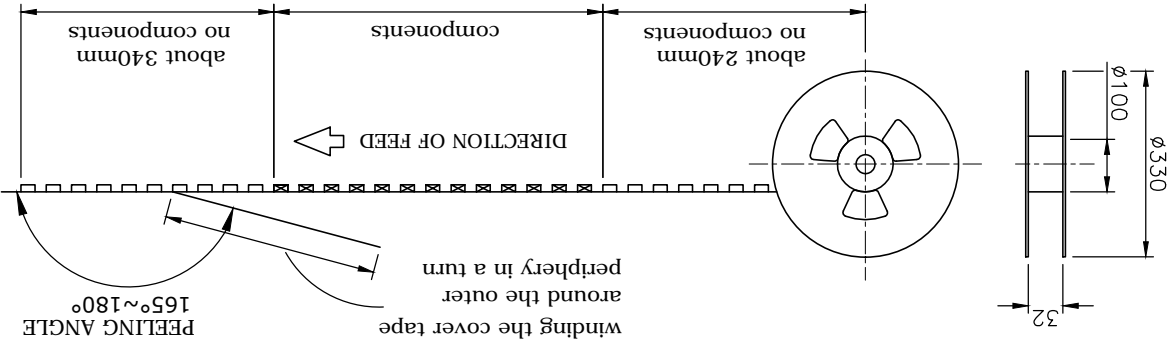
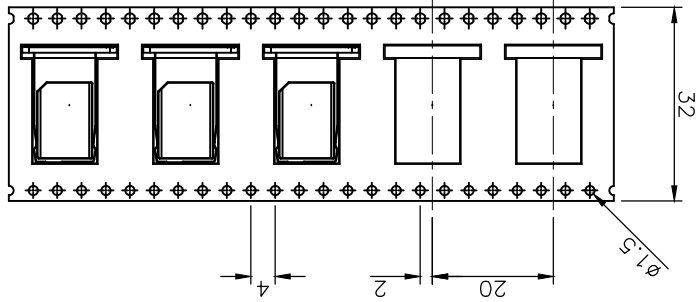
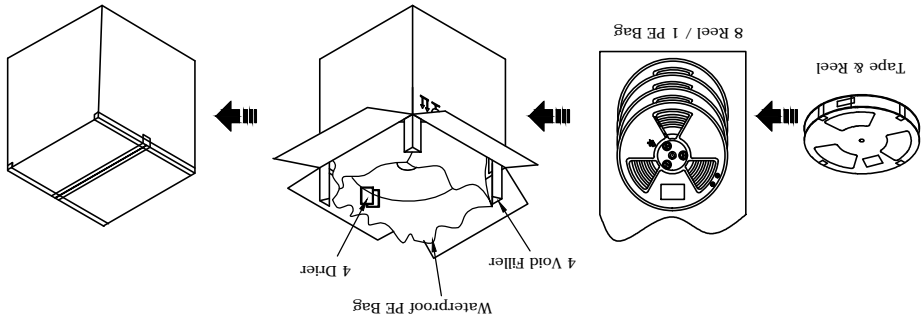
Note:
 1. Material: Stainless Steel
 2. Color: Natural

REV.	DESCRIPTION	DRAWN	DATE
1	INITIAL RELEASE	PROS	2018/08/06
2	Add page 2: packaging drawing	PROS	2018/08/15

UNLESS OTHERWISE SPECIFIED TOLERANCE			
UNIT:	DECIMAL LINEAR ANGLES		
mm	X ±0.50 ±5°		
	X.X ±0.25 ±3°		
	X.XX ±0.12 ±1°		
DRAWN NAME: Fros 2017/08/18			
CHECKED: Tm 2017/08/18			
APPROVED: Ken 2017/08/18			
SCALE	SHEET	SIZE	FILE NAME
2.8	1/2	A4	115S-ACAZ_B_2
DRAWN NAME: Nano SIM Tray		PRODUCT NO. 115S-ACAZ	
WWW.ATTEND.COM.TW			



Carton L*W*H= 360*360*330



PACKAGING SPECIFICATION:

1. MATERIAL
1.1 Embossed Carrier Tape: PS, transparent
1.2 Top Cover Tape: PET
20-80g (Reel Speed 300mm/Minute)
Peeling angle: 165° to 180°
1.3 Taping Reel: Plastic

2. PACKING
2.1 Quantity:
1,000Piece/ Reel
8 Reel (8,000Piece) / Carton

UNITS:		DECIMAL	LINEAR	ANGLES
mm	X	±0.50	±5°	
	X.X	±0.25	±3°	
	X.XX	±0.12	±1°	
UNLESS OTHERWISE SPECIFIED TOLERANCE				
DRAWN NAME: Nano SIM Tray				
CHECKED: Tlm				
APPROVED: Ken				
SCALE	N/A	SHEET	2/2	SIZE
2018/08/15				
DRAWN				
2018/08/15				
Fros				
2018/08/15				
PRODUCT NO. 1155-ACAZ				
FILE NAME 1155-ACAZ_B_2				



REV.	DESCRIPTION	DRAWN	DATE
	see sheet one		

X-ON Electronics

Largest Supplier of Electrical and Electronic Components

Click to view similar products for [Memory Card Connectors](#) category:

Click to view products by [Attend manufacturer](#):

Other Similar products are found below :

[M10-597810-355](#) [M21-033321-005](#) [6426-201-21343](#) [69.920.0553.0](#) [MCR60A-98D-2.54DSA\(70\)](#) [FCN-568P068-G/07-4V](#) [809180410000000](#)
[95622-003LF](#) [AD2-262F-38900-232](#) [DM3AT-SF-PEJM5\(41\)](#) [EN2997S72039F6](#) [N7E50-7516PG-20-WF](#) [IC11S-BUR-PNEJL\(71\)](#) [NX30TA-](#)
[15PAA\(50\)](#) [21920-5](#) [2041353-2](#) [FUA006-3220-0](#) [308-DS1P0811-192](#) [33CFAE-DN](#) [MI21A-50PD-SF-EJR\(91\)](#) [502431-1011](#) [5175651-2](#) [10-](#)
[247926-166](#) [10-629549-258N](#) [11327-001](#) [11327-002](#) [EN2997S02039B8](#) [EN2997S61212BN](#) [EN2997S72039B6](#) [EN2997SE02039B8](#)
[EN2997SE61212BN](#) [EN2997SE72039B6](#) [603020000](#) [617230001](#) [71-252718-32P](#) [NX1-32T-KT3K\(05\)](#) [95622-003LF](#) [91-570124-15P](#)
[192900-0488](#) [N7E50-U516RB-50-SIN0005](#) [DM1AA-SF-PEJ](#) [95079-00CALF](#) [84648-056HLF](#) [68-580163-21S](#) [33DVIR-29S12R](#)
[SF58S006VBBR2000](#) [93-570123-08P](#) [GMC020080HR](#) [125A-78C00](#) [1010040575#](#)