


| REV. | DESCRIPTION | DRAWN | DATE |
|------|---------------------------|--------|------------|
| 3 | Add datecode & card spec. | Willis | 2010/04/30 |
| 4 | New frame | Willis | 2012/08/03 |
| 5 | ECR2000003 | FROS | 2020/04/16 |

SPECIFICATION:

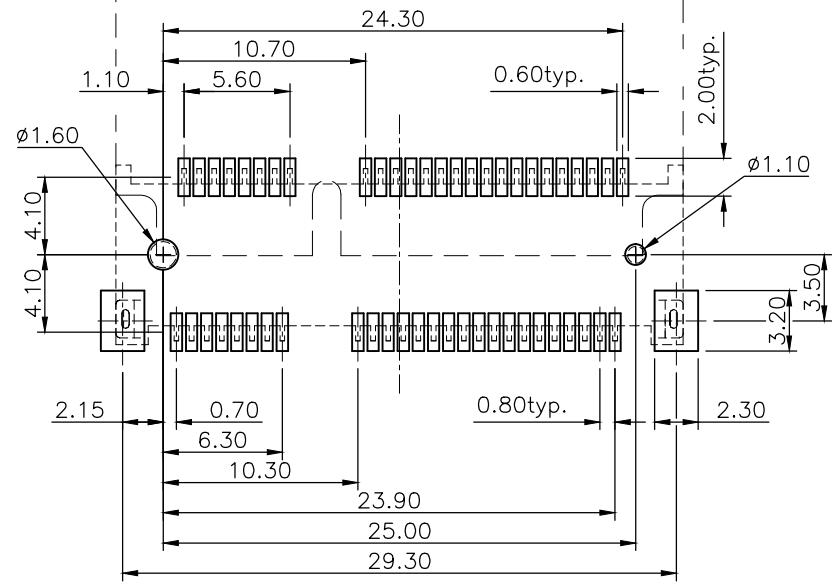
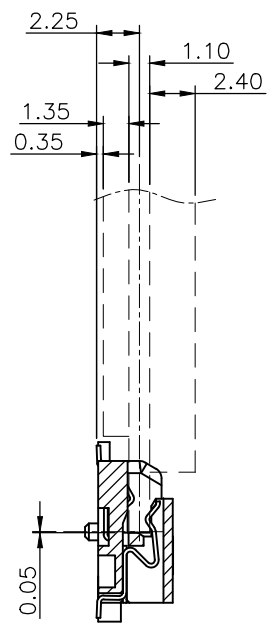
1. ELECTRICAL
 - 1.1 Current Rating: 0.5A per pin
 - 1.2 Voltage Rating: 50V AC
 - 1.3 Contact Resistance: 55mΩ Max
 - 1.4 Insulation Resistance: 500MΩ Min
 - 1.5 Dielectric Withstanding Voltage: 300VAC
2. MECHANICAL
 - 2.1 Durability: 50 Cycles
 - 2.2 Total Mating/Unmating Force: 2.3Kgf max.
3. ENVIRONMENTAL
 - 3.1 Operating temperature range: -40°C ~ +85°C
 - 3.2 Storage temperature range: -40°C ~ +85°C
4. SOLDER ABILITY
 - 4.1 Recommended IR-Reflow Temperature: 260°C 10Sec

Date Code: Y WW D

Year | | Day(1~7)
 Week(1~52)



| | | | |
|--|----------|--|----------------------------------|
| 3 | HOLDDOWN | Brass, Tin plated under nickel plating | |
| 2 | CONTACT | Phosphor Bronze, contact area: G/F solder area: Tin, under plating Nickel | |
| 1 | HOUSING | LCP UL94V-0, Black | |
| NO. PART NAME | | DESCRIPTION | |
| UNLESS OTHERWISE SPECIFIED TOLERANCE | | | |
| UNIT: | DECIMAL | LINEAR | ANGLES |
| mm | X. | ±0.50 | ±5° |
| | X.X | ±0.25 | ±3° |
| | X.XX | ±0.12 | ±1° |
|  www.attend.com.tw | | | |
| DRAWN | Willis | 2009/11/11 | DRAWN NAME: |
| CHECKED | Angel | 2009/11/11 | Mini PCI Express Socket H: 4.0mm |
| APPROVED | Ken | 2009/11/11 | PRODUCT NO. 119A-40A00-R02 |
| SCALE 2.25/1 | | SHEET 1/2 | FILE NAME 119A-40A00-R02_B_5 |
| SIZE A4 | | | |

| | | | |
|------|---------------|-------|------|
| REV. | DESCRIPTION | DRAWN | DATE |
| | see sheet one | | |

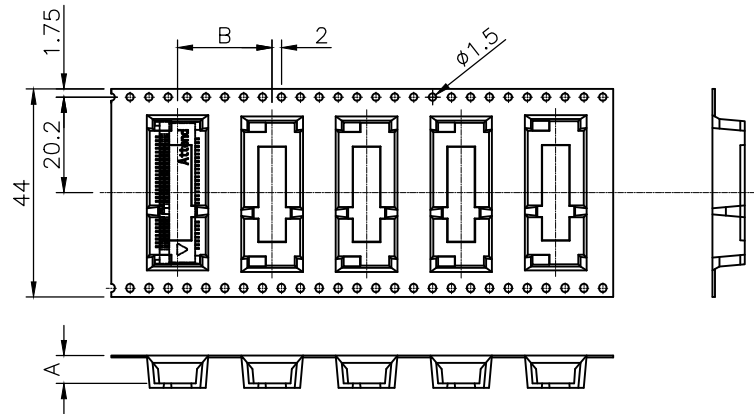
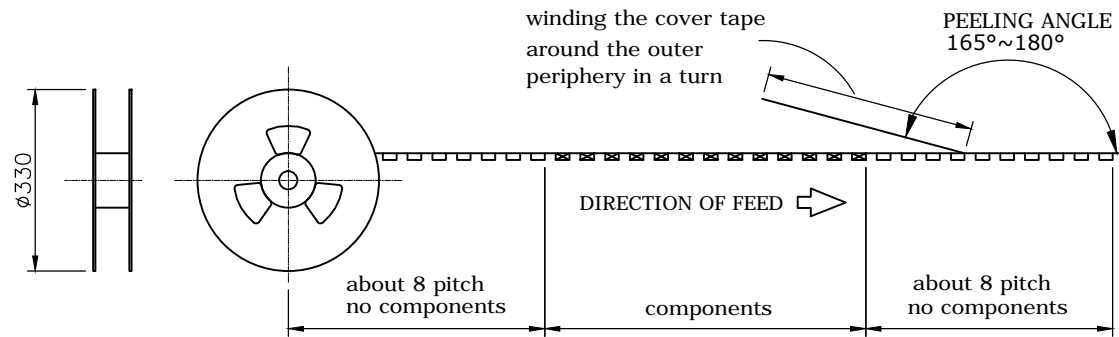


--- CARD
 --- PAD LAYOUT

RECOMMEND LAYOUT (TOP VIEW)
GENERAL TOLERANCE: ±0.05

| | | | | | |
|---|-----------------|--------------|---|---|--------------------|
| UNLESS OTHERWISE SPECIFIED TOLERANCE | | | |  | |
| UNIT: | DECIMAL | LINEAR | ANGLES | | |
| mm | X. | ±0.50 | ±5° | www.attend.com.tw | |
| | X.X | ±0.25 | ±3° | | |
| | X.XX | ±0.12 | ±1° | | |
| DRAWN | Willis | 2009/11/11 | DRAWN NAME: Mini PCI Express Socket H: 4.0mm | | |
| CHECKED | Angel | 2009/11/11 | | | |
| APPROVED | Ken | 2009/11/11 | PRODUCT NO. | 119A-40A00-R02 | |
|  | SCALE 2.25/1 | SHEET 2/2 | SIZE A4 | FILE NAME | 119A-40A00-R02_B_5 |

| REV. | DESCRIPTION | DRAWN | DATE |
|------|------------------------|--------|------------|
| 3 | Note 9.2H 300 PCS/REEL | Willis | 2010/04/30 |
| 4 | New frame | Willis | 2012/08/03 |
| 5 | ECR2000003 | FROS | 2020/04/16 |



Dimension table:

| P/N | DIM. A | DIM. B |
|----------------|--------|--------|
| 119A-40A00-R02 | 4.30 | 16.00 |
| 119A-56A00-R02 | 5.90 | 16.00 |
| 119A-80A00-R02 | 8.30 | 16.00 |
| 119A-92A00-R02 | 9.50 | 20.00 |

PACKAGING SPECIFICATION:

1. MATERIAL

1.1 Embossed Carrier Tape: PS Black

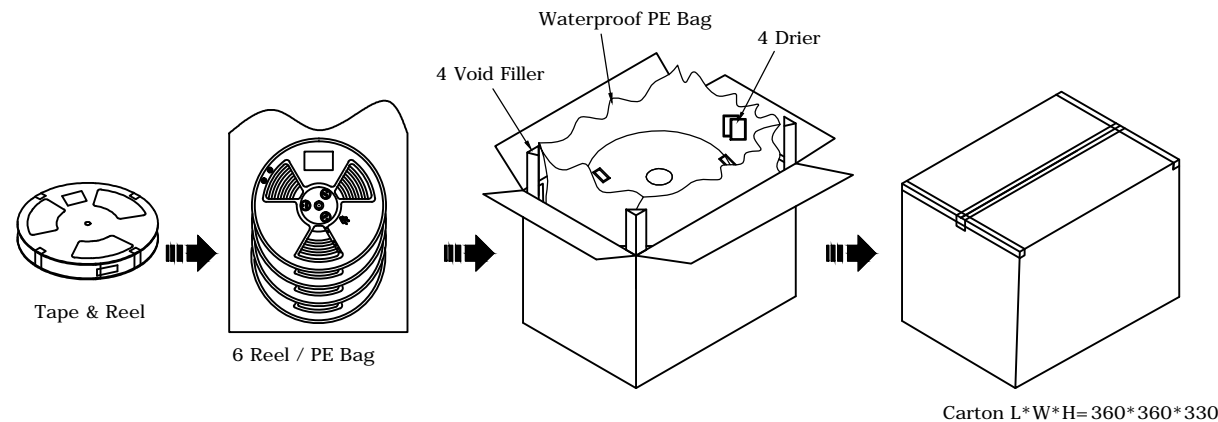
1.2 Top Cover Tape: PET
20-80g (Peel Speed 300mm/Minute)


1.3 Taping Reel: Plastic

2. PACKING

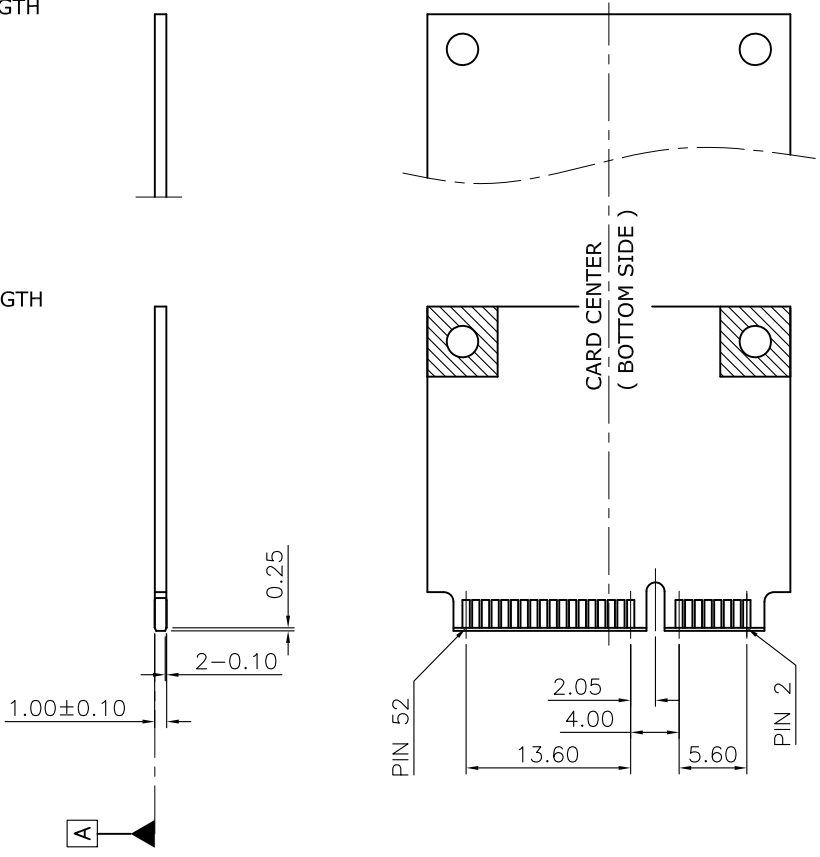
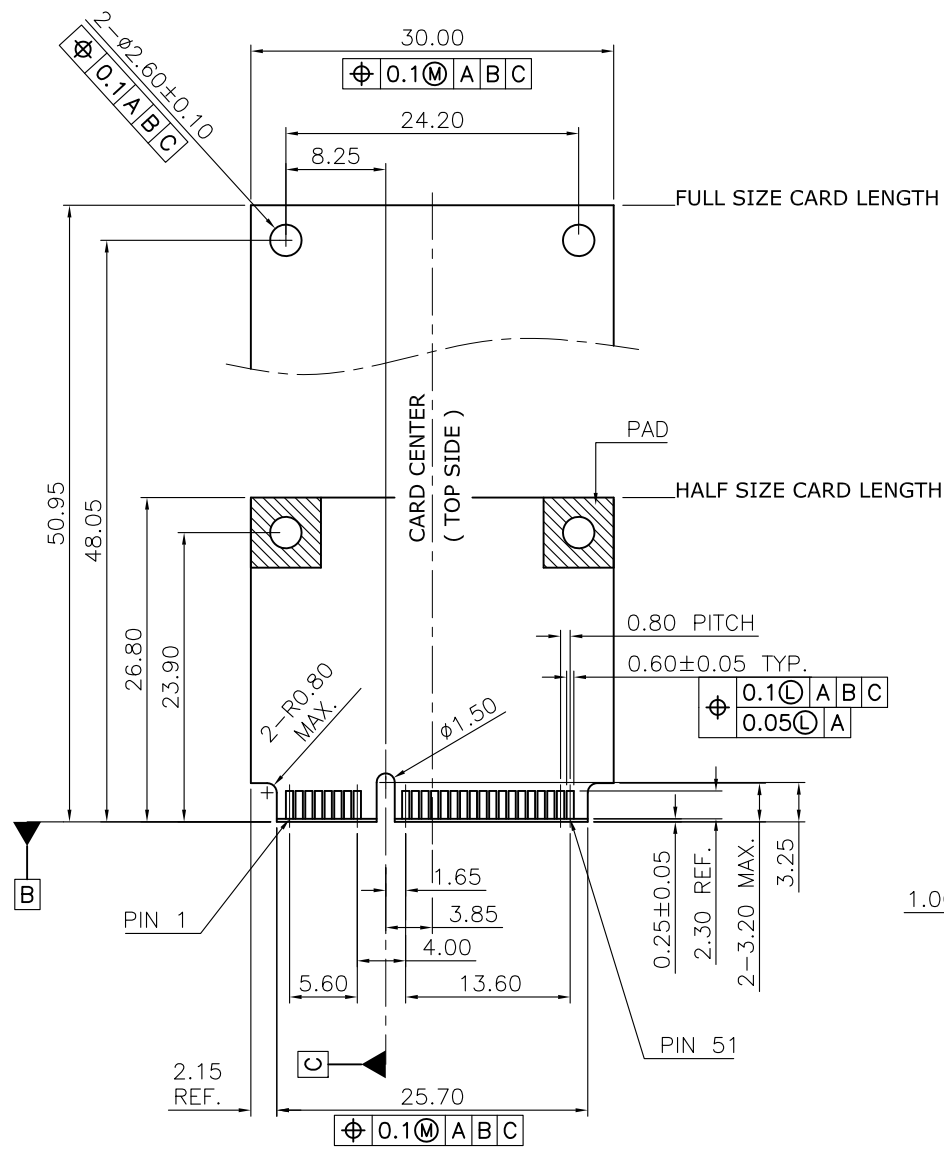
2.1 Quantity:


| P/N | PCS/ REEL | PCS/ CARTON |
|----------------|-----------|-------------|
| 119A-40A00-R02 | 700 | 4200 |
| 119A-56A00-R02 | 550 | 3300 |
| 119A-80A00-R02 | 400 | 2400 |
| 119A-92A00-R02 | 300 | 1800 |



| UNLESS OTHERWISE SPECIFIED TOLERANCE | | | |  www.attend.com.tw |
|--------------------------------------|---------|------------|--|--|
| UNIT: | DECIMAL | LINEAR | ANGLES | |
| mm | X. | ±0.50 | ±5° | |
| | X.X | ±0.25 | ±3° | |
| | X.XX | ±0.12 | ±1° | |
| DRAWN | Willis | 2009/11/11 | DRAWN NAME: | |
| CHECKED | Angel | 2009/11/11 | Mini PCI Express Socket Packaging drawing | |
| APPROVED | Ken | 2009/11/11 | PRODUCT NO. see table | |
| SCALE | n/a | SHEET 1/1 | SIZE A4 | FILE NAME 119A-XXA00-R02_D_5 |

| REV. | DESCRIPTION | DRAWN | DATE |
|------|-----------------|-------|------------|
| 1 | Initial Release | FROS | 2014/12/03 |



| UNLESS OTHERWISE SPECIFIED TOLERANCE | | | |  | |
|--------------------------------------|---------|------------|------------------------|---|-------------|
| UNIT: | DECIMAL | LINEAR | ANGLES | | |
| mm | X. | ±0.50 | ±5° | WWW.ATTEND.COM.TW | |
| | X.X | ±0.25 | ±3° | | |
| | X.XX | ±0.12 | ±1° | | |
| DRAWN | Fros | 2014/12/03 | DRAWN NAME: | | |
| CHECKED | Ron | 2014/12/03 | PHYSICAL DIMENSIONS OF | | |
| APPROVED | Albert | 2014/12/03 | PCI EXPRESS MINI CARD | | |
| SCALE | 1.6/1 | SHEET | 1/1 | SIZE | A4 |
| | | | | PRODUCT NO. | |
| | | | | FILE NAME | 119A-CARD_1 |

X-ON Electronics

Largest Supplier of Electrical and Electronic Components

Click to view similar products for [Memory Card Connectors](#) category:

Click to view products by [Attend manufacturer](#):

Other Similar products are found below :

[M21-033321-005](#) [6407-249V-25273P](#) [6407-249V-25343P](#) [6426-201-21343](#) [69.920.0553.0](#) [MCR60A-98D-2.54DSA\(70\)](#) [809180410000000](#)
[DM3AT-SF-PEJM5\(41\)](#) [N7E50-7516PG-20-WF](#) [252-0144-000](#) [2041353-2](#) [308-DS1P0811-192](#) [HM2P09PDR360N9LF](#) [11327-001](#) [11327-002](#) [617230001](#) [95622-003LF](#) [N7E50-U516RB-50-SIN0005](#) [84648-056HLF](#) [68-580163-21S](#) [93-570123-08P](#) [125A-78C00](#) [CCM03-3109 B](#)
[LFT](#) [MI21-50PD-SF\(91\)](#) [2309923-1](#) [61126-050CAHLF](#) [IC1GA-68PD-1.27DS-EJ\(72\)](#) [GTFP08432B1HR](#) [G85C11101152HHR](#)
[G85D1160022HHR](#) [KP15TL-SF\(800\)](#) [KP10BH-8S-SF\(800\)](#) [SCE2MSDB76A121SN](#) [SCE2MSDZN76A121SN](#) [47309-2651](#) [47481-0001](#)
[67799-0004](#) [91228-3006](#) [104168-1616](#) [104C-TAA1](#) [112I-TA01](#) [115S-ACA2](#) [115S-ACA3](#) [115S-BS00](#) [115S-BT00](#) [115V-AD00](#) [MCSP-Q1-08-A-SG-T/R](#) [119A-40A00-R02](#) [5008730816](#) [503960-0695](#)