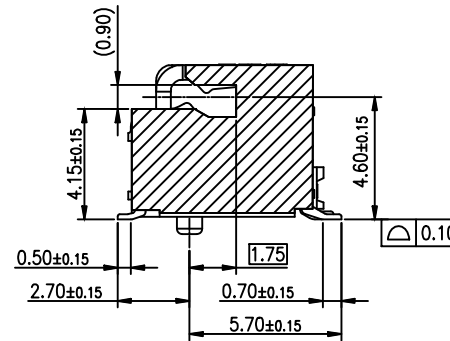
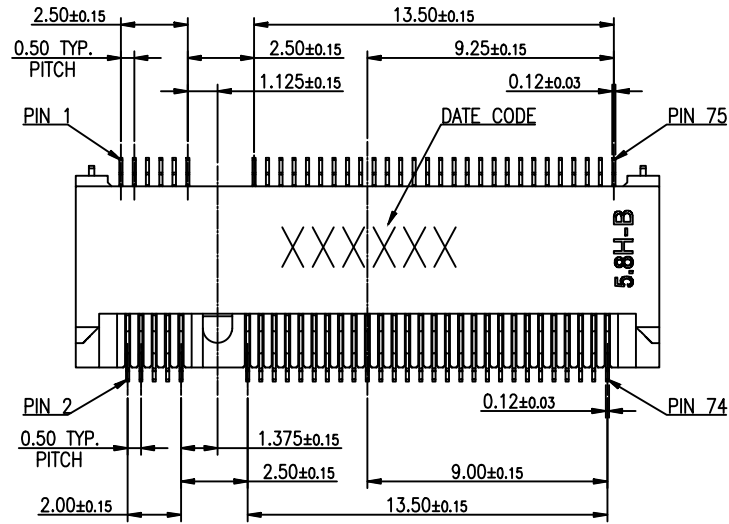
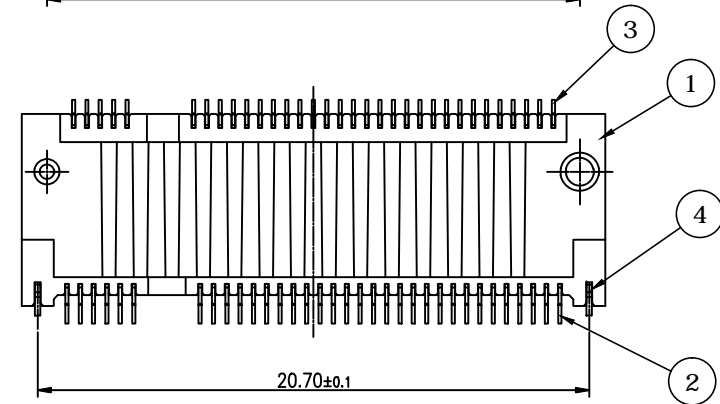
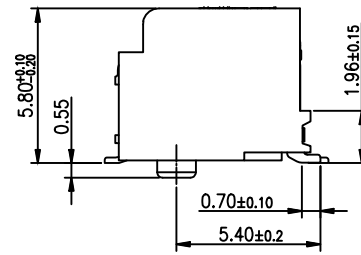
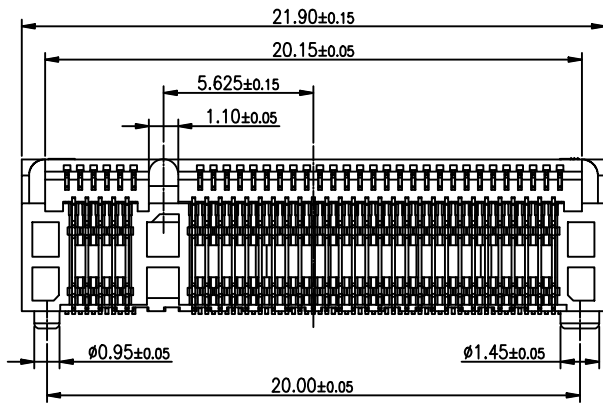


REV.	DESCRIPTION	DRAWN	DATE
1	INITIAL RELEASE	TIM	2021/06/08



SPECIFICATION:

1. ELECTRICAL
 - 1.1 Current Rating: 0.5A per pin
 - 1.2 Voltage Rating: 50VAC
 - 1.3 Contact Resistance: 55mΩ, Δ20mΩ MAX.
 - 1.4 Insulation Resistance: 500MΩ
 - 1.5 Dielectric Withstanding Voltage: 300VAC
2. MECHANICAL
 - 2.1 Durability: 60 Cycle
 - 2.2 Mating Force: 20N max.
 - 2.3 Un-mating Force: 20N max.
3. ENVIRONMENTAL
 - 3.1 Operating temperature range: -40°C~+85°C
 - 3.2 Storage temperature range: -40°C~+85°C
4. SOLDER ABILITY
 - 4.1 Recommended IR-Reflow Temperature: 260°C



4	HOLD DOWN	Copper alloy, 50u" min. Matte Tin plated, under-plated Nickel 50u" min.
3	LOWER CONTACT	Copper alloy,
2	UPPER CONTACT	Contact area: Gold flash, Solder area: Gold flash, all under-plated Nickel 50u" min.
1	INSULATOR	Thermoplastic, UL94V-0, Black
NO.	PART NAME	DESCRIPTION

UNLESS OTHERWISE SPECIFIED TOLERANCE			
UNIT:	DECIMAL	LINEAR	ANGLES
mm	X.	±0.50	±5°
	X.X	±0.25	±3°
	X.XX	±0.12	±1°

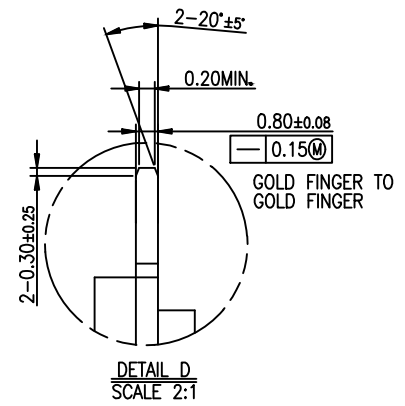
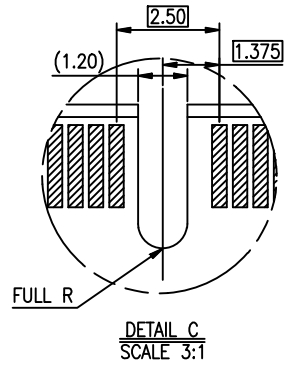
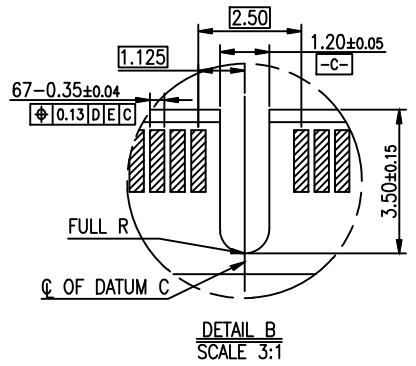
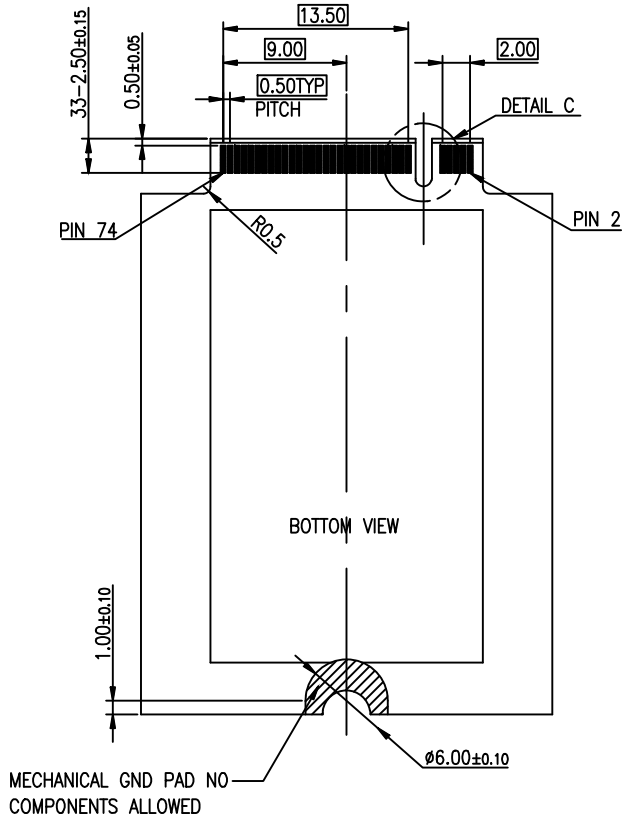
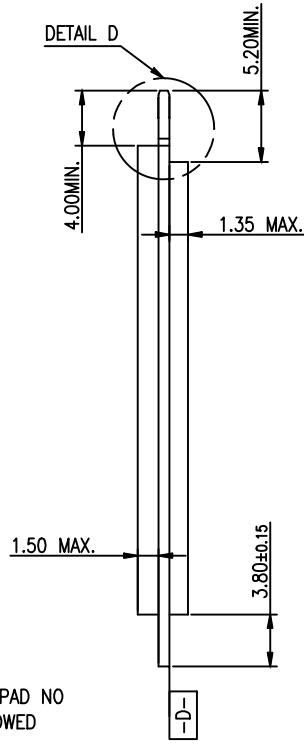
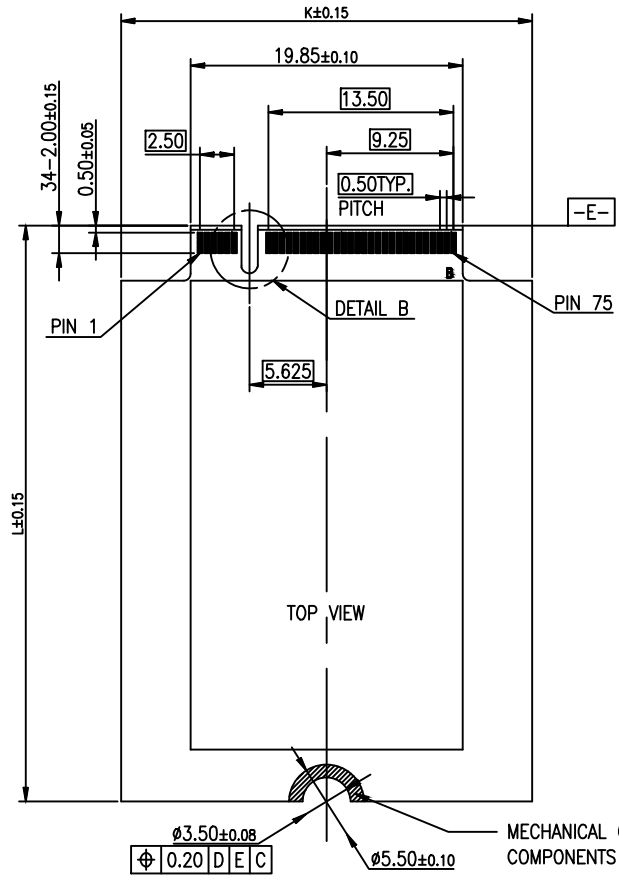



www.attend.com.tw

DRAWN	Tim	2021/06/08	DRAWN NAME:	M.2 Socket, H5.8 B Key	
CHECKED	Fros	2021/06/08		0.5 Pitch G/F, Black, Reel	
APPROVED	Ken	2021/06/08	PRODUCT NO.	123A-58B01	
SCALE	N/A	SHEET	1/3	SIZE	A4
		FILE NAME	123A-58B01_B_1		

30.00	110.00
	80.00
	60.00
22.00	42.00
	30.00
DIM. K	DIM. L

REV.	DESCRIPTION	DRAWN	DATE
	see sheet one		



UNLESS OTHERWISE SPECIFIED TOLERANCE				 www.attend.com.tw
UNIT:	DECIMAL	LINEAR	ANGLES	
mm	X.	±0.50	±5°	
	X.X	±0.25	±3°	
	X.XX	±0.12	±1°	
DRAWN	Tim	2021/06/08	DRAWN NAME:	
CHECKED	Fros	2021/06/08	M.2 Socket, H5.8 B Key 0.5 Pitch G/F, Black, Reel	
APPROVED	Ken	2021/06/08	PRODUCT NO. 123A-58B01	
SCALE	N/A	SHEET 3/3	SIZE A4	FILE NAME 123A-58B01_B_1

X-ON Electronics

Largest Supplier of Electrical and Electronic Components

Click to view similar products for [Memory Card Connectors](#) category:

Click to view products by [Attend manufacturer](#):

Other Similar products are found below :

[M21-033321-005](#) [6407-249V-25273P](#) [6407-249V-25343P](#) [6426-201-21343](#) [69.920.0553.0](#) [FCN-568P068-G/07-4V](#) [809180410000000](#)
[EN2997S72039F6](#) [N7E50-7516PG-20-WF](#) [HMCAP001](#) [252-0144-000](#) [2041353-2](#) [33CFAE-DN](#) [502431-1011](#) [EN2997S02039B8](#)
[EN2997S72039B6](#) [EN2997SE02039B8](#) [EN2997SE72039B6](#) [617230001](#) [95622-003LF](#) [N7E50-U516RB-50-SIN0005](#) [95079-00CALF](#)
[33DVIR-29S12R](#) [125A-78C00](#) [MI20A-50PD-SF-EJL\(71\)](#) [KP10S-SF-PEJ\(812\)](#) [504536-0691](#) [504580-0691](#) [CCM03-3109 B LFT](#) [2309923-1](#)
[61126-050CAHLF](#) [GTFP08432B1HR](#) [G85DT17001P1EU](#) [G85B21611142HHR](#) [GSD090144HR](#) [G85D1140022P1HR](#) [GMCB05801124EU](#)
[G85C11101152HHR](#) [G85B231021B1HR](#) [G85D1160022HHR](#) [123A-21M00](#) [123A-30B00](#) [123A-30A00](#) [123A-21A00](#) [123A-21B00](#) [123A-](#)
[21E00](#) [123A-30E00](#) [123A-30M00](#) [123A-40A00](#) [123A-40E00](#)