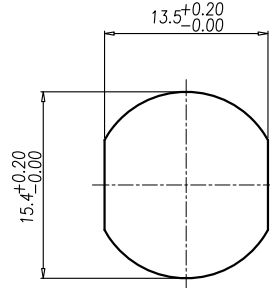
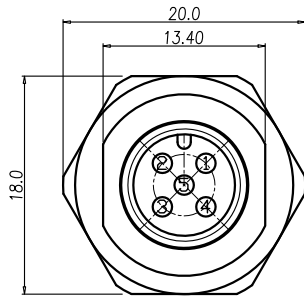
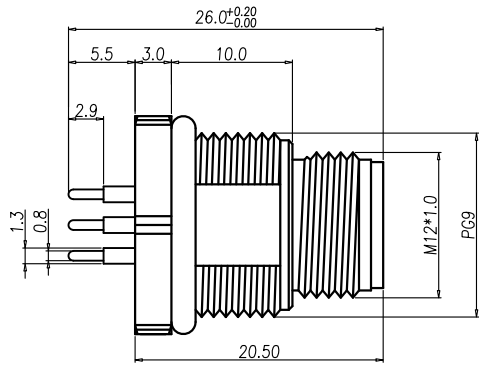


1	2	3	4	5	6	7	8	9	10
SWITCH CIRCUIT			MATERIAL AND FINISH AS BELOW						
WHEN CARD IS EJECTED		WHEN CARD IS INSERTED		A	Housing	PBT UL94V-0, Color: Black	E	O-Ring	EPDM Black
				B	Contact	Brass C3604, Contact Area:10u" Gold Plating Over Nickel	F	O-Ring	NBR Black
				C	Shell	Brass C3604, Nickel Plated	G	Epoxy Base	Epoxy Black
				D	Nut	Brass C3604, Nickel Plated	H		



RECOMMEND PANEL CUT-OUT

SPECIFICATION:

1. ELECTRICAL

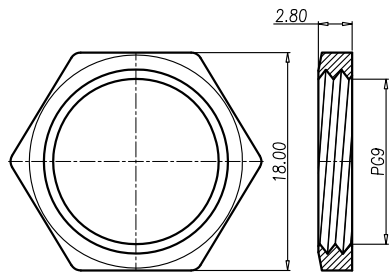
1.1 Current Rating: 4A per pin

1.2 Voltage Rating: 60V

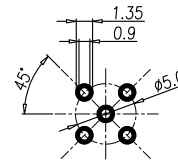
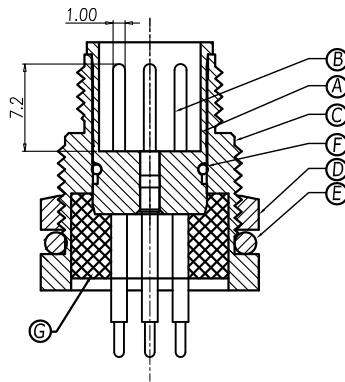
1.3 Water Proof: IPX7

2. ENVIRONMENTAL

2.1 Operating temperature range: -40°C ~ +85°C



NUT



RECOMMEND P.C.B LAYOUT

P1	P2	P3	P4	P5	P6	P7	P8	P9	P10	P11	P12
----	----	----	----	----	----	----	----	----	-----	-----	-----

PIN ASSIGNMENT

216A-05MSF
PRODUCT NO.

M12 A Code 5Pin Receptacle, Male Straight PCB Type, Front Fastened, Contact: 10u" Gold Plating
DESCRIPTION

UNLESS OTHERWISE SPECIFIED TOLERANCE		
ANGLES	ANG.	±5°
LINEAR	0.	±0.3
	0.0	±0.25
	0.00	±0.20
SCALE	AS SHOWN	UNIT: mm
DRAWN	Willis	2013/12/24
CHECKED	Angel	2013/12/24
APPROVED	Ken	2013/12/24



www.attend.com.tw

DRAWN NAME:
M12 A- Code 5Pin Receptacle
Male Straight PCB Type, Front Fastened

PRODUCT NO. 216A-05MSF

FILE NAME 216A-05MSF_B_2

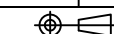
REV.	DESCRIPTION	DATE	REV.	DESCRIPTION	DATE
1			4		
2			5		
3			6		
4			7		
5			8		
6			9		
7			10		

ECR220421001

2022/04/21

INITIAL RELEASE

2013/12/24



SIZE A4

REV. 1.0

X-ON Electronics

Largest Supplier of Electrical and Electronic Components

Click to view similar products for [Attend manufacturer](#):

Other Similar products are found below :

[101B-TAA0-R](#) [101D-TAAA-R01](#) [101D-TAAB-R01](#) [104B-TAA0-R](#) [104C-TAA1](#) [104D-TCA0-R06](#) [104D-TCC0-R06](#) [104H-TDA0-R01](#)
[112A-TAAR-R03](#) [112C-TBAR-R02](#) [112I-TA01](#) [112J-TDAR-R01](#) [112L-TDA0](#) [114B-40B00-R02](#) [114B-92B00-R02](#) [115A-ADA0-R02](#)
[115A-BDA0-R01](#) [115B-AAA0-R01](#) [115C-AC00-01](#) [115C-AC00-R](#) [115C-BC00-01](#) [115D-AAA0-RA1](#) [115E-AEA0-R01](#) [115E-AEB0-R01](#)
[115G-AAAA-R](#) [115H-BA00](#) [115I-AEAA](#) [115I-BEAA-RA1](#) [115J-ACO0](#) [115L-AB380](#) [115M-AB360](#) [115P-AEA0](#) [115Q-BCA0](#) [115R-](#)
[BCA0](#) [115S-ACA0](#) [115S-ACA1](#) [115S-ACA2](#) [115S-ACA3](#) [115S-BS00](#) [115S-BS00+115S-BT02](#) [115S-BT00](#) [115U-A000](#) [115U-](#)
[A101+115U-T001](#) [115U-B100+115U-T003](#) [115V-AD00](#) [116B-DBC0-R02](#) [116G-SBO0](#) [119A-40A00-R02](#) [119A-40LATCH](#) [119A-70A00-](#)
[R02](#)