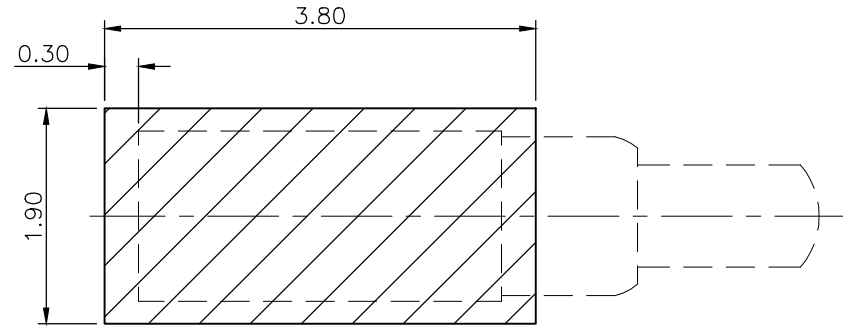
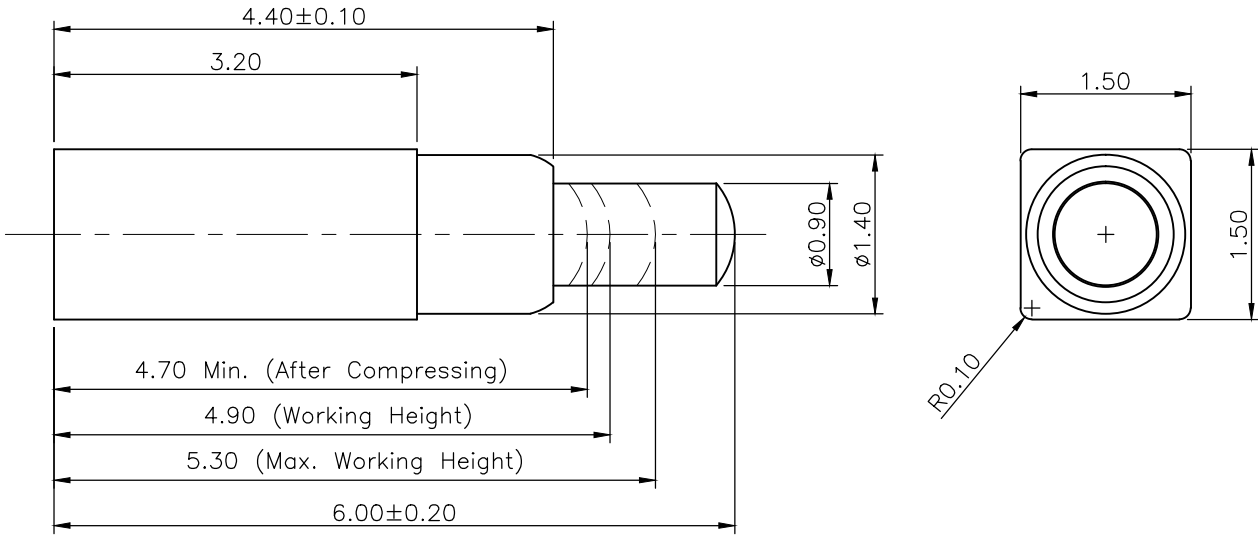


REV.	DESCRIPTION	DRAWN	DATE
1	INITIAL RELEASE	FROS	2020/05/18

**SPECIFICATION:**

1. ELECTRICAL
  - 1.1 Current Rating: 2A
  - 1.2 Voltage Rating: 30V
  - 1.3 Contact Resistance: 20mΩ
2. MECHANICAL
  - 2.1 Durability: 10,000 Cycle
  - 2.2 Spring Force: 90g±20g at working height
3. ENVIRONMENTAL
  - 3.1 Operating temperature range: -40°C~+85°C
  - 3.2 Storage temperature range: -40°C~+85°C
4. SOLDER ABILITY
  - 4.1 Recommended IR-Reflow Temperature: 260°C



Recommended Layout  
General tolerance:  $\pm 0.05\text{mm}$

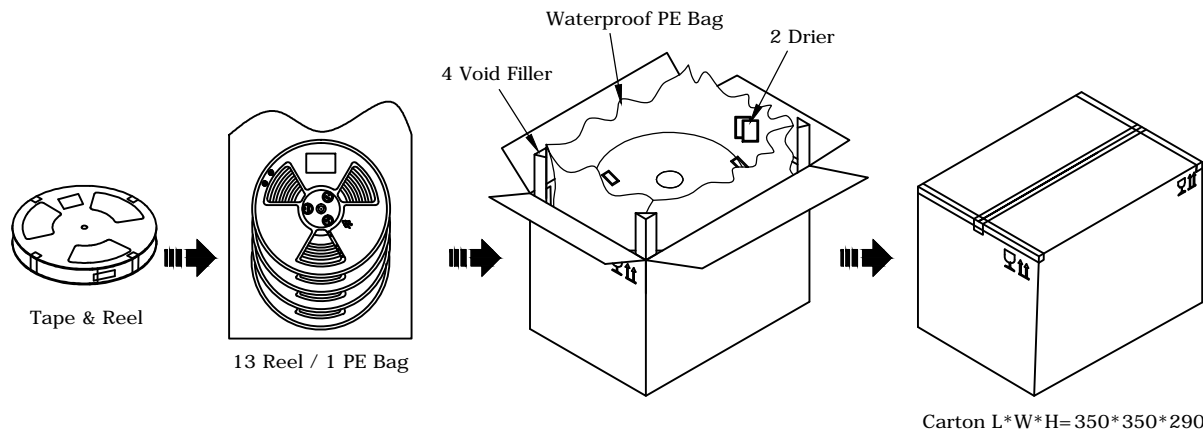
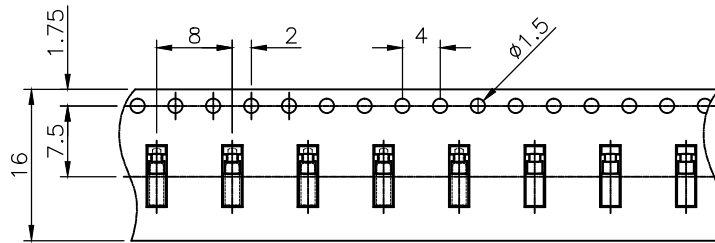
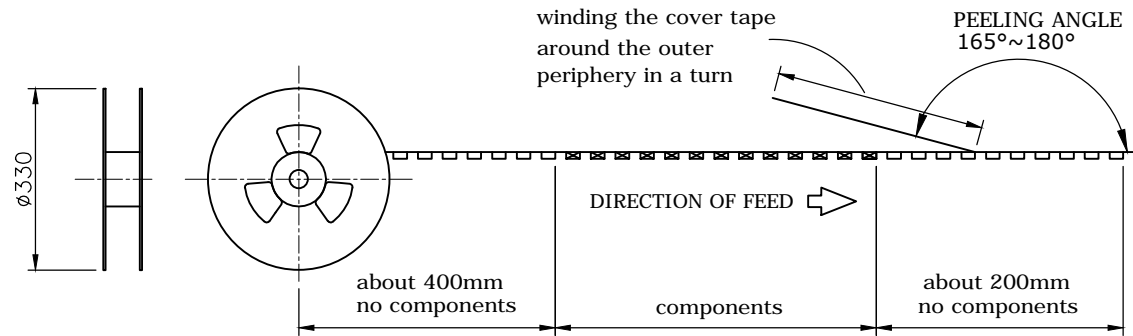
3	SPRING	Stainless steel	
2	BARREL	Brass, gold plating over nickel	
1	PISTON	Brass, gold plating over nickel	
NO.	PART NAME	DESCRIPTION	
UNLESS OTHERWISE SPECIFIED TOLERANCE			
UNIT:	DECIMAL	LINEAR	ANGLES
	mm	X. ±0.50	X.X ±5°
		X.XX ±0.25	X.X ±3°
		X.XXX ±0.12	X.X ±1°
www.attend.com.tw			
DRAWN	Fros	2020/05/18	
CHECKED	Tim	2020/05/18	
APPROVED	Ken	2020/05/18	
DRAWN NAME:		Pogo Pin, H6.0 Rectangle Body R/A SMT 5u", Reel	
PRODUCT NO.		303A-441615-000	
SCALE	SHEET	SIZE	
1/1	1/1	A4	
FILE NAME		303A-441615-000_B_1	


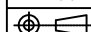


REV.	DESCRIPTION	DRAWN	DATE
1	INITIAL RELEASE	FROS	2020/05/18

## PACKAGING SPECIFICATION:

1. MATERIAL
  - 1.1 Embossed Carrier Tape: PS Black
  - 1.2 Top Cover Tape: PET  
20-80g (Peel Speed 300mm/Minute)
  - 1.3 Taping Reel: Plastic
2. PACKING
  - 2.1 Quantity:  
4,500 Piece/Reel  
13 Reel/Carton  
58,500 Piece/Outer Carton



UNLESS OTHERWISE SPECIFIED TOLERANCE					
UNIT:	DECIMAL	LINEAR	ANGLES		
mm	X.	±0.50	±5°	www.attend.com.tw	
	X.X	±0.25	±3°		
	X.XX	±0.12	±1°		
DRAWN	Fros	2020/05/18	DRAWN NAME:		
CHECKED	Tim	2020/05/18	Pogo Pin, H6.0 Rectangle Body R/A SMT 5u", Reel		
APPROVED	Ken	2020/05/18	PRODUCT NO.	303A-441615-000	
		SCALE N/A	SHEET 1/1	SIZE A4	FILE NAME 303A-441615-000_D_1

## X-ON Electronics

Largest Supplier of Electrical and Electronic Components

*Click to view similar products for [Unspecified Connectors](#) category:*

*Click to view products by [Attend manufacturer](#):*

Other Similar products are found below :

[1-21107-1](#) [RAD-OUT-8D-REL](#) [1409899](#) [1-1589688-1](#) [770690-4](#) [QUINT-PS/1AC/48DC/10](#) [1200110](#) [1200113](#) [LTWBD-06PMMP-LC7001](#)  
[RC-5AS2000](#) [RAD-900-CONF-RF1](#) [RAD-CON-SMA-N-SS](#) [RAD-PIG-EF316-N-RSMA](#) [RAD-ISM-2400-ANT-VAN-3-0-R](#) [RIF-0-RPT-](#)  
[12DC/21](#) [RIF-1-BPT/2X21](#) [RIF-RH-1](#) [2000 3/8](#) [3040 17-1/2](#) [GOL BLUE 25](#) [800307](#) [5043994](#) [5736861](#) [1714624](#) [5772605](#) [1016808](#)  
[41.032.4053.1](#) [RM12BPE-3PH\(76\)](#) [RM12BPE-6PH\(76\)](#) [44429310](#) [RM15TPD-10P\(76\)](#) [0250 02](#) [0250 03](#) [0250 04](#) [0250 05](#) [0250 06](#) [0250 07](#)  
[0250 08](#) [0251 02](#) [0251 04](#) [0251 05](#) [0251 07](#) [0251 08](#) [0251 09](#) [0252 02](#) [0252 03](#) [0252 04](#) [0252 05](#) [0252 07](#) [0252 09](#)