

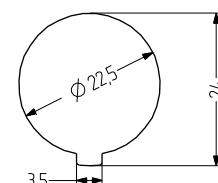
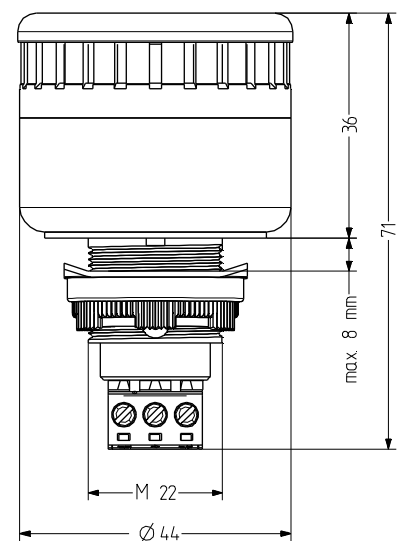
## ESM Panel mount buzzer

- Ø 45 mm panel-mount buzzer
- Max. 100 dB (A) sound pressure, infinitely adjustable
- High degree of protection IP 65
- Panel size Ø 22.5 mm/M22
- 2 easily distinguishable tones
- User-friendly connection technology
- For industrial and general applications
- Adapter available for M30.5 mm panel size



### TECHNICAL DATA

Housing	Ø 45 mm Polycarbonate black (RAL 9005) or grey (RAL 7035)
Type of mounting	any
Panel size	22 mm (M22) and 30.5 mm (with adapter)
Connection technology	plug-in screw terminal bis 2,5 mm <sup>2</sup>
Leakage current	0,003 A
Tone	2 Tones, 2 Tones can be switched externally, Steady tone or Pulsing tone
Volume	85-100 dB (can be adjusted with potentiometer)
Tone frequency	3.300 Hz
Duty cycle	100 %
Operating temperature	-25 °C / +60 °C
Degree of protection	IP65 & UL Type 4/4x/13
Weight	35 g



# ESM

## ORDER DATA

Nominal voltage	Voltage range (V)	Nominal current (A)	Mains frequency	Housing colour	
				grey	black
12-24 V AC/DC	8-24	0,019	50-60 Hz	813 100 405	813 500 405
110-120 V AC	75-140	0,042	50-60 Hz	813 100 310	813 500 310
230 V AC	150-260	0,040	50-60 Hz	813 100 313	813 500 313



ADM30

## ACCESSORIES

Type	Type of accessory	Weight	Order number
ADM30	Adapter for M30.5 for 30.5 mm holes	8 g	812 500 900

## tone TABLE

Tone on terminal

La	N	Lb	
X	X		pulsing tone
X	X	X	continuous tone



## X-ON Electronics

Largest Supplier of Electrical and Electronic Components

*Click to view similar products for [Auer Signal](#) manufacturer:*

Other Similar products are found below :

[710000004](#) [710000005](#) [710000113](#) [710100005](#) [710100105](#) [710100113](#) [710111005](#) [710111113](#) [710112005](#) [710117005](#) [710117113](#)  
[812500405](#) [812510405](#) [813500405](#) [900002900](#) [900004900](#) [900007900](#) [900012405](#) [900014405](#) [900015405](#) [900016405](#) [900017405](#)  
[900500313](#) [900500405](#) [900582900](#) [901001900](#) [901002900](#) [901004900](#) [901005900](#) [901006900](#) [901007900](#) [901011405](#) [901012405](#)  
[901016405](#) [901017405](#) [901500313](#) [901500405](#) [901573900](#) [901582900](#) [902001900](#) [902002900](#) [902004900](#) [902005900](#) [902006900](#)  
[902007900](#) [902011405](#) [902012405](#) [902014405](#) [902015405](#) [902016405](#)