

## PCH LED steady/flashing beacon

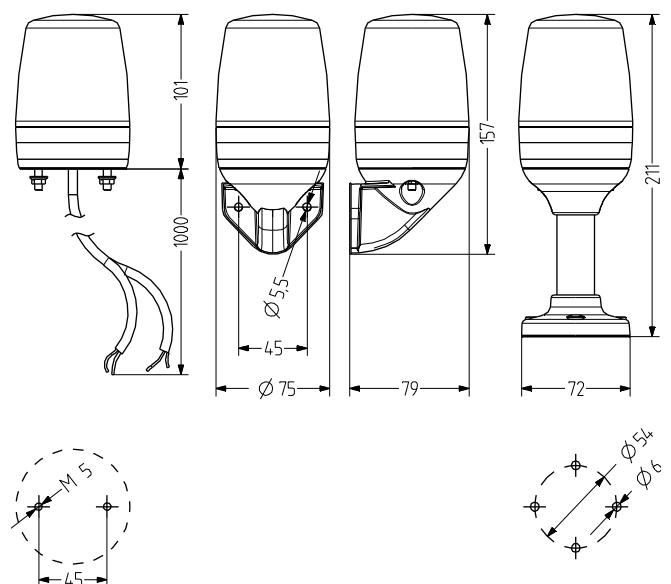
- Ø 75 mm LED steady/flashing beacon
- Good signalling effect
- Prewired with 1 m PUR cable – ready to use
- High degree of protection IP 66 & IP 67
- Modern LED technology and electronics
- Steady/flashing light, can be switched externally
- Premounted stainless-steel fixing screws
- 3 types of mounting, for industrial and general applications



Sealed cable  
insulation/entry

### TECHNICAL DATA

Housing	Ø 75 mm, 100 mm High lens , Polycarbonate black (RAL 9005)
Lens	Polycarbonate, ribbed inside orange, red, clear, blue, green or yellow
Type of mounting	any
Cable entry	pre-wired (1 m cable)
Leakage current	0,003 A (PLC-suitable)
Beacon type	LED steady beacon or LED flashing beacon
Light source	16 LEDs
Strobe/flash frequency	2 Hz
Duty cycle	100 %
Service life	Light source: >50.000 h
Operating temperature	-30°C/+60°C
Degree of protection	IP66 & IP67
Impact resistance	IK08
Weight	200 g



# PCH

## ORDER DATA

Lens colour	Nominal voltage	Voltage range (V)	Nominal current (A)	Order number
orange	24 V AC/DC	18-28 V AC	0,200	860 501 405
		20-35 V DC	0,120	
	110-120 V AC	80-132	0,062	860 501 310
	230-240 V AC	140-264	0,066	860 501 313
red	24 V AC/DC	18-28 V AC	0,200	860 502 405
		20-35 V DC	0,120	
	110-120 V AC	80-132	0,062	860 502 310
	230-240 V AC	140-264	0,066	860 502 313
clear	24 V AC/DC	18-28 V AC	0,225	860 504 405
		20-35 V DC		
	110-120 V AC	80-132	0,058	860 504 310
	230-240 V AC	140-264	0,065	860 504 313
blue	24 V AC/DC	18-28 V AC	0,225	860 505 405
		20-35 V DC		
	110-120 V AC	80-132	0,058	860 505 310
	230-240 V AC	140-264	0,065	860 505 313
green	24 V AC/DC	18-28 V AC	0,225	860 506 405
		20-35 V DC		
	110-120 V AC	80-132	0,058	860 506 310
	230-240 V AC	140-264	0,065	860 506 313
yellow	24 V AC/DC	18-28 V AC	0,200	860 507 405
		20-35 V DC	0,120	
	110-120 V AC	80-132	0,062	860 507 310
	230-240 V AC	140-264	0,066	860 507 313



Steady & flashing



PMR



PVW



XWR

## ACCESSORIES

Type	Type of accessory	Tube length	Weight	Order number
PMR	Tube base Aluminium tube with plastic foot	100 mm		860 702 900
		250 mm		860 703 900
PVW	Bracket for vertical mounting			860 600 900
XWR	Bracket for vertical mounting of TMR/UMR tube base		95 g	900 600 900

## X-ON Electronics

Largest Supplier of Electrical and Electronic Components

*Click to view similar products for [Auer Signal](#) manufacturer:*

Other Similar products are found below :

[HD90-Q31](#) [902015405](#) [710000004](#) [900004900](#) [900007900](#) [900014405](#) [900015405](#) [900500313](#) [901004900](#) [901007900](#) [901017405](#)  
[902017405](#) [915014005](#) [915024005](#) [915025005](#) [CT5-Q31](#) [ECO40-Q02](#) [ECO40-Q31](#) [ECO60-Q02](#) [ECO60-Q81](#) [ECO70-Q05](#) [ECO70-Q81](#)  
[HD90-Q01](#) [HD90-Q81](#) [901012405](#) [900582900](#) [902005900](#) [902001900](#) [902004900](#) [902014405](#) [902016405](#) [915015005](#) [C115200113](#)  
[710111005](#) [710117113](#) [900500405](#) [901002900](#) [901005900](#) [902500313](#) [915017005](#) [915021005](#) [915026005](#) [915743900](#) [ECO40-Q05](#)  
[ECO40-Q81](#) [ECO60-Q05](#) [ECO60-Q31](#) [ECO70-Q02](#) [ECO70-Q31](#) [901573900](#)