

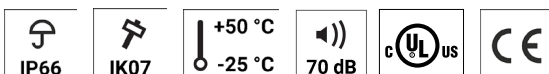
# MT60 Monolithic signal tower

- pre-assembled entry level signal tower for ready-to-go installation
- excellent circular light distribution to prevent blind spots
- transparent lens to prevent wrong signaling indication caused by external light interferences
- easy cleaning of the monolithic single lens also powerful water jets possible (IP66)
- fixed, separated color positions (green/yellow/red)
- steady light and escalation options, including flashing red and/or sound



## TECHNICAL DATA

Housing	Polycarbonate, white
Lens	Polycarbonate, clear
Type of mounting	Tube base (100 mm), vertical (with bracket), horizontal or external tube mounting, M22 with 5-pin M12 connector
Leakage current	3 mA first input, 1 mA each additional input
Beacon type	LED steady and / or flashing (red)
Light source	LED
Tone	Sounder optional (pulsing tone)
Volume	> 70 dB
Duty cycle	100 %
Operating temperature	-25 °C / +50 °C
Degree of protection	IP66
Impact resistance	IK07



# MT60 Pre-assembled signal towers

## ORDER NUMBERS

Order Number	Nominal Voltage	Function	Sounder	Type of Mounting
MT60-F100-24VDC	24 V DC	LED steady (green-yellow-red) & flashing (red)	no	tube base (100 mm)
MT60-W-24VDC	24 V DC	LED steady (green-yellow-red) & flashing (red)	no	vertical (with bracket)
MT60-S-24VDC	24 V DC	LED steady (green-yellow-red) & flashing (red)	no	horizontal or external tube mounting
MT60-M12-24VDC	24 V DC	LED steady (green-yellow-red) & flashing (red)	no	M22 with 5-pin M12 connector
MT60-F100-S-24VDC	24 V DC	LED steady (green-yellow-red) & flashing (red)	> 70 dB	tube base (100 mm)
MT60-W-S-24VDC	24 V DC	LED steady (green-yellow-red) & flashing (red)	> 70 dB	vertical (with bracket)
MT60-S-S-24VDC	24 V DC	LED steady (green-yellow-red) & flashing (red)	> 70 dB	horizontal or external tube mounting
MT60-M12-S-24VDC	24 V DC	LED steady (green-yellow-red)	> 70 dB	M22 with 5-pin M12 connector
MT60-F100-110VAC	110 V AC	LED steady (green-yellow-red) & flashing (red)	no	tube base (100 mm)
MT60-W-110VAC	110 V AC	LED steady (green-yellow-red) & flashing (red)	no	vertical (with bracket)
MT60-S-110VAC	110 V AC	LED steady (green-yellow-red) & flashing (red)	no	horizontal or external tube mounting
MT60-F100-S-110VAC	110 V AC	LED steady (green-yellow-red) & flashing (red)	> 70 dB	tube base (100 mm)
MT60-W-S-110VAC	110 V AC	LED steady (green-yellow-red) & flashing (red)	> 70 dB	vertical (with bracket)
MT60-S-S-110VAC	110 V AC	LED steady (green-yellow-red) & flashing (red)	> 70 dB	horizontal or external tube mounting
MT60-F100-230VAC	230 V AC	LED steady (green-yellow-red) & flashing (red)	no	tube base (100 mm)
MT60-W-230VAC	230 V AC	LED steady (green-yellow-red) & flashing (red)	no	vertical (with bracket)
MT60-S-230VAC	230 V AC	LED steady (green-yellow-red) & flashing (red)	no	horizontal or external tube mounting
MT60-F100-S-230VAC	230 V AC	LED steady (green-yellow-red) & flashing (red)	> 70 dB	tube base (100 mm)
MT60-W-S-230VAC	230 V AC	LED steady (green-yellow-red) & flashing (red)	> 70 dB	vertical (with bracket)
MT60-S-S-230VAC	230 V AC	LED steady (green-yellow-red) & flashing (red)	> 70 dB	horizontal or external tube mounting

## ACCESSORIES



WM22



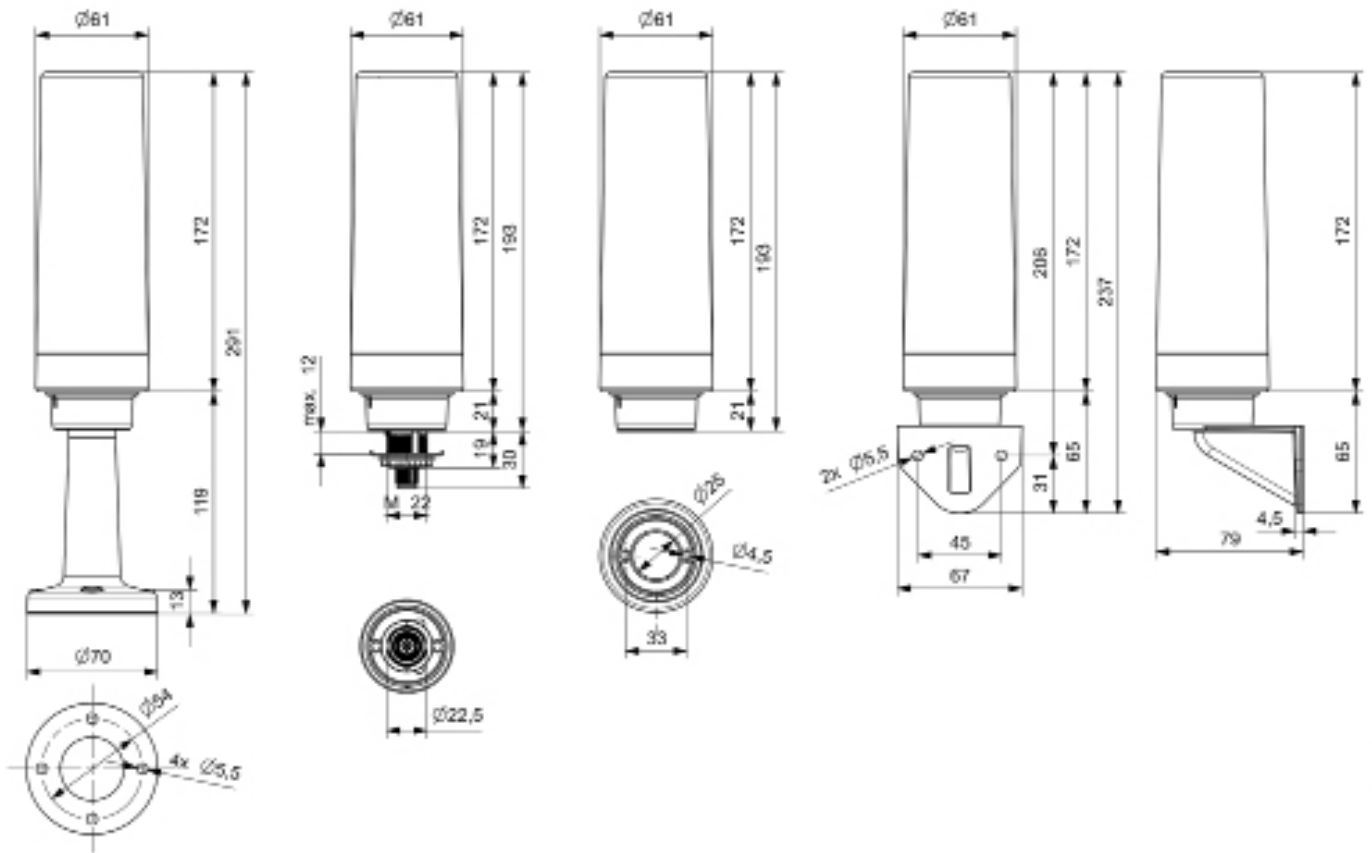
WZC



CT5SK

Type	Type of accessory	Order number
WM22	Metal bracket for products with M22 mounting thread	812 100 900
WZC	Metal bracket for vertical mounting	200 550 900
CT5SK	Screw set for external tube mounting	915 710 910

# MT60 Dimension Drawing



## X-ON Electronics

Largest Supplier of Electrical and Electronic Components

*Click to view similar products for [Tower Lights](#) category:*

*Click to view products by [Auer Signal](#) manufacturer:*

Other Similar products are found below :

[5125](#) [TL50BGYRQ](#) [TL50GYRAQ](#) [LD6A-3DQB-RYG](#) [LD6A-3DZQB-RYG](#) [790520900](#) [LD6A-3WQB-RYG](#) [LD6A-0PZQB](#) [2994](#)  
[TL50HRQP](#) [4000-76501-5310000](#) [TL50GRAQ](#) [TL50GYRQ](#) [TL50GYR](#) [LD6A-3WZQB-RYG](#) [TL70GYRQ](#) [C30-Q01](#) [HD90-Q01](#) [HD90-](#)  
[Q31](#) [B-TL70B-Q5](#) [B-TL70B-Q8](#) [LCA130T3-TL50GYR300Q](#) [LCA130T3-TL50GYR600Q](#) [LCA130T3-TL50GYR900Q](#) [LCA130T3-](#)  
[TL50GYRAJ300Q](#) [LCA130T3-TL50GYRAJ600Q](#) [LCA130T3-TL50GYRAJ900Q](#) [LCA130T4-TL50BGYR300Q](#) [LCA130T4-](#)  
[TL50BGYR600Q](#) [LCA130T4-TL50BGYR900Q](#) [LCA130T4-TL50BGYRAJ300Q](#) [LCA130T4-TL50BGYRAJ600Q](#) [LCA130T4-](#)  
[TL50BGYRAJ900Q](#) [LCA130T4-TL50GYRA300Q](#) [LCA130T4-TL50GYRA600Q](#) [LCA130T4-TL50GYRA900Q](#) [LCA130T5-](#)  
[TL50BGYRA300Q](#) [LCA130T5-TL50BGYRA600Q](#) [LCA130T5-TL50BGYRA900Q](#) [SG-TL70-A](#) [SG-TL70B-A](#) [SG-TL70B-B](#) [SG-TL70B-G](#)  
[SG-TL70B-R](#) [SG-TL70B-W](#) [SG-TL70B-Y](#) [SG-TL70-W](#) [SG-TL70-G](#) [SG-TL70-O](#) [SG-TL70-Y](#)