



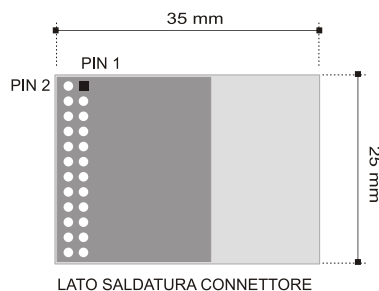
Modulo ZigBee alta potenza

XTR-ZBPRO-xHE

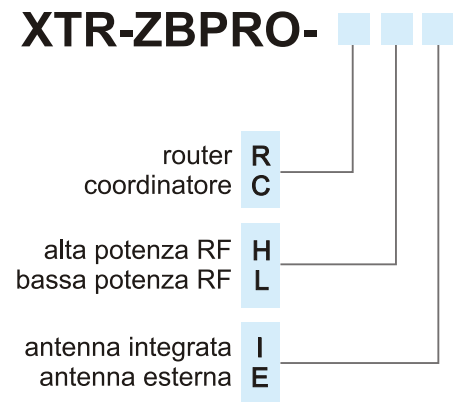
- Moduli ad alta efficienza e ad alta potenza (XTR-ZBPRO-xHE) per copertura ottimale anche di vaste superfici.
- Interfaccia operativa su PC mediante OCX che può essere integrato da un programma ad alto livello (Visual Basic, Visual C, Java ecc) del cliente consentendo la gestione dell'intera rete.
- Software applicativo in Visual Basic per l'utilizzo del componente OCX Aurel che dimostra la creazione, la gestione e la diagnostica della rete utilizzando solo comandi ad alto livello senza necessità di conoscere dettagli specifici propri della rete.
- Scambio dati di tipo Mesh fra dispositivi della rete mediante l'utilizzo di sole stringhe ASCII con indirizzo più dati.
- Possibilità di blocco della rete una volta formata e attivata con certezza del controllo di tutti i componenti anche in presenza di reti ZigBee contigue.
- Set di comandi mediante stringhe ASCII per l'utilizzo a basso livello dei moduli.

Pin-Out

- | | |
|-------------|---------------|
| 1) Vcc | 13) OUT 1 |
| 2) GND | 14) OUT R. |
| 3) INPUT R. | 15) OUT 3 |
| 4) ADC1 | 16) OUT 2 |
| 5) RSTX | 17) IN 1 |
| 6) RSRX | 18) OUT 4 |
| 7) RTS | 19) IN 3 |
| 8) CTS | 20) IN 2 |
| 9) ADC3 | 21) INTERRUPT |
| 10) GND | 22) PWD |
| 11) ADC2 | 23) GND |
| 12) ADC4 | 24) RESET |



XTR-ZBPRO-



Applicazioni

Creazione di reti ZigBee con supporto software ad alto livello per alta efficienza di gestione e controllo.

XTR-ZBPRO-RHE, XTR-ZBPRO-CHE

Ta = 25 °C

Caratteristiche	Min	Typ	Max	Unit
Alimentazione	2.0	3.3	3.6	Vdc
Assorbimento (RX mode)		27		mA
Assorbimento (TX mode)		60		mA
Modulazione		O-QPSK		
Sensibilità		-102		dBm
Potenza d'uscita RF (ERP)		13		dBm
Frequenza RF	2405		2480	MHz
Canali		16		
Banda RF		2		MHz
Velocità di trasmissione		250		kbps



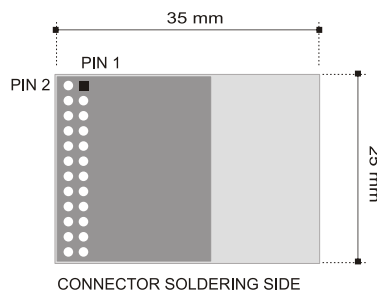
High power ZigBee module

XTR-ZBPRO-xHE

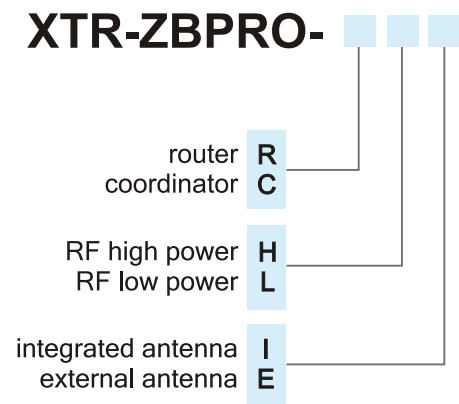
- High efficiency and high power (XTR-ZBPRO-xHE) modules for best coverage of wide areas.
- PC operative interface through OCX file which can be easily embedded into the customer high level language program (Visual Basic, Visual C, Java, etc, allowing the convenient network handling.
- Application software in Visual Basic language for usage of Aurel OCX component which shows how to create, manage and monitor the network by means of high level commands without needing any further pieces of information regarding the network itself.
- Mesh-type data transmission among network nodes by utilizing only ASCII strings made up of address+data format.
- Possibility to lock the network once it is built up and working, allowing the highest control even in presence of other nearby Zigbee networks.
- Commands set by ASCII strings for low level module usage.

Pin-Out

- | | |
|-------------|---------------|
| 1) Vcc | 13) OUT 1 |
| 2) GND | 14) OUT R. |
| 3) INPUT R. | 15) OUT 3 |
| 4) ADC1 | 16) OUT 2 |
| 5) RSTX | 17) IN 1 |
| 6) RSRX | 18) OUT 4 |
| 7) RTS | 19) IN 3 |
| 8) CTS | 20) IN 2 |
| 9) ADC3 | 21) INTERRUPT |
| 10) GND | 22) PWD |
| 11) ADC2 | 23) GND |
| 12) ADC4 | 24) RESET |



XTR-ZBPRO-



Application

Start up of Zigbee network with high level software support for best network management and control.

XTR-ZBPRO-RHE, XTR-ZBPRO-CHE

Ta = 25 °C

Characteristics	Min	Typ	Max	Unit
Voltage supply	2.0	3.3	3.6	Vdc
Current supply (RX mode)		27		mA
Current supply (TX mode)		60		mA
Modulation type		O-QPSK		
Receiver sensitivity		-102		dBm
RF Power out (ERP)		13		dBm
RF channels frequencies	2405		2480	MHz
Number of channels		16		
RF bandwidth		2		MHz
RF data rate		250		kbps

X-ON Electronics

Largest Supplier of Electrical and Electronic Components

Click to view similar products for [RF Modules](#) category:

Click to view products by [Aurel](#) manufacturer:

Other Similar products are found below :

[2221706-1](#) [RAD-900-DAIO6](#) [650200791G](#) [650200714G](#) [RFM95PW-915S2](#) [VG2389S433N0S1](#) [VG6244S580X0M1](#) [RC-WLE5-868-HA](#)
[RFM219BW-868S2](#) [E49-900M20S](#) [E01-2G4M27SX](#) [DL-297LDA-S](#) [DL-24PA-C](#) [DL-Si24R1-A](#) [VG3411S433N0S1](#) [HY831S](#) [TR1101](#)
[VG4130S433N0S1](#) [VG4142T868N0M1](#) [VG3411S915N0S1](#) [E310-433T23S](#) [E43-900T13S3](#) [E07-400MM10S](#) [DL-PAN3029-S-915S](#) [DL-](#)
[PAN3029-S-433S](#) [E01C-2G4M11S](#) [DL-PAN3029-S-868S](#) [E70-433MT14S](#) [E03-2G4M10S](#) [E01C-ML01S](#) [E610-433T20S](#) [E610-](#)
[DTU\(433C30\)](#) [E01-2G4M13S](#) [E30-400M20S\(4463\)](#) [E49-400M30S](#) [E31-230T27D](#) [E41-400M20S](#) [E07-900MM10S](#) [E01-2G4M20S1B](#) [E70-](#)
[900T14S](#) [E01C-ML01D](#) [E49-400T30S](#) [E30-170T27D](#) [E62-433T30D](#) [E21-400G30S](#) [E07-900T10S](#) [E04-400M16S](#) [E01-ML01DP4](#) [E610-](#)
[433T30S](#) [E29-400M22S](#)