

FEATURES

25W Constant Current LED Driver LEDWC-025 series

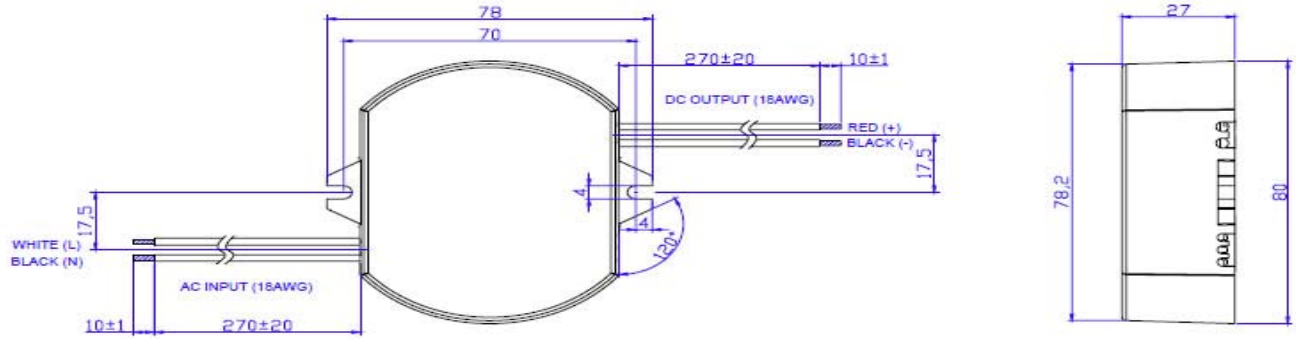
- Very High Efficiency (Up to 84%)
- Active Power Factor Correction
- Waterproof (IP66)
- Optional Dimming Control
- Overload, Short Circuit and Over Voltage Protection
- Compliant With UL8750 & EN61347 Safety Regulations
- UL 1310 Class 2 Outputs (Some Models)
- Compliant with ANSI/IEEE C62.41, Class A Operation



SPECIFICATION

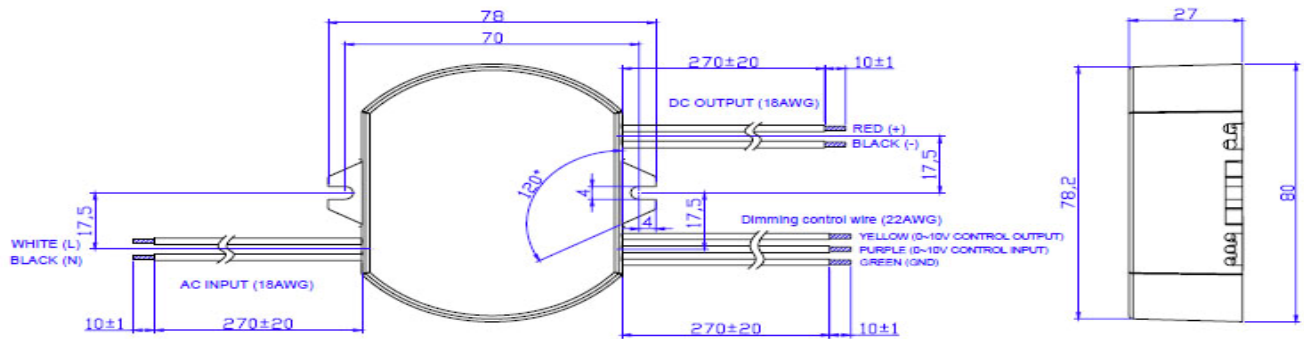
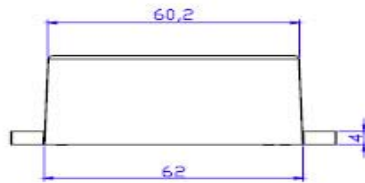
Model		LEDWCx 025S208PS (6)	LEDWCx 025S175PS (6)	LEDWCx 025S140PS (6)	LEDWCx 025S105PS (6)	LEDWCx 025S070PS (6)	LEDWCx 025S062PS (7)	LEDWCx 025S045PS (7)	LEDWCx 025S035PS	
Output	Rated Current	2080 mA	1750 mA	1400 mA	1050 mA	700 mA	620 mA	450 mA	350 mA	
	Current Range (Min/Max) mA	1976 / 2184	1663 / 1838	1330 / 1470	998 / 1103	665 / 735	589 / 651	428 / 473	333 / 368	
	Rated Power	25W	25W	25W	25W	25W	25W	25W	25W	
	Ripple & Noise (max.) (2)	3V	3V	3V	3V	4V	4V	4V	5V	
	Max. Voltage	12 Vdc	14 Vdc	18 Vdc	24 Vdc	36 Vdc	40 Vdc	56 Vdc	72 Vdc	
	Voltage Range (Min - Max)	4V -12V	5V - 14V	6V - 18V	8V - 24V	12V - 36V	13V - 40V	19V - 56V	24V - 72V	
	No Load Output Voltage	16V	18V	22V	30V	42V	48V	61V	79V	
	Line Regulation	3%								
	Load Regulation	5%								
	Setup, Rise Time (Typ.)	2.5S (110 VAC) and 1.5S (220 VAC)								
Input	Voltage Range	90V ~ 305VAC								
	Frequency Range	47Hz / 63Hz								
	Power Factor Correction	98% @ 110 VAC 92% @ 220 VAC								
	Efficiency (Typ.) (1)	80%	81%	81%	82%	83%	83%	84%	84%	
	Inrush Current	60A @ 230VAC Input and 25°C cold start								
	Leakage Current	0.5 mA max. at 277Vac 50Hz input								
	AC Current (Typ.)	0.43 A / 100VAC 0.22A / 220VAC								
Protections	Short Circuit Protection	Protection type : Hiccup mode, recovers automatically after fault condition is removed								
	Over Load Protection	1.25 V max Protection type : Hiccup mode, recovers automatically after fault condition is removed								
	Over Voltage (Typ.)	16V	20V	24V	30V	43V	47V	59V	80V	
Environmental	Temperature Range	Operational	- 20°C ~ 70°C See derating curve							
		Storage	- 40 ~ +85°C							
	Humidity	Operational	10 ~ 100% RH							
		Storage	5 ~100% R.H							
Safety & EMC	Safety Standards	UL8750, UL935, UL1012, UL1310 Class 2, CSA-C22.2 No. 107.1, CSA C22.2 NO. 223-M91 Class 2								
	CE	EN 61347-1, EN61347-2-13								
	Energy Star	Comply With ANSI/IEEE C62.41, Class A Operation								
	EMI Conduction & Radiation	EN55015 with 6db margin								
	Harmonic Current	EN61000-3-2 , EN61000-3-3								
	EMS Immunity	EN61000-4-2, EN61000-4-3, EN61000-4-4, EN61000-4-6, EN61000-4-8, EN61000-4-11, EN 61547								
Others	MTBF (3)	484K HRS Compliance: MIL-HDBK-217F @ 25°C ambient temp.								
	Life Time (4)	79,000 hours @ 45°C ambient temp.								
	Dimensions (L*W*H)	78*80*27 (mm) - 3.07*3.15*1.06 (inch)								
	Weight	200 g - 0.44Lb								

Mechanical Specification



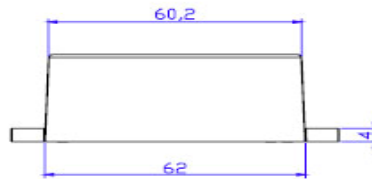
LEDWC-025SXXXPS

PROJ: 



LEDWCD025SXXXPS

PROJ: 



Efficiency

Model	LEDWCx 025S208PS	LEDWCx 025S175PS	LEDWCx 025S140PS	LEDWCx 025S105PS	LEDWCx 025S070PS	LEDWCx 025S062PS	LEDWCx 025S045PS	LEDWCx 025S035PS
Efficiency @ Full Load and 110VAC (min)	78.0%	79.0%	79.0%	80.0%	81.0%	81.0%	82.0%	82.0%
Efficiency @ Full Load and 110VAC (typ)	79.0%	80.0%	80.0%	81.0%	82.0%	82.0%	83.0%	83.0%
Efficiency @ Full Load and 220VAC (min)	79.0%	80.0%	80.0%	81.0%	82.0%	82.0%	83.0%	83.0%
Efficiency @ Full Load and 220VAC (typ)	80.0%	81.0%	81.0%	82.0%	83.0%	83.0%	84.0%	84.0%

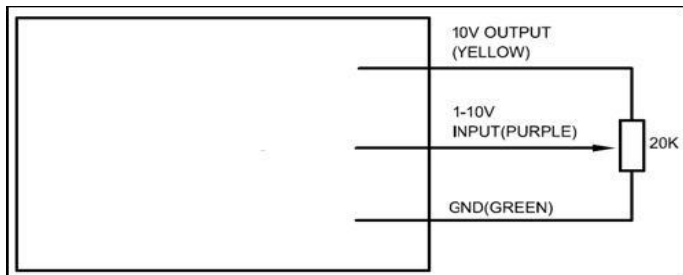
NOTES:

1. Measured at full load, 220VAC input.
2. Ripple & noise are measured at 20MHz of bandwidth oscilloscope and the output paralleled with a 0.1 uf ceramic capacitor & 10 uf electrolytic capacitor.
3. For 2080mA output model, measured at 110VAC input, 80%load and 25°C ambient temperature.
4. For 2080mA output model, measured at 110VAC input, 80%load and 45°C ambient temperature.
5. All parameters NOT specially mentioned are measured at 220VAC input, rated load and 25°C ambient temperature.
6. Class 2 output (USR & CNR).
7. Class 2 output (USR)
8. Specifications are subject to change without notice. AUTECH will not be held liable for errors or omissions or the consequences thereof.

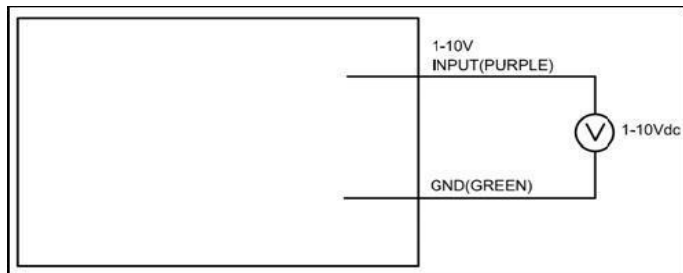
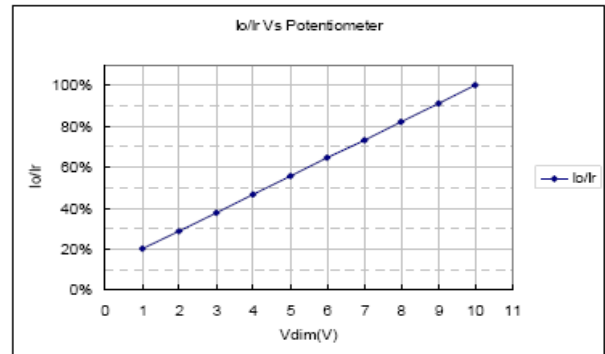
Dimming Control (On secondary side)

Parameter	Min.	Typ.	Max.
10V output voltage	9.8V	10V	10.2V
10V output source current	-10 mA	-	2 mA
Absolute maximum voltage on the 0-10V input pin	-2V	-	15V
Source current on 0-10V input pin	0 mA	-	1 mA

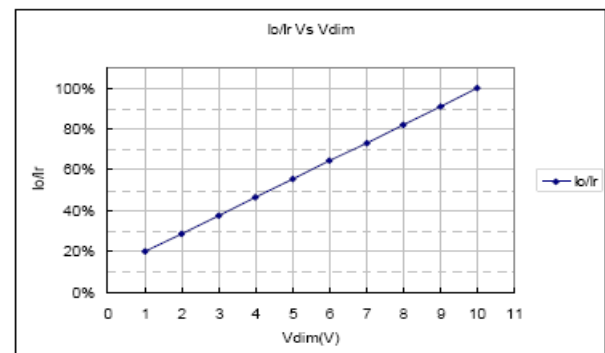
The dimmer control may be operated from either a potentiometer or from an input signal of 1 – 10 Vdc. Two recommended implementations are provided below.



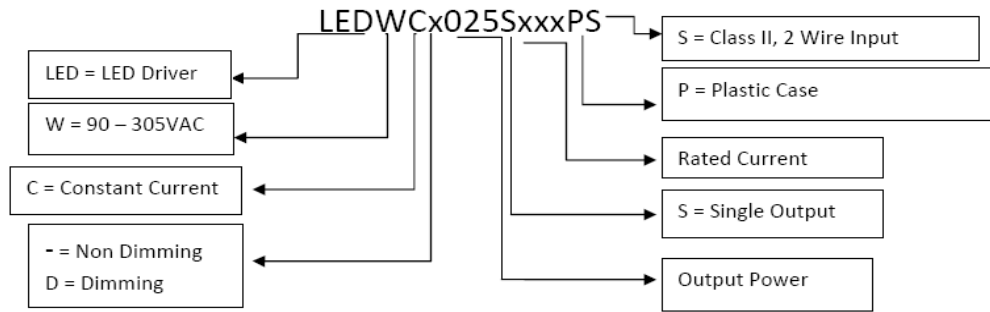
Implementation 1: Potentiometer control



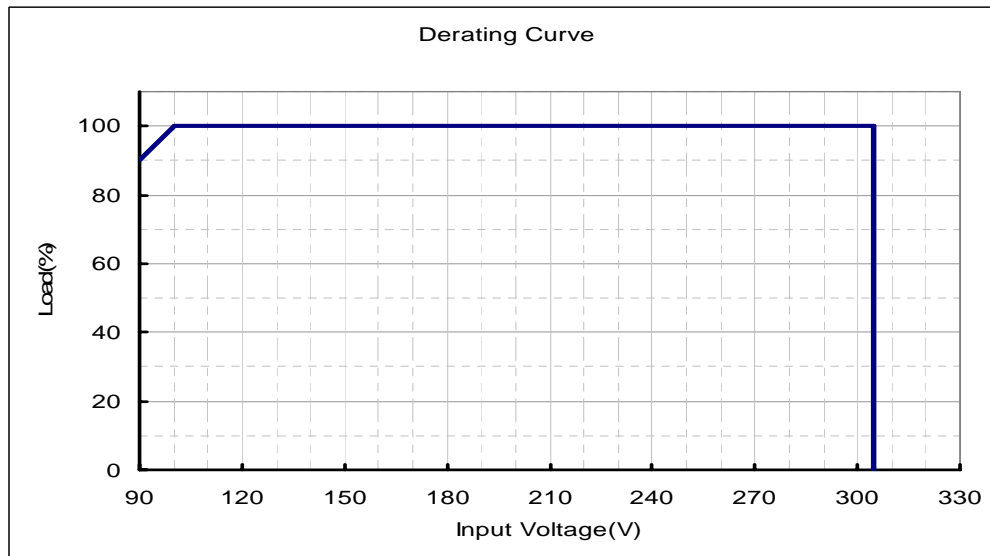
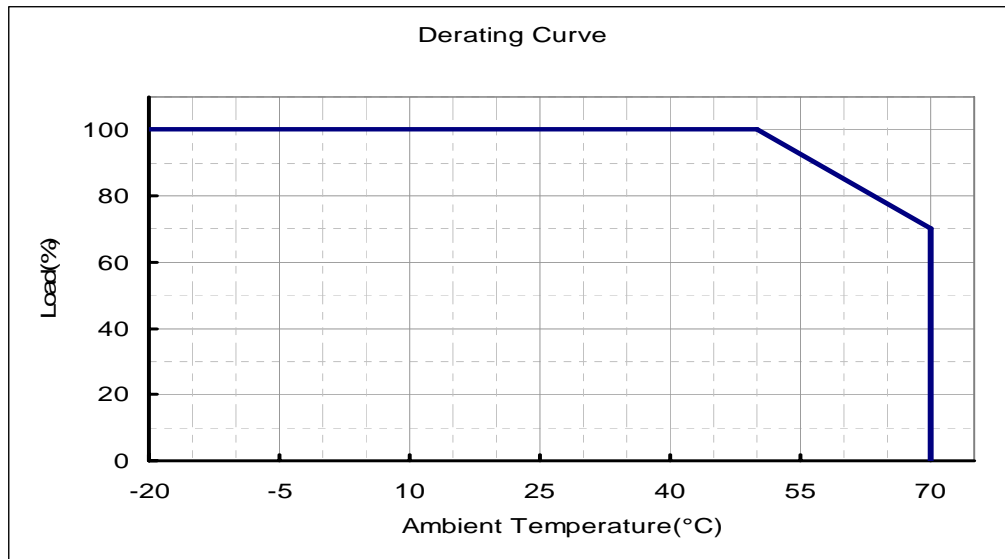
Implementation 2: DC input



Part Number Builder



Derating Curves



X-ON Electronics

Largest Supplier of Electrical and Electronic Components

Click to view similar products for [autec power systems](#) manufacturer:

Other Similar products are found below :

[LEDHCD075S210ST-MD](#) [SP-500-24](#) [LEDWC-150S070ST](#) [LEDWCD025S070PS](#) [LEDWCD075S105ST](#) [LEDWCD100S070ST](#) [LWA200-C210-ARK-B](#) [LWA150-C380-ARK](#) [LWA320-C420-ARK-B](#) [UPS110-1121-R](#) [SP120-S2](#) [IEC320-C13-UK](#) [LEDWCD075S070ST](#) [SP-350-24](#) [SP-350-48](#) [LEDWC-060S045ST](#) [LEDWCD120S035ST](#) [LWA400-V048-ERK](#) [LEDWCD100S035ST](#) [SP75-14800](#) [SP-350-12](#) [LEDWCD035S105ST](#) [LEDWCD120S105ST](#) [LEDWV-150S024ST](#) [SP-250-12-B](#) [LEDWC-060S070ST](#) [SP-M250-48-B](#) [SP-M250-12-B](#) [SP-500-48](#) [SP-500-12](#) [SP120-S5](#) [SP120-S4](#) [LEDWCD-100S105ST](#) [SP250-48-B](#) [LWA150-C140-ERK](#) [LWA240-C420-ARK](#) [LHA320-C140-ERK](#) [LHA400-C420-ERK](#) [LWA075-C280-ARK](#) [LWA240-V024-ENK](#) [UPS40-3003](#) [LWA320-C210-ERK-B](#) [LWA075-C280-ERK](#) [LEDWC-150S280ST](#) [LWA200-C210-ERK-B](#) [LWA240-V048-ENK](#) [LHA160-C140-ERK](#) [LWA240-V012-ENK](#) [LWA320-C140-ERK-B](#) [LWA240-C420-ERK](#)