

FEATURES
15W Constant Voltage LED Driver
LGU-015S Series

- Universal AC input 90~264 AC
- Operation from -20~60°C full load
- Compact Design
- UL8750, EN61347, LPS & CE Certified
- IP67 Rated
- RoHS Compliant
- 2 Year Warranty


SPECIFICATIONS

Model #	Output Voltage	Output Current Range	Ripple & Noise (2)	Efficiency (3)
LGU-015S012-125PSV	12V	0-1250mA	180mVpp	81.0%
LGU-015S024-063PSV	24V	0-630mA	240mVpp	83.0%
LGU-015S036-042PSV	36V	0-420mA	360mVpp	83.0%
LGU-015S048-030PSV	48V	0-300mA	400mVpp	84.0%

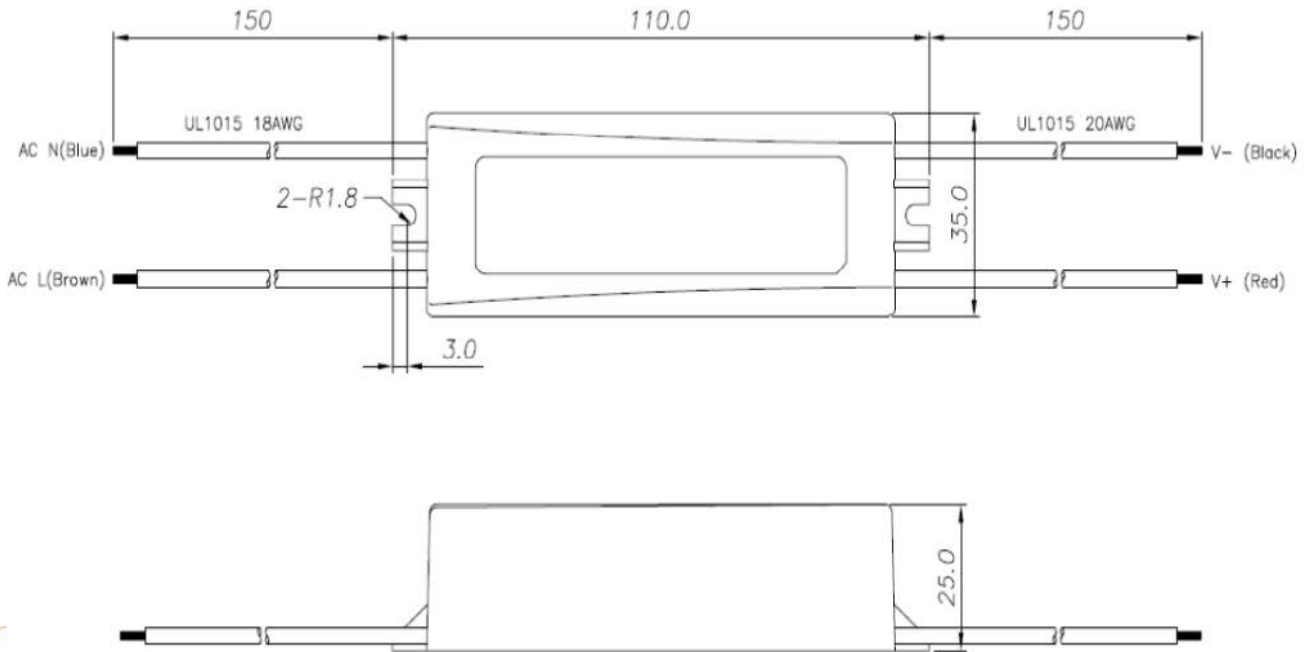
Output	Turn-on Delay Time	<500ms at full load (Max.)	
	Leakage Current	90VAC ~264VAC	
Input	Voltage Range	90VAC ~ 264VAC	
	Frequency Range	47Hz~63Hz	
	Power Factor	$\geq 0.88/120V AC, \geq 0.8/240V AC$	
	Inrush Current	11A at 115V AC / 15A at 230V AC	
	AC Current	0.25A @ 115V AC / 0.1A @ 230V AC (Typ.)	
Protections	Overload	Hiccup mode: 130% ~ 160% rated output current	
	Short Circuit	Protection type: Hiccup mode, recovers automatically after fault condition is removed	
	Over Temperature	Hiccup mode: Tc: 95°C $\pm 10^\circ C$	
Environmental	Temperature Range	Operational	-20°C~70°C (Refer to derating curve)
		Storage	-40°C ~ +80°C
	Humidity	Operational	20%~100% RH
		Storage	10%~100%RH
Safety & EMC	Safety Standards	UL/cUL 8750, UL1310, EN61347-1, EN61347-2-13,	
	EMI conduction & Radiation	Compliance to EN55015, FCC part 15 B	
	EMS Immunity	EN61000-4-2,3,4,5,6,8,11,EN61547	
Others	MTBF	200,000 hours	
	Dimensions	(L*W*H) 110*35*25mm	
	Shipping Carton	100pcs@ 14kg dimensions: 460*270*210mm	



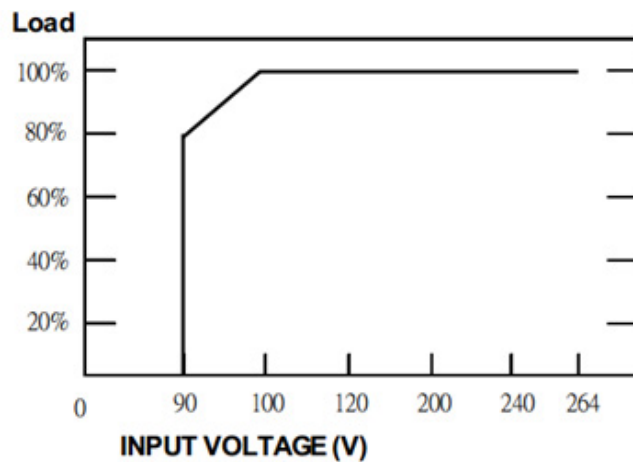
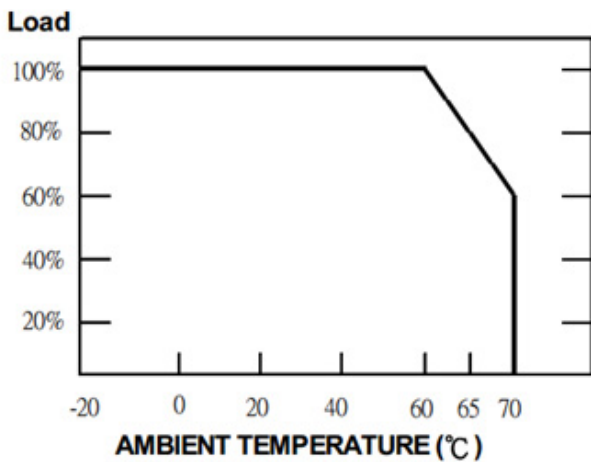
Notes

1. All parameters NOT specially mentioned are measured at 230V AC input, rated load and 25°C ambient temperature.
2. Ripple noise are measured at 20MHZ bandwidth oscilloscope and with 0.1uf & 47uf parallel capacitor.
3. Typical at 240V AC

Mechanical Specifications

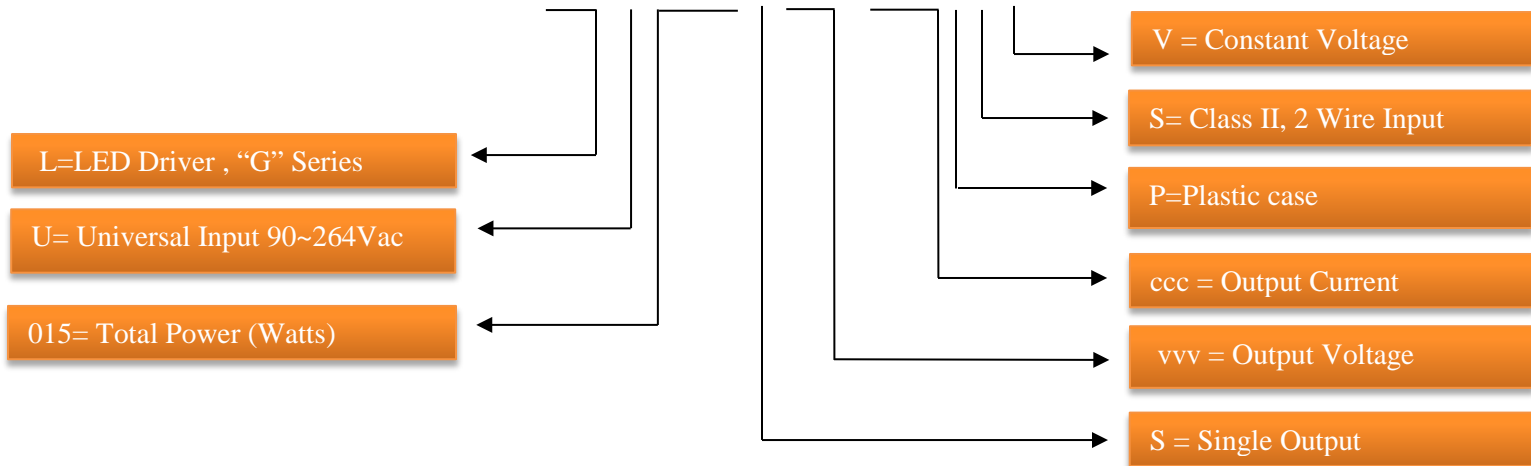


Derating Curves



PART NUMBER SCHEME

LG U-015Svvv-cccPSV



SPECIFICATIONS ARE SUBJECT TO CHANGE WITHOUT NOTICE
AUTEC IS NOT RESPONSIBLE FOR ISSUES ARISING FROM ERRORS OR OMMISIONS



X-ON Electronics

Largest Supplier of Electrical and Electronic Components

Click to view similar products for [LED Lighting Drivers](#) category:

Click to view products by [Autec Power Systems](#) manufacturer:

Other Similar products are found below :

[LV5235V-MPB-H](#) [MB39C602PNF-G-JNEFE1](#) [FAN5701UMP20X](#) [FAN5702UMP30X](#) [MIC2871YMK-T5](#) [MP1518DJ-LF-P](#) [MP3202DG-LF-P](#) [MP3304BDD-LF-P](#) [MP3306EG-LF-P](#) [MP3398AGY](#) [MP4033GK](#) [AL1676-10BS7-13](#) [AL1676-20AS7-13](#) [MX877RTR](#)
[NCL30085BDR2G](#) [ICL8201](#) [IS31BL3506B-TTLS2-TR](#) [PAM2841GR](#) [A8519KLPTR-T](#) [FAN5701UMP08X](#) [FAN5702UMP20X](#) [AL3157F-7](#)
[AL8807BQMP-13](#) [LV52204MTTBG](#) [MP2488DN-LF](#) [MP24893DQ-LF-P](#) [MP24894GJ-P](#) [MP24895GJ-P](#) [MP3308DL-LF-Z](#) [MP3393EF-LF](#)
[MP3394SGF](#) [MP3802DQ-LF-P](#) [MP4008GS](#) [MP4031GS](#) [MP4032-1GS](#) [MP4034GS](#) [MP46885DN-LF](#) [SLG7NT4082V](#) [SLG7NT4082VTR](#)
[PCA9955BTWQ900J](#) [TLD5095EL](#) [LED6001TR](#) [STP4CMPQTR](#) [BD1604MVV-E2](#) [MC10SX1130DG](#) [MAX16832CASAT](#)
[MAX16814CATP+](#) [NCL30086BDR2G](#) [NCL30088BDR2G](#) [IS31LT3350-V1SDLS2-EB3CH](#)