

FEATURES

WM24P Series

24W Wallmount Power Supply

- High Efficiency (Up to 87%)
- LPS Compliant
- Universal Input Voltage
- Level V & COC V4.0 Efficiency
- White Case Option
- Short Circuit, Over Voltage and Overload Protection
- UL/cUL60950, EN60950, LPS & CE/LVD
- RoHS Compliant



SPECIFICATION

Model		WM24P-xx-x-xx (See part number builder below)	
Output	Rated Voltage (1)	5-24V	
	Rated Power	20W(5V)-24W	
	Ripple & Noise (2)	300mVp-p	
	Current Range	0-4A (Max. 24W)	
	Total Regulation	+/- 5%	
	Overshoot/Undershoot	10%	
	Turn On Delay (Max.)	3s	
	Hold-up Time	10ms @ 115Vac/60Hz max. load & 20ms @ 230Vac/50Hz	
Input	Rated Voltage	100 ~ 240 Vac (90-264Vac Operational)	
	Frequency Range	47Hz ~ 63Hz	
	Efficiency	82% (Min.)	
	Inrush Current	50A (At 100-240Vac input 25°C Cold Start.)	
	AC Current (Typ.)	0.75 A / 100-240 VAC	
Protections	Short Circuit	Hiccup mode, no damage shall occur and the power supply shall restart when the fault condition is removed	
	Over Voltage	Latch mode, recycle AC to restart power supply	
	Overload	Hiccup mode, at 150% (Max.) rated load and the power supply shall restart when the fault condition is removed	
Environment	Temperature Range	Operational	0°C ~ 40°C
		Storage	- 20 ~ +70°C
	Humidity	Operational	20% ~90% R.H
		Storage	20% ~90% R.H
	Altitude	Operational	Will operate properly at altitudes between 0 to 10000ft
Safety & EMC	Safety Standards	UL/cUL60950, TUV60950, LVD, LPS & CE	
	No load Power Dissipation	< 0.3W	
	Insulation Resistance	Input to output: Min. 10M OHM at 500 VDC.	
	Dielectric Strength	Primary to Secondary: DC 4525 V , 5mA Max , for 3 seconds	
	Conducted & Radiated EMI	EN 55022 Class B, CISPR22 Class B and FCC part 15 Class B	
	EMS	EN 61000-4-2, EN 61000-4-3, EN 61000-4-4, EN 61000-4-5, EN 61000-4-6, EN 61000-4-8, EN 61000-4-11	

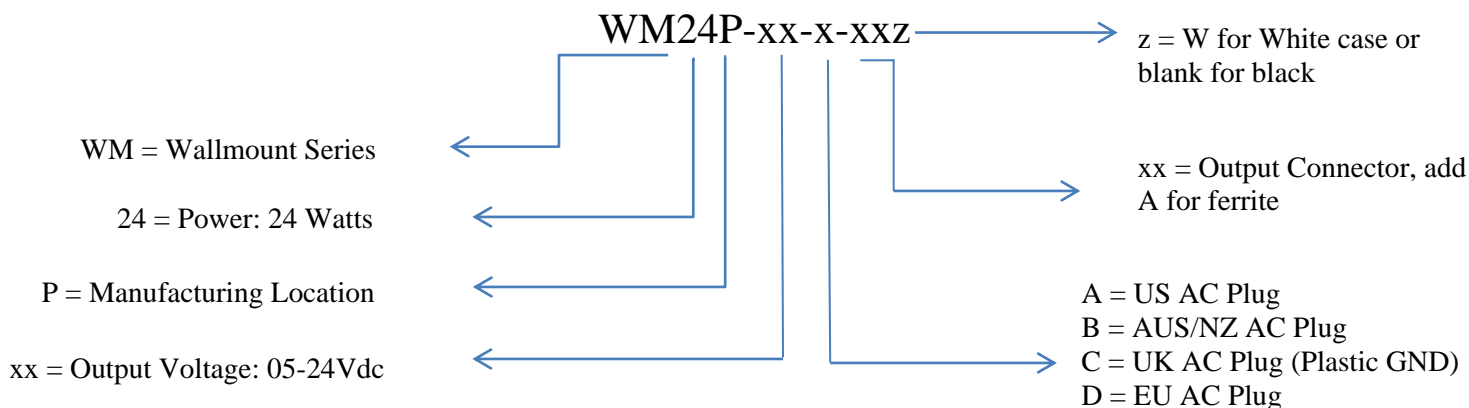


Others	MTBF	50,000 hours (Measured at 110Vac input, 100% Load and 25°C ambient temperature (MIL-HDBK-217F))
	Burn-in	2-4 Hours (Min.) at 40C (+/-5%) at full load with cycling
	Dimension (L*W*H)	77.9 × 55.6 × 33 mm (+/-0.5mm) – 3.06 × 2.18 × 1.29 inch (US Design)
	Output Cable	1800mm
	Weight	255 g
	RoHS	Complies with EU Directive 2011/65/EU
	WEEE	Complies with EU Directive 2002/96/EC
	EISA 2007	Complies with requirements for external power supplies.
	EU	Complies with EU Code of Conduct on external power supplies

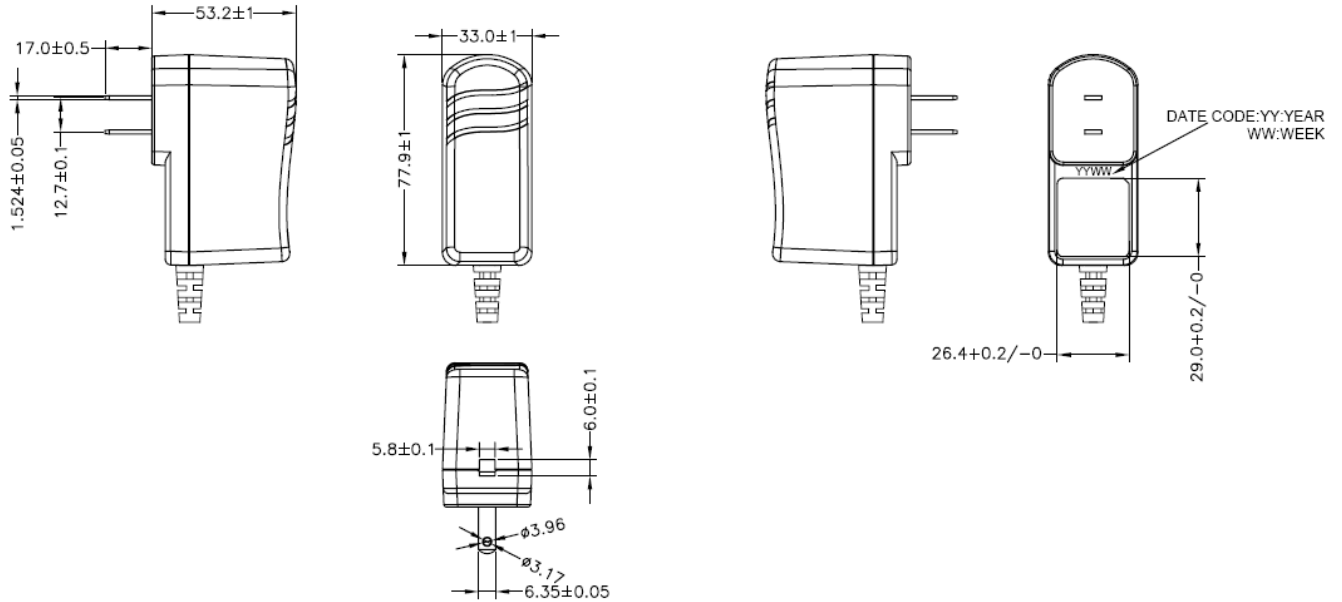
Notes

1. Output voltage tolerance +/-5%
2. Max., Measuring is done by 20MHz bandwidth oscilloscope and terminated each output with a 22uF aluminum electrolytic capacitor and a 0.1uF ceramic capacitor. Full load, 25C ambient temperature at 115Vac and 230 Vac.

PART NUMBER BUILDER



Mechanical Specification



SPECIFICATIONS ARE SUBJECT TO CHANGE WITHOUT NOTICE

AUTEC IS NOT RESPONSIBLE FOR ISSUES ARISING FROM ERRORS OR OMMISIONS



X-ON Electronics

Largest Supplier of Electrical and Electronic Components

Click to view similar products for [Desktop AC Adapters](#) category:

Click to view products by [Autec Power Systems](#) manufacturer:

Other Similar products are found below :

[YS50-1903150](#) [ADP-40KD BBBM](#) [DTA27-3X-W-5](#) [212A2136](#) [ADP485-01](#) [SWA-1202](#) [SWA-1501](#) [212A2220](#) [212A2220-02](#) [212A2220-04](#)
[FWE030015A-10A](#) [TRH100A135-02E12-Level-VI](#) [TRH100A180-11E13-Level-VI](#) [TRH100A240-01E13-Level-VI](#) [TRH100A280-01E13-](#)
[Level-VI](#) [TRH100A280-11E13-Level-VI](#) [TRH50A120-02E01-Level-VI](#) [TRH50A120-12E01-Level-VI](#) [TRH50A120-40E01-Level-VI](#)
[TRH50A150-12E12-Level-VI](#) [TRH50A180-11E03-Level-VI](#) [TRH50A240-02E03-Level-VI](#) [TRH70A120-11E01-Level-VI](#) [TRH70A150-](#)
[12E02-Level-VI](#) [TRH70A240-11E03-Level-VI](#) [416FG41017](#) [DTA27-0512FWX-W3](#) [TRH100A120-02E12-Level-VI](#) [TRH100A150-11E12-](#)
[Level-VI](#) [TRH100A180-02E13-Level-VI](#) [TRH100A240-02E13-Level-VI](#) [TRH100A240-36E13-Level-VI](#) [TRH100A280-12E13-Level-VI](#)
[TRH100A480-11E13-Level-VI](#) [TRH100A480-12E13-Level-VI](#) [TRH50A120-11E01-Level-VI](#) [TRH50A120-49E01-Level-VI](#) [TRH50A150-](#)
[11E02-Level-VI](#) [TRH50A150-12E02-Level-VI](#) [TRH70A120-01E01-Level-VI](#) [TRH70A480-02E03-Level-VI](#) [KR8-PS01](#) [1894875](#)
[FWE030012A-10A](#) [FWE050024B-10A](#) [820A4080G](#) [825A0052-03](#) [825A0057-03](#) [SWA-1704W](#) [AD5012N2LM-\(401\)](#)