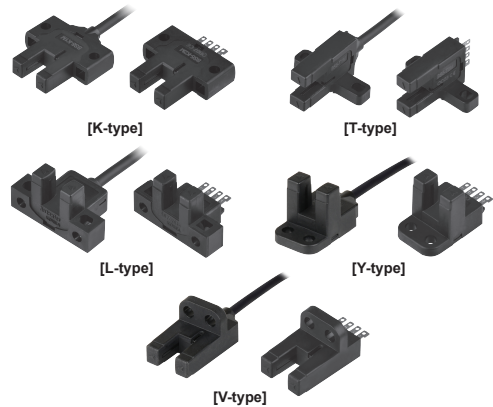


Photomicro Sensor

■ Features

- Ultra compact, Built-in amplifier, NPN/PNP open collector output
- Various selection by installation position (appearance: K, T, L, Y, V type)
- Light ON / Dark ON selectable by control terminal/cable
- High speed response frequency: 2kHz
- Wide range of power source: 5-24VDC (easy to connect with various IC, relay, programmable controller etc)
- Dust resistance structure : Protecting by window of emitter/receiver
- Red LED status indication



⚠ Please read "Safety Considerations" in the instruction manual before using. **CE**

■ Ordering Information

BS	5	-	K	2	M	-	P
Item		Sensing distance		Appearance		Connection type	
Item		Size		Control output		Control output	
		M		No mark		NPN open collector output	
				P		PNP open collector output	
		1		M		Middle	
		2					
				K		K-Type	
				T		T-Type	
				L		L-Type	
				5		Unit: mm (fixed)	
				BS		Photo electronic sensor	

■ Specifications

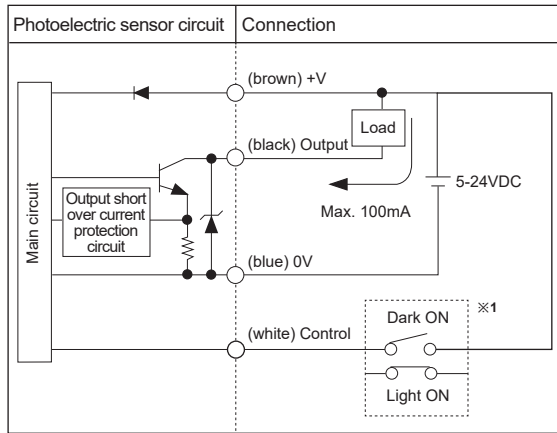
Model	NPN open collector output	BS5-K1M	BS5-T1M	BS5-L1M	BS5-Y1M	BS5-V1M	BS5-K2M	BS5-T2M	BS5-L2M	BS5-Y2M	BS5-V2M
	PNP open collector output	BS5-K1M-P	BS5-T1M-P	BS5-L1M-P	BS5-Y1M-P	BS5-V1M-P	BS5-K2M-P	BS5-T2M-P	BS5-L2M-P	BS5-Y2M-P	BS5-V2M-P
Sensing type	Through-beam (not modulated)										
Sensing distance	5mm fixed										
Sensing target	Ø0.8×2mm opaque materials										
Hysteresis	0.05mm										
Response time	Light ON: max. 20µs, dark ON: max. 100µs										
Response frequency ^{※1}	2kHz										
Power supply	5-24VDC ⁻⁻⁻ ±10% (ripple P-P: max. 10%)										
Current consumption	Max. 30mA (at 26.4VDC)										
Light source	Infrared LED (940nm)										
Operation mode	Light ON / Dark ON selectable by control cable						Light ON / Dark ON selectable by control terminal				
Control output	NPN or PNP open collector output										
Protection circuit	Reverse polarity protection circuit, output short overcurrent protection circuit										
Indicator	Operation Indicator: red LED										
Connection	Cable type						Connector type				
Insulation resistance	Over 20MΩ (at 250VDC megger)										
Noise immunity	±240V the square wave noise (pulse width: 1µs) by the noise simulator										
Dielectric strength	1,000VAC 50/60Hz for 1 minute										
Vibration	1.5mm amplitude at frequency of 10 to 55Hz in each X, Y, Z direction for 2 hours										
Shock	500m/s ² (approx. 50G) in each X, Y, Z direction for 3 times										
Environment	Ambient illumination	Fluorescent lamp: max. 1000lx (receiver illumination)									
	Ambient temperature	-20 to 55°C, storage: -25 to 85°C									
	Ambient humidity	35 to 85%RH, storage: 35 to 85%RH									
Protection structure	IP50 (IEC standard)										
Material	Polybutylene terephthalate										
Cable	Ø3mm, 4-wire, 1m (AWG28, core diameter: 0.08mm, number of cores: 19, insulator out diameter: Ø0.88mm)						—				
Approval	CE										
Weight ^{※2}	Approx. 50g (approx. 30g)										

※1: The value from revolving the circle panel which duty ratio is 1:1. ※2: The weight includes packaging. The weight in parenthesis is for unit only.
 ※The temperature or humidity mentioned in Environment indicates a non freezing or condensation environment.

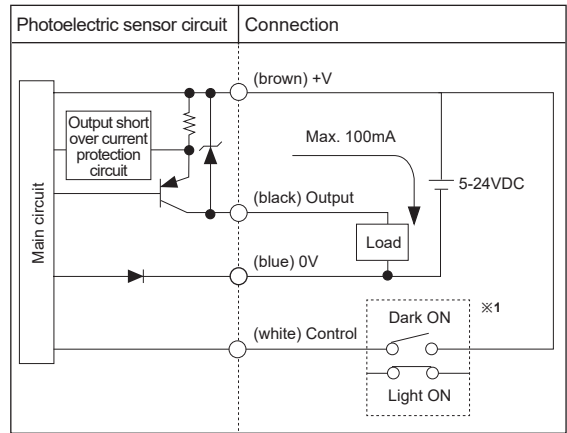
BS5 Series

Control Output Diagram

• NPN open collector output



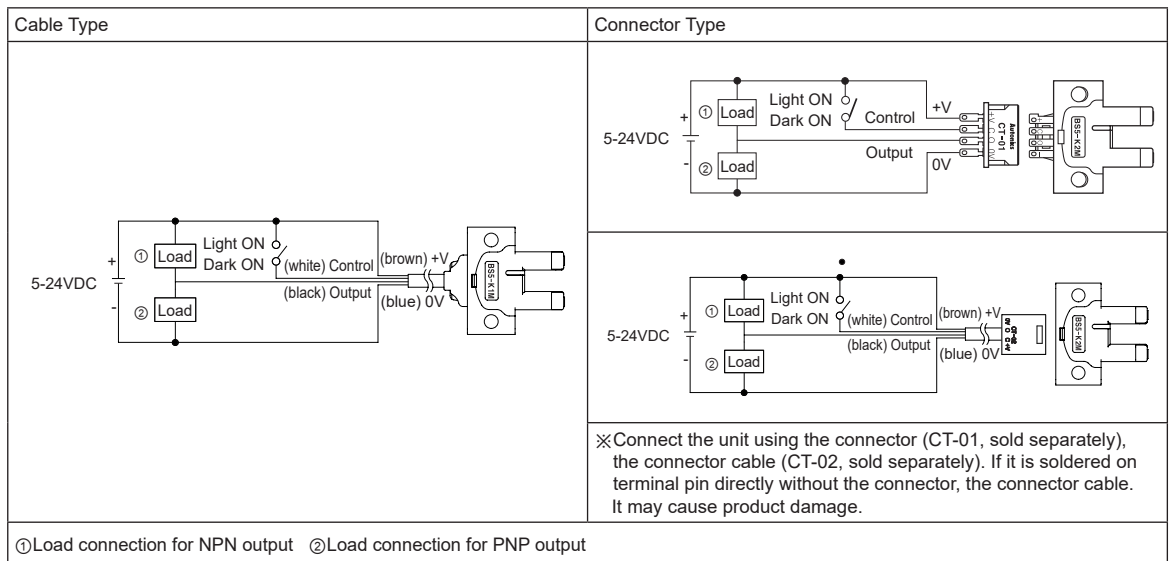
• PNP open collector output



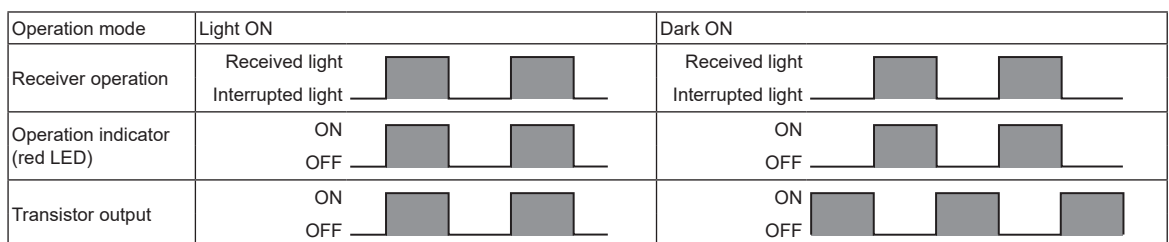
※1: Operation mode selection: Connect (white) Control (terminal) into terminal (brown) +V to operate Light ON mode. Dark ON mode is available with disconnection status.

※If short-circuit the control output terminal or supply current over the rated specification, normal control signal is not output due to the output short over current protection circuit.

Connections



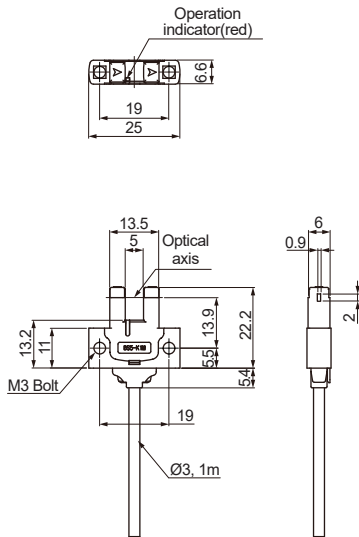
Operation Mode



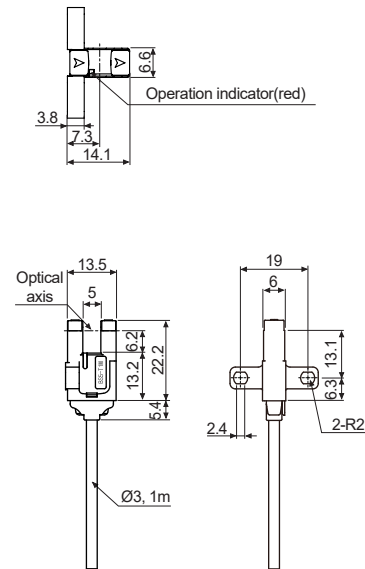
■ Dimensions

(unit: mm)

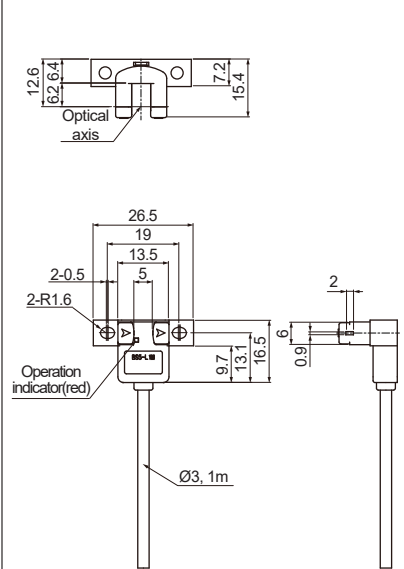
● BS5-K1M / BS5-K1M-P



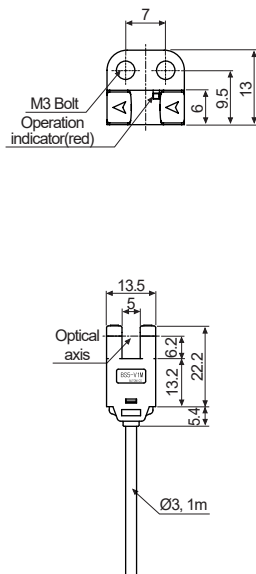
● BS5-T1M / BS5-T1M-P



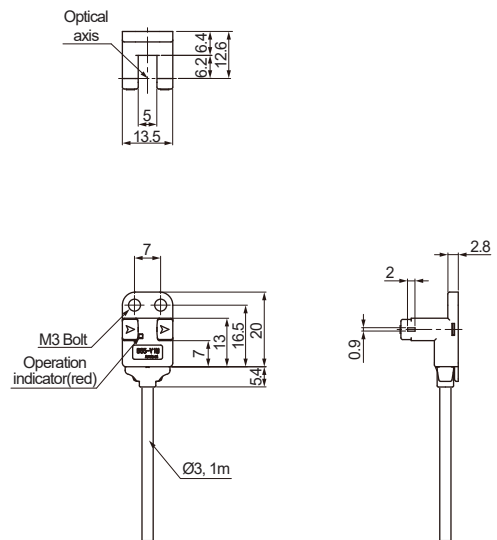
● BS5-L1M / BS5-L1M-P



● BS5-V1M / BS5-V1M-P



● BS5-Y1M / BS5-Y1M-P



SENSORS

CONTROLLERS

MOTION DEVICES

SOFTWARE

(A) Photoelectric Sensors

(B) Fiber Optic Sensors

(C) LiDAR

(D) Door/Area Sensors

(E) Vision Sensors

(F) Proximity Sensors

(G) Pressure Sensors

(H) Rotary Encoders

(I) Connectors/ Connector Cables/ Sensor Distribution Boxes/ Sockets

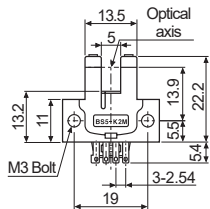
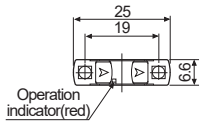
※When using photoelectric sensors closely over two units, it may result in malfunction due to mutual interference.
 ※When installing the product, tighten the screw with a tightening torque of 0.49N·m.

BS5 Series

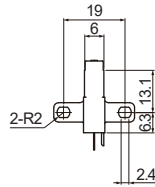
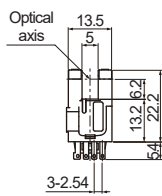
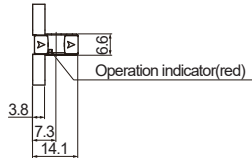
■ Dimensions

(unit: mm)

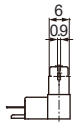
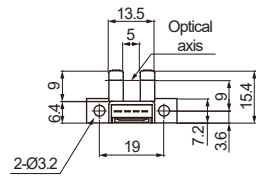
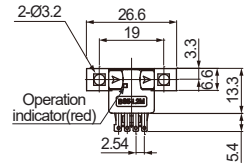
● BS5-K2M / BS5-K2M-P



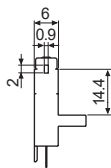
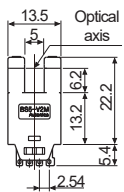
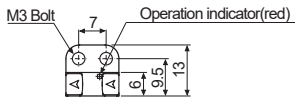
● BS5-T2M / BS5-T2M-P



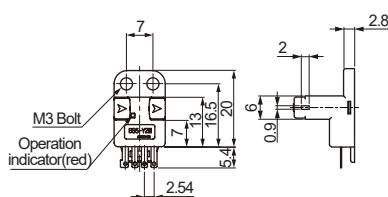
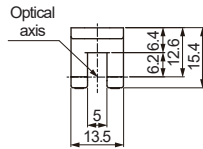
● BS5-L2M / BS5-L2M-P



● BS5-V2M / BS5-V2M-P

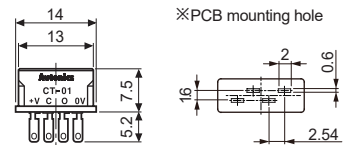
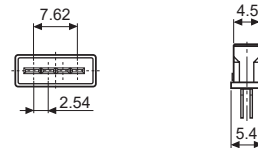


● BS5-Y2M / BS5-Y2M-P

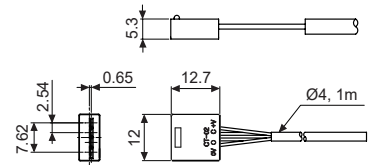


● Connector type (sold separately)

● Connector (CT-01)



● Connector (CT-02)



※ Cable: Ø4mm, 4-wire, 1m
(AWG22, Core wire diameter: 0.08mm,
No. of core wire: 60, Insulator out diameter:
Ø1.2mm)
※ Cable length is available to option.

X-ON Electronics

Largest Supplier of Electrical and Electronic Components

Click to view similar products for [Sensor Cables / Actuator Cables](#) category:

Click to view products by [Autonics](#) manufacturer:

Other Similar products are found below :

[60963](#) [60964](#) [703000D02F2002](#) [703000D02F300](#) [703001D02F1201](#) [703001D02F300](#) [704000D02F120](#) [773032K02F030](#) [802027213811-1](#)
[804001A09M150](#) [84914-0235](#) [84914-0237](#) [884031A09M005](#) [885030A09M010](#) [8R4006A18M010](#) [8R4J30E03C3003](#) [1200650503](#)
[1200651713](#) [1200680071](#) [1200720081](#) [1200720537](#) [1200870123](#) [1200650218](#) [1200661295](#) [1200661297](#) [1200661342](#) [1200670080](#)
[1200680331](#) [1200720139](#) [1200720255](#) [1200720597](#) [1200730184](#) [1200870359](#) [1200980008](#) [1200980031](#) [1210401265](#) [1211810021](#)
[1300060465](#) [1300060544](#) [1300060784](#) [1300061169](#) [1300061497](#) [1300101010](#) [1300101015](#) [1300130536](#) [1300270039](#) [1300280144](#)
[1300060347](#) [1300060350](#) [1300060550](#)