

# TK Series High Performance, General-Purpose, PID Control

## High Performance, General-Purpose, PID Control Temperature Controller

### ■ Features

- 50ms high-speed sampling rate and  $\pm 0.3\%$  display accuracy
- Simultaneous heating and cooling control function
- Automatic/manual control option
- Switch between current output and SSR drive output
- SSR drive output (SSRP function) control options: ON/OFF control, cycle control, phase control
- Communication output models available: RS485 (Modbus RTU)
- Parameter configuration via PC (RS485 communication)
  - DAQMaster software included (comprehensive device management software)
  - Communication converter sold separately
    - : SCM-WF48 (Wi-Fi to RS485-USB wireless communication converter),
    - SCM-US48I (USB to RS485 converter), SCM-38I (RS232C to RS485 converter),
    - SCM-US (USB to serial converter)
- User-friendly parameter features (via DAQMaster)
- SV preset function (up to 4 set values) using digital input terminals
- Heater disconnect alarm function (CT input)
  - Current transformer (CT) sold separately: CSTC-E80LN, CSTC-E200LN, CSTS-E80PP
- Various input types and temperature ranges



**⚠ Please read "Safety Considerations" in operation manual before using.**



### ■ Manual

- For the detail information and instructions, please refer to user manual and user manual for communication, and be sure to follow cautions written in the technical descriptions (catalog, homepage). Visit our homepage ([www.autonics.com](http://www.autonics.com)) to download manuals.
- User manual describes for specifications and function, and communication manual describes for RS485 communication (Modbus RTU protocol) and parameter address map data.

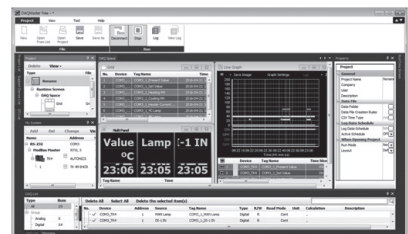
### ■ Comprehensive Device Management Program (DAQMaster)

- DAQMaster is comprehensive device management program. It is available for parameter setting, monitoring, and user parameter group setting, parameter mask setting for only TK4 Series.
- Visit our website ([www.autonics.com](http://www.autonics.com)) to download user manual and comprehensive device management program.

< Computer specification for using software >

Item	Minimum requirements
System	IBM PC compatible computer with Intel Pentium III or above
Operating system	Microsoft Windows 98/NT/XP/Vista/7/8/10
Memory	256MB or more
Hard disk	More than 1GB of free hard disk space
VGA	1024×768 or higher resolution display
Others	RS-232 serial port (9-pin), USB port

< DAQMaster screen >



(A) Photoelectric Sensors

(B) Fiber Optic Sensors

(C) Door/Area Sensors

(D) Proximity Sensors

(E) Pressure Sensors

(F) Rotary Encoders

(G) Connectors/ Connector Cables/ Sensor Distribution Boxes/Sockets

(H) Temperature Controllers

(I) SSRs / Power Controllers

(J) Counters

(K) Timers

(L) Panel Meters

(M) Tacho / Speed / Pulse Meters

(N) Display Units

(O) Sensor Controllers

(P) Switching Mode Power Supplies

(Q) Stepper Motors & Drivers & Controllers

(R) Graphic/ Logic Panels

(S) Field Network Devices

(T) Software

# TK Series



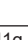

## Ordering Information

TK	4	S	1	4	R	R																																																																																											
							OUT 2 control output <sup>※9</sup>	<table border="1"> <tr> <td>Standard</td> <td>N</td> <td>None ※Select in case of standard control (Heating or Cooling)</td> </tr> <tr> <td>Heating &amp; Cooling<sup>※10</sup></td> <td>R</td> <td>Relay output</td> </tr> <tr> <td></td> <td>C</td> <td>Current output or SSR drive output selectable</td> </tr> </table>	Standard	N	None ※Select in case of standard control (Heating or Cooling)	Heating & Cooling <sup>※10</sup>	R	Relay output		C	Current output or SSR drive output selectable																																																																																
Standard	N	None ※Select in case of standard control (Heating or Cooling)																																																																																															
Heating & Cooling <sup>※10</sup>	R	Relay output																																																																																															
	C	Current output or SSR drive output selectable																																																																																															
							OUT 1 control output <sup>※7</sup>	<table border="1"> <tr> <td>R</td> <td colspan="2">Relay output</td> </tr> <tr> <td>S<sup>※8</sup></td> <td colspan="2">SSR drive output (standard ON/OFF control, phase control, cycle control)</td> </tr> <tr> <td>C</td> <td colspan="2">Current output or SSR drive output selectable</td> </tr> </table>	R	Relay output		S <sup>※8</sup>	SSR drive output (standard ON/OFF control, phase control, cycle control)		C	Current output or SSR drive output selectable																																																																																	
R	Relay output																																																																																																
S <sup>※8</sup>	SSR drive output (standard ON/OFF control, phase control, cycle control)																																																																																																
C	Current output or SSR drive output selectable																																																																																																
							Power supply	<table border="1"> <tr> <td>2<sup>※6</sup></td> <td colspan="2">24VAC 50/60Hz, 24-48VDC</td> </tr> <tr> <td>4</td> <td colspan="2">100-240VAC 50/60Hz</td> </tr> </table>	2 <sup>※6</sup>	24VAC 50/60Hz, 24-48VDC		4	100-240VAC 50/60Hz																																																																																				
2 <sup>※6</sup>	24VAC 50/60Hz, 24-48VDC																																																																																																
4	100-240VAC 50/60Hz																																																																																																
							Option input/output <sup>※2</sup>	<table border="1"> <tr> <td rowspan="12">N</td> <td rowspan="2">1</td> <td>Standard</td> <td>Alarm output 1+CT input<sup>※3</sup></td> </tr> <tr> <td>Heating&amp;Cooling</td> <td>Alarm output 2<sup>※4</sup></td> </tr> <tr> <td rowspan="2">2</td> <td>Standard</td> <td>Alarm output 1+Alarm output 2</td> </tr> <tr> <td>Heating&amp;Cooling</td> <td>Alarm output 1+Digital input (DI-1, DI-2)</td> </tr> <tr> <td rowspan="2">D</td> <td>Standard</td> <td>Alarm output 1+Digital input (DI-1, DI-2)</td> </tr> <tr> <td>Heating&amp;Cooling</td> <td>Digital input (DI-1, DI-2)</td> </tr> <tr> <td rowspan="2">R</td> <td>Standard</td> <td>Alarm output 1+Transmission output</td> </tr> <tr> <td>Heating&amp;Cooling</td> <td>Transmission output</td> </tr> <tr> <td rowspan="2">T</td> <td>Standard</td> <td>Alarm output 1+RS485 communication output</td> </tr> <tr> <td>Heating&amp;Cooling</td> <td>RS485 communication output</td> </tr> <tr> <td>SP</td> <td>1</td> <td colspan="2">Alarm output 1</td> </tr> <tr> <td rowspan="7">S M W H L</td> <td>1</td> <td colspan="2">Alarm output 1</td> </tr> <tr> <td>2</td> <td colspan="2">Alarm output 1+Alarm output 2</td> </tr> <tr> <td>R</td> <td colspan="2">Alarm output 1+Transmission output</td> </tr> <tr> <td>T</td> <td colspan="2">Alarm output 1+RS485 communication output</td> </tr> <tr> <td>A</td> <td colspan="2">Alarm output 1+Alarm output 2+Transmission output</td> </tr> <tr> <td>B</td> <td colspan="2">Alarm output 1+Alarm output 2+RS485 communication output</td> </tr> <tr> <td>D</td> <td colspan="2">Alarm output 1+Alarm output 2+Digital input (DI-1, DI-2)<sup>※5</sup></td> </tr> <tr> <td>N</td> <td colspan="3">DIN W48×H24mm</td> </tr> <tr> <td>SP</td> <td colspan="3">DIN W48×H48mm (11-pin plug type)<sup>※1</sup></td> </tr> <tr> <td>S</td> <td colspan="3">DIN W48×H48mm (Terminal block type)</td> </tr> <tr> <td>M</td> <td colspan="3">DIN W72×H72mm</td> </tr> <tr> <td>W</td> <td colspan="3">DIN W96×H48mm</td> </tr> <tr> <td>H</td> <td colspan="3">DIN W48×H96mm</td> </tr> <tr> <td>L</td> <td colspan="3">DIN W96×H96mm</td> </tr> <tr> <td></td> <td>4</td> <td colspan="2">9999 (4-digit)</td> </tr> <tr> <td>Item</td> <td>TK</td> <td colspan="3">Temperature/Process Controller</td> </tr> </table>	N	1	Standard	Alarm output 1+CT input <sup>※3</sup>	Heating&Cooling	Alarm output 2 <sup>※4</sup>	2	Standard	Alarm output 1+Alarm output 2	Heating&Cooling	Alarm output 1+Digital input (DI-1, DI-2)	D	Standard	Alarm output 1+Digital input (DI-1, DI-2)	Heating&Cooling	Digital input (DI-1, DI-2)	R	Standard	Alarm output 1+Transmission output	Heating&Cooling	Transmission output	T	Standard	Alarm output 1+RS485 communication output	Heating&Cooling	RS485 communication output	SP	1	Alarm output 1		S M W H L	1	Alarm output 1		2	Alarm output 1+Alarm output 2		R	Alarm output 1+Transmission output		T	Alarm output 1+RS485 communication output		A	Alarm output 1+Alarm output 2+Transmission output		B	Alarm output 1+Alarm output 2+RS485 communication output		D	Alarm output 1+Alarm output 2+Digital input (DI-1, DI-2) <sup>※5</sup>		N	DIN W48×H24mm			SP	DIN W48×H48mm (11-pin plug type) <sup>※1</sup>			S	DIN W48×H48mm (Terminal block type)			M	DIN W72×H72mm			W	DIN W96×H48mm			H	DIN W48×H96mm			L	DIN W96×H96mm				4	9999 (4-digit)		Item	TK	Temperature/Process Controller		
N	1	Standard	Alarm output 1+CT input <sup>※3</sup>																																																																																														
		Heating&Cooling	Alarm output 2 <sup>※4</sup>																																																																																														
	2	Standard	Alarm output 1+Alarm output 2																																																																																														
		Heating&Cooling	Alarm output 1+Digital input (DI-1, DI-2)																																																																																														
	D	Standard	Alarm output 1+Digital input (DI-1, DI-2)																																																																																														
		Heating&Cooling	Digital input (DI-1, DI-2)																																																																																														
	R	Standard	Alarm output 1+Transmission output																																																																																														
		Heating&Cooling	Transmission output																																																																																														
	T	Standard	Alarm output 1+RS485 communication output																																																																																														
		Heating&Cooling	RS485 communication output																																																																																														
	SP	1	Alarm output 1																																																																																														
	S M W H L	1	Alarm output 1																																																																																														
2		Alarm output 1+Alarm output 2																																																																																															
R		Alarm output 1+Transmission output																																																																																															
T		Alarm output 1+RS485 communication output																																																																																															
A		Alarm output 1+Alarm output 2+Transmission output																																																																																															
B		Alarm output 1+Alarm output 2+RS485 communication output																																																																																															
D		Alarm output 1+Alarm output 2+Digital input (DI-1, DI-2) <sup>※5</sup>																																																																																															
N	DIN W48×H24mm																																																																																																
SP	DIN W48×H48mm (11-pin plug type) <sup>※1</sup>																																																																																																
S	DIN W48×H48mm (Terminal block type)																																																																																																
M	DIN W72×H72mm																																																																																																
W	DIN W96×H48mm																																																																																																
H	DIN W48×H96mm																																																																																																
L	DIN W96×H96mm																																																																																																
	4	9999 (4-digit)																																																																																															
Item	TK	Temperature/Process Controller																																																																																															

- ※1. 11Pin socket(PG-11, PS-11(N)): Sold separately
- ※2. In case of TK4N/TK4SP Series, option control output selection and digital input will be limited due to number of terminals.
- ※3. The CT input model of TK4N is selectable only for standard model which has alarm 1.
- ※4. The Heating & Cooling model of TK4N-1□□□ has only alarm output 2.
- ※5. Only for TK4S-D□□□, OUT2 output terminal is used as DI-2 input terminal.
- ※6. Does not support in TK4N.
- ※7. "S" represents SSR drive output support models which SSRP function (standard ON/OFF, cycle, phase)control are available. "C" represents selectable current and SSR drive output support models.
- ※8. Does not support in AC/DC voltage type model.
- ※9. Select "R" or "C" type in case of using heating & cooling control. "N" type in case of using standard control.
- ※10. In case of Relay OUT2 model, alarm output 3 is available only when control output operation mode [o - F t] is set heating [H E R t] or cooling [c o o l]. In case of current output, trans. output 2 is available only when control output operation mode [o - F t] is set heating [H E R t] or cooling [c o o l].

# High Performance, General-Purpose, PID Control

## Specifications

Series		TK4N	TK4SP	TK4S	TK4M	TK4W	TK4H	TK4L
Power supply	AC voltage	100-240VAC~ 50/60Hz						
	AC/DC voltage	—	24VAC~ 50/60Hz, 24-48VDC=					
Allowable voltage range		90 to 110% of rated voltage						
Power consumption	AC voltage	Max. 6VA	Max. 8VA					
	AC/DC voltage	—	Max. 8VA (24VAC 50/60Hz), max. 5W (24-48VDC)					
Display method		7-segment (PV: red, SV: green), other display part (green, yellow, red) LED method						
Character size	PV (W×H)	4.5×7.2mm	7.0×14.0mm	9.5×20.0mm	8.5×17.0mm	7.0×14.6mm	7.0×14.6mm	11.0×22.0mm
	SV (W×H)	3.5×5.8mm	5.0×10.0mm	7.5×15.0mm	6.0×12.0mm	6.0×12.0mm	6.0×12.0mm	7.0×14.0mm
Input type	RTD	JPt100Q, DPt100Q, DPt50Ω, Cu100Q, Cu50Q, Nickel 120Q (6 types)						
	Thermocouple	K(CA), J(IC), E(CR), T(CC), B(PR), R(PR), S(PR), N(NN), C(TT), G(TT), L(IC), U(CC), Platinel II (13 types)						
	Analog	• Voltage: 0-100mVDC=, 0-5VDC=, 1-5VDC=, 0-10VDC= (4 types) • Current: 0-20mA, 4-20mA (2 types)						
Display accuracy	RTD	• At room temperature (23°C±5°C): (PV ±0.3% or ±1°C, select the higher one) ±1-digit <sup>※1</sup> • Out of room temperature range: (PV ±0.5% or ±2°C, select the higher one) ±1-digit ※In case of TK4SP Series, ±1°C will be added.						
	Thermocouple	• At room temperature (23°C±5°C): ±0.3% F.S. ±1-digit • Out of range of room temperature: ±0.5% F.S. ±1-digit						
	Analog	• At room temperature (23°C±5°C): ±0.3% F.S. ±1-digit • Out of range of room temperature: ±0.5% F.S. ±1-digit						
	CT input	±5% F.S. ±1-digit						
Control output	Relay	OUT1, OUT2: 250VAC~ 3A, 30VDC= 3A, 1a						
	SSR	11VDC= ±2V 20mA Max.						
	Current	DC4-20mA or DC0-20mA selectable (load 500Ω max.)						
Alarm output	Relay	AL1, AL2: 250VAC~ 3A 1a ※TK4N AL2: 250VAC~ 0.5A 1a (max.125VA), TK4SP has only AL1.						
	Communication	RS485 communication output (Modbus RTU)						
Option output	Transmission	DC4-20mA (load 500Ω max., accuracy: ±0.3% F.S.)						
	Communication	RS485 communication output (Modbus RTU)						
Option input	CT input	0.0-50.0A (primary heater current value measuring range) ※CT ratio = 1/1000 (except TK4SP)						
	Digital input	• Contact Input: ON - max. 2kΩ, OFF - min. 90kΩ • Non-contact Input: ON - residual voltage max. 1.0VDC=, OFF - leakage current max. 0.1mA • Outflow current: approx. 0.5mA ※TK4S/M: 1 (TK4S-D□□□: 2, TK4SP: none), TK4N/H/W/L: 2						
Control type	Heating, cooling Heating&cooling	ON/OFF, P, PI, PD, PID control						
Hysteresis		• RTD/Thermocouples: 1 to 100°C/°F (0.1 to 100.0°C/°F) variable • Analog: 1 to 100-digit						
Proportional band (P)		0.1 to 999.9°C/°F (0.1 to 999.9%)						
Integral time (I)		0 to 9999 sec						
Derivative time (D)		0 to 9999 sec						
Control period (T)		• Relay output, SSR drive output: 0.1 to 120.0 sec • Current output or SSR drive output selectable: 1.0 to 120.0 sec						
Manual reset value		0.0 to 100.0%						
Sampling period		50ms						
Dielectric strength		2,000VAC 50/60Hz for 1 min (between power source terminal and input terminal)						
Vibration		0.75mm amplitude at frequency of 5 to 55Hz (for 1 min) in each X, Y, Z direction for 2 hours						
Relay life cycle	Mechanical	• OUT1/2: min. 5,000,000 times • AL1/2: min. 20,000,000 times (TK4H/W/L: min. 5,000,000 times)						
	Electrical	OUT1/OUT2, AL1/AL2: min. 100,000 operations						
Insulation resistance		Over 100MΩ (at 500VDC megger)						
Noise immunity		±2kV R-phase, S-phase the square wave noise (pulse width: 1μs) by the noise simulator						
Memory retention		Approx. 10 years (when using non-volatile semiconductor memory type)						
Environment	Ambient temperature	-10 to 50°C, storage: -20 to 60°C						
	Ambient humidity	35 to 85%RH, storage: 35 to 85%RH						
Protection structure		IP65 (front panel) ※TK4SP: IP50 (front panel)						
Insulation type		Double insulation or reinforced insulation (mark: □, dielectric strength between the measuring input part and the power part: 2kV)						
Approval		CE                                						
Weight <sup>※2</sup>	Approx. 140g	Approx. 130g	Approx. 150g	Approx. 210g	Approx. 211g	Approx. 211g	Approx. 294g	Approx. 294g
	(approx. 70g)	(approx. 85g)	(approx. 105g)	(approx. 140g)	(approx. 141g)	(approx. 141g)	(approx. 198g)	(approx. 198g)

※1: ◎ At room temperature (23°C±5°C)

- Thermocouple K, J, T, N, E type, below -100°C/Thermocouple L, U, PLII type, RTD Cu50Q, DPt50Q : (PV ±0.3% or ±2°C, select the higher one) ±1-digit
- Thermocouple C, G, R, S type, below 200°C: (PV ±0.3% or ±3°C, select the higher one) ±1-digit
- Thermocouple B type, below 400°C: there is no accuracy standards.

◎ Out of room temperature range

- RTD Cu50Q, DPt50Q: (PV ±0.5% or ±3°C, select the higher one) ±1-digit
- Thermocouple R, S, B, C, G type: (PV ±0.5% or ±5°C, select the higher one) ±1-digit
- Others, Below -100°C: within ±5°C

In case of TK4SP Series, ±1°C will be added to the degree standard.

※2: The weight includes packaging. The weight in parenthesis is for unit only.

※Environment resistance is rated at no freezing or condensation.

(A) Photoelectric Sensors

(B) Fiber Optic Sensors

(C) Door/Area Sensors

(D) Proximity Sensors

(E) Pressure Sensors

(F) Rotary Encoders

(G) Connectors/ Connector Cables/ Sensor Distribution Boxes/Sockets

(H) Temperature Controllers

(I) SSRs / Power Controllers

(J) Counters

(K) Timers

(L) Panel Meters

(M) Tacho / Speed / Pulse Meters

(N) Display Units

(O) Sensor Controllers

(P) Switching Mode Power Supplies

(Q) Stepper Motors & Drivers & Controllers

(R) Graphic/ Logic Panels



(S) Field Network Devices

(T) Software

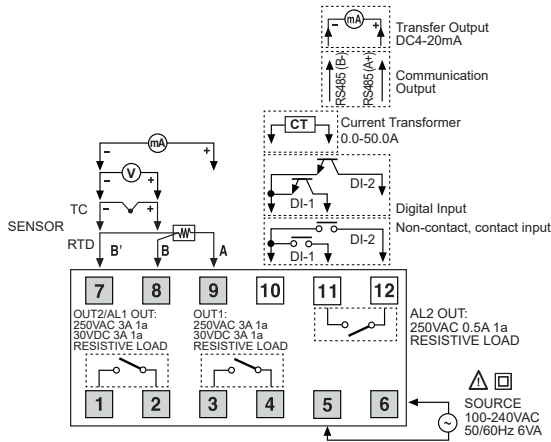
# TK Series

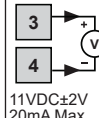
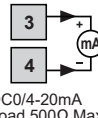
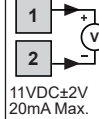
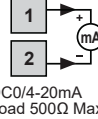
## ■ Connections

- ※Please check the polarity when connecting temperature sensor or analog input.
- ※Standard model has shaded terminals only.
- ※Operation mode of heating&cooling OUT 2 relay output model is heating or cooling, OUT 2 is available as alarm output 3. (except TK4N Series).
- ※Operation mode of heating&cooling OUT 2 current output model is heating or cooling, OUT 2 is available as transmission output 2.
- ※Use terminals of size specified below.

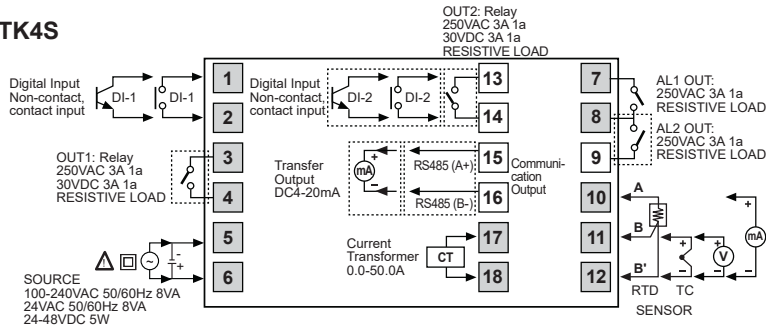
	a	b
	Min. 3.0mm	Max. 5.8mm
	Min. 3.0mm	Max. 5.8mm

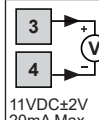
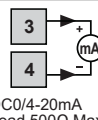
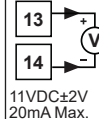
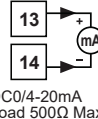
### ● TK4N



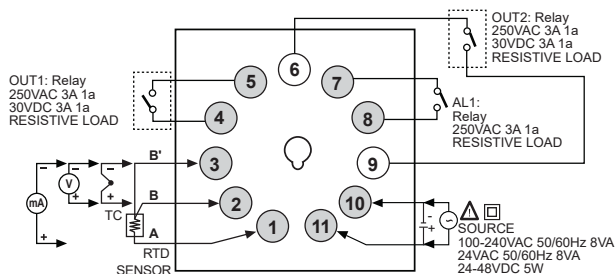
	SSR	Current
OUT1		
	11VDC±2V 20mA Max.	DC0/4-20mA Load 500Ω Max.
OUT2		
	11VDC±2V 20mA Max.	DC0/4-20mA Load 500Ω Max.

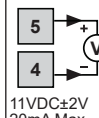

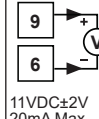
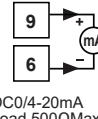
### ● TK4S



	SSR	Current
OUT1		
	11VDC±2V 20mA Max.	DC0/4-20mA Load 500Ω Max.
OUT2		
	11VDC±2V 20mA Max.	DC0/4-20mA Load 500Ω Max.

### ● TK4SP

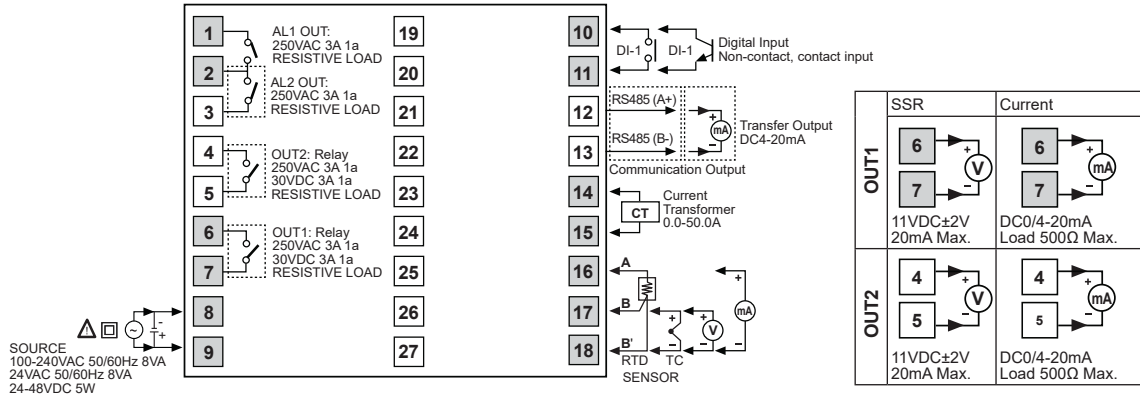


	SSR	Current
OUT1		
	11VDC±2V 20mA Max.	DC0/4-20mA Load 500Ω Max.
OUT2		
	11VDC±2V 20mA Max.	DC0/4-20mA Load 500Ω Max.

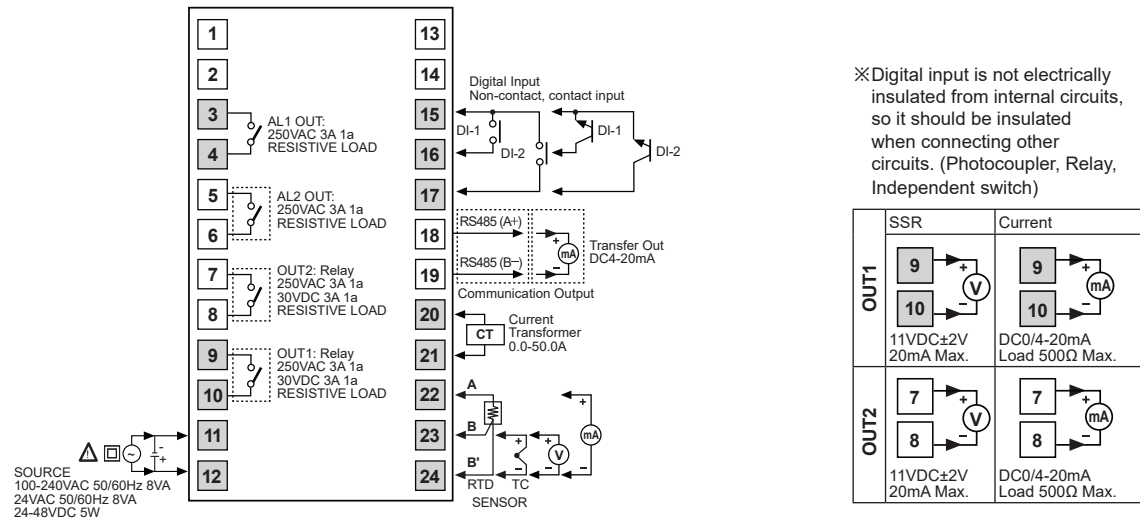
# High Performance, General-Purpose, PID Control

## ■ Connections

### ● TK4M

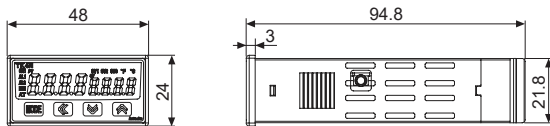


### ● TK4H/TK4W/TK4L

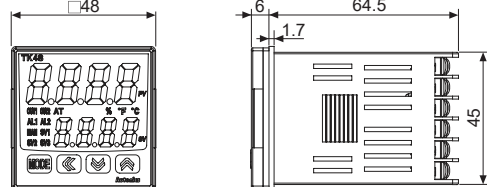


## ■ Dimensions

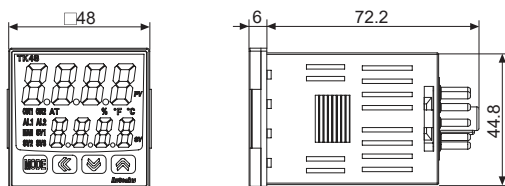
### ● TK4N Series



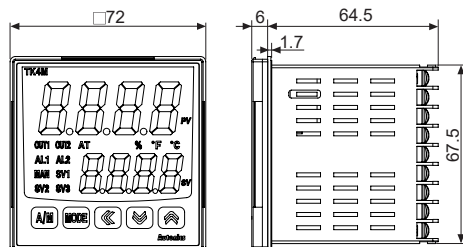
### ● TK4S Series



### ● TK4SP Series



### ● TK4M Series



(A) Photoelectric Sensors

(B) Fiber Optic Sensors

(C) Door/Area Sensors

(D) Proximity Sensors

(E) Pressure Sensors

(F) Rotary Encoders

(G) Connectors/ Connector Cables/ Sensor Distribution Boxes/Sockets

(H) Temperature Controllers

(I) SSRs / Power Controllers

(J) Counters

(K) Timers

(L) Panel Meters

(M) Tacho / Speed / Pulse Meters

(N) Display Units

(O) Sensor Controllers

(P) Switching Mode Power Supplies

(Q) Stepper Motors & Drivers & Controllers

(R) Graphic/ Logic Panels

(S) Field Network Devices

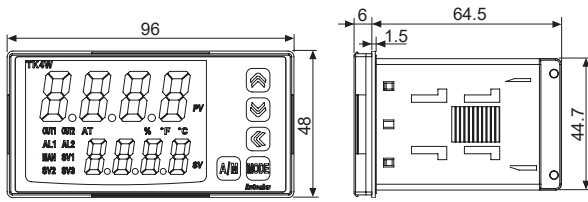
(T) Software

# TK Series

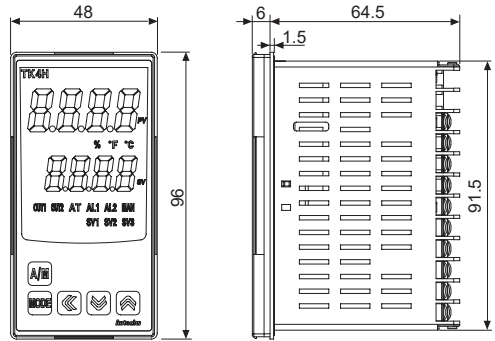
## ■ Dimensions

(unit: mm)

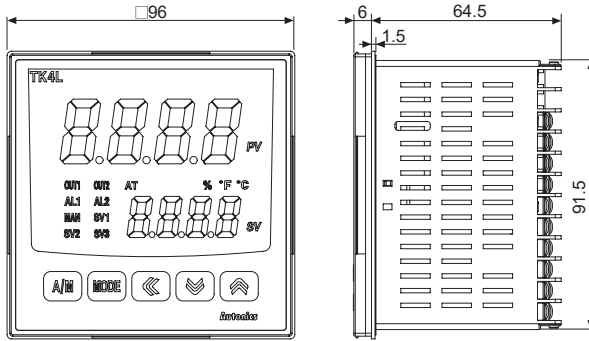
### ● TK4W Series



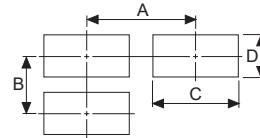
### ● TK4H Series



### ● TK4L Series



### ● Panel cut-out

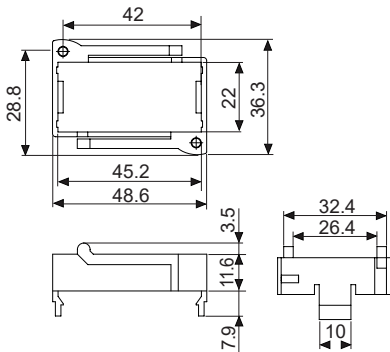


(unit: mm)

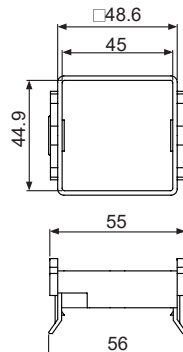
Model	Size	A	B	C	D
TK4N		Min. 55	Min. 37	45 <sup>+0.6</sup> <sub>0</sub>	22.2 <sup>+0.3</sup> <sub>0</sub>
TK4S		Min. 65	Min. 65	45 <sup>+0.6</sup> <sub>0</sub>	45 <sup>+0.6</sup> <sub>0</sub>
TK4SP		Min. 65	Min. 65	45 <sup>+0.6</sup> <sub>0</sub>	45 <sup>+0.6</sup> <sub>0</sub>
TK4M		Min. 90	Min. 90	68 <sup>+0.7</sup> <sub>0</sub>	68 <sup>+0.7</sup> <sub>0</sub>
TK4H		Min. 65	Min. 115	45 <sup>+0.6</sup> <sub>0</sub>	92 <sup>+0.8</sup> <sub>0</sub>
TK4W		Min. 115	Min. 65	92 <sup>+0.8</sup> <sub>0</sub>	45 <sup>+0.6</sup> <sub>0</sub>
TK4L		Min. 115	Min. 115	92 <sup>+0.8</sup> <sub>0</sub>	92 <sup>+0.8</sup> <sub>0</sub>

### ● Bracket

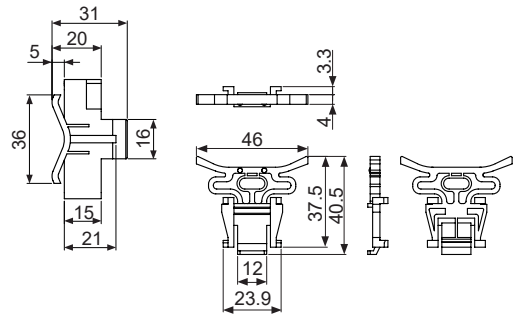
#### ● TK4N Series



#### ● TK4S, TK4SP Series

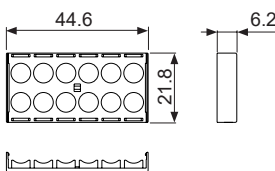


#### ● TK4M/W/H/L Series



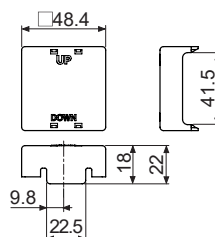
### ● Terminal cover (sold separately)

#### ● TK4N Cover (48×24mm)

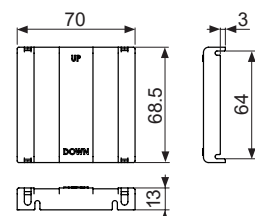


※TK4N COVER is accessory.

#### ● RSA Cover (48×48mm)



#### ● RMA Cover (72×72mm)



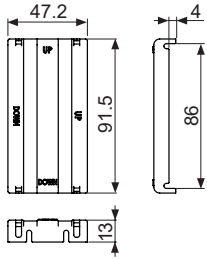
# High Performance, General-Purpose, PID Control

## Dimensions

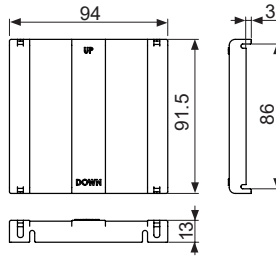
### Terminal cover (sold separately)

(unit: mm)

#### •RHA Cover (48×96mm, 96×48mm)

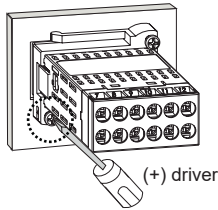


#### •RLA Cover (96×96mm)



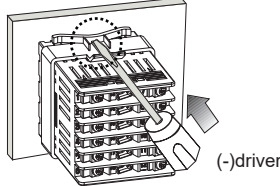
## Product Mounting

### •TK4N (48×24mm) Series



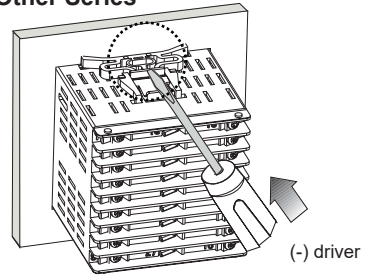
※Insert the unit into a panel, fasten the bolt with a (+) driver.

### •TK4S/SP (48×48mm) Series

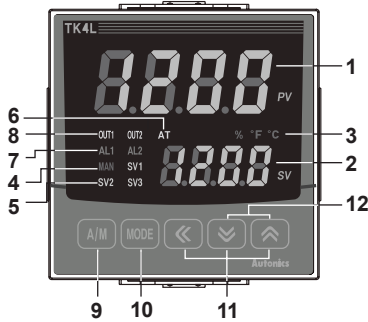


※Insert the unit into a panel, fasten the bracket by pushing with tools with a (-) driver.

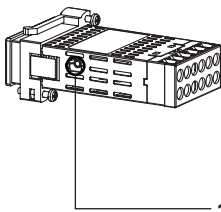
### •Other Series



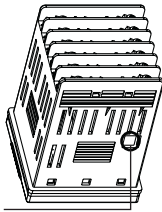
## Unit Description



TK4N Series

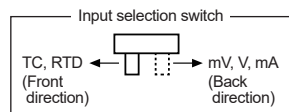
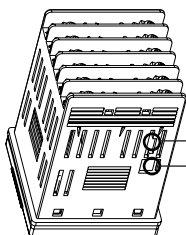


Other Series



※The input selection switch (TC, RTD/mV, V, mA) switch disappears. Select input type [ n - t ] in parameter 3 group.

### The previous model



### 1. Measured value (PV) display part:

- RUN mode: It displays currently measured value (PV).
- Setting mode: It displays the parameter.

### 2. Set value (SV) display part:

- RUN mode: It displays the set value (SV).
- Setting mode: It displays the set value of the parameter.

### 3. Unit (°C/°F/%) indicator: It displays the unit set at display unit [U n t] in parameter 3 group. (In case of TK4N, % is not supported)

### 4. Manual control indicator: It turns ON during manual controlling.

### 5. Multi SV indicator: One of SV1 to 3 indicators will be ON in case of selecting multi SV function.

### 6. Auto tuning indicator: It flashes by 1 sec when executing auto tuning.

### 7. Alarm output (AL 1, AL 2) indicator: It turns ON when the alarm output is ON.

### 8. Control output (OUT 1, OUT 2) indicator: It turns ON when the control output is ON.

※During cycle/phase controlling in SSRP function model (TK4□□4S□□) when MV is over 5.0%, it turns ON.

※To use current output, when MV is 0.0% in manual control, it turns OFF. Otherwise, it always turns ON. When MV is over 3.0% in auto control, it turns ON and when MV is below 2.0%, it turns OFF.

### 9. [A/M] key: It is used when switching auto control to manual control.

※TK4N/S/SP do not have [A/M] key. [MODE] key operates switching simultaneously.

### 10. [MODE] key: It is used when entering parameter setting group, returning to RUN mode, moving parameter, saving the set value.

### 11. [◀], [▶], [↔] key: It is used when entering the set value changing mode and moving or changing up/down digit.

### 12. Digital input key: When pressing [◻] + [◻] keys for 3 sec at the same time, it operates the function (RUN/STOP, alarm clear, auto tuning) set at digital input key [d i - t] in parameter 5 group.

### 13. PC loader port: It is the PC loader port for serial communication to set parameter and monitoring by DAQMaster installed in PC. Use this for connecting SCM-US (USB to Serial converter, sold separately).

### 14. Input selection switch: Used when switching sensor (TC, RTD) input ↔ analog input (mV, V, mA). (only the previous model)

(A) Photoelectric Sensors

(B) Fiber Optic Sensors

(C) Door/Area Sensors

(D) Proximity Sensors

(E) Pressure Sensors

(F) Rotary Encoders

(G) Connectors/ Connector Cables/ Sensor Distribution Boxes/Sockets

(H) Temperature Controllers

(I) SSRs / Power Controllers

(J) Counters

(K) Timers

(L) Panel Meters

(M) Tacho / Speed / Pulse Meters

(N) Display Units

(O) Sensor Controllers

(P) Switching Mode Power Supplies

(Q) Stepper Motors & Drivers & Controllers

(R) Graphic/ Logic Panels

(S) Field Network Devices

(T) Software

# TK Series

## ■ Sold Separately

### ◎ Communication converter

#### ● SCM-WF48

(Wi-Fi to RS485-USB wireless communication converter)



#### ● SCM-US48I

(USB to RS485 converter)



#### ● SCM-38I

(RS232C to RS485 converter)



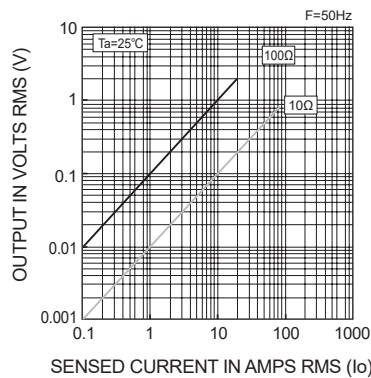
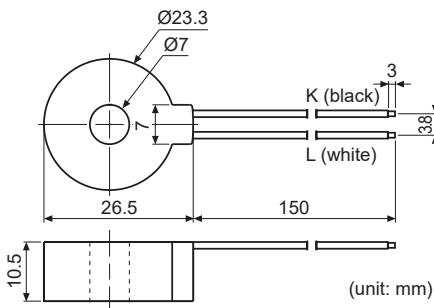
#### ● SCM-US

(USB to Serial converter)



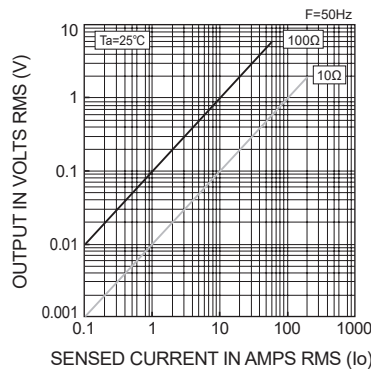
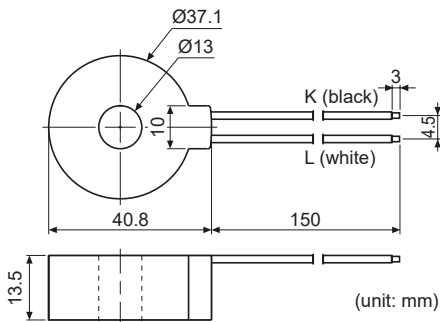
### ◎ Current transformer (CT)

#### ● CSTC-E80LN



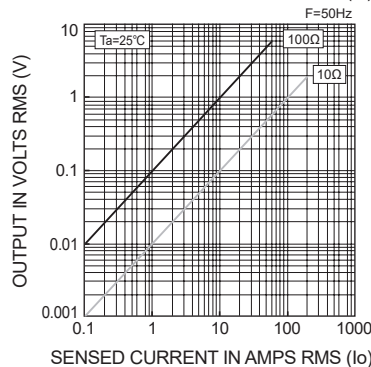
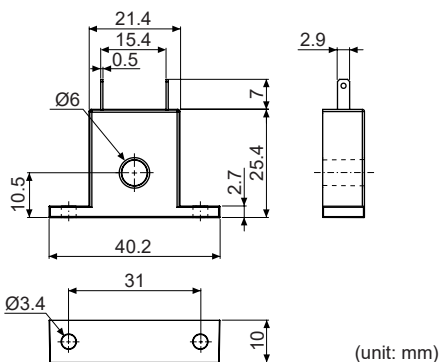
- Max. load current: 80A (50/60Hz)
- ※ Max. load current for TK4 Series is 50A.
- Current ratio: 1/1000
- Wire wounded resistance:  $31\Omega \pm 10\%$

#### ● CSTC-E200LN



- Max. load current: 200A (50/60Hz)
- ※ Max. load current for TK4 Series is 50A.
- Current ratio: 1/1000
- Wire wounded resistance:  $20\Omega \pm 10\%$

#### ● CSTS-E80PP



- Max. load current: 80A (50/60Hz)
- ※ Max. load current for TK4 Series is 50A.
- Current ratio: 1/1000
- Wire wounded resistance  $31\Omega \pm 10\%$

※ Do not supply primary current in case that CT output is open. High voltage will be generated in CT output.

※ The current for above CTs is 50A same but inner hole sizes are different. Please use this for your environment.



# High Performance, General-Purpose, PID Control

## ■ Sold Separately

### ◎ Display units (DS/DA-T Series)

#### ● DS/DA-T Series

(RS485 communication input type display unit) C E



DS16-CT



DS22/DA22-CT



DS40/DA40-CT



DS60/DA60-CT

※Connect RS485 communication input type display unit (DS/DA-T Series) and RS485 communication output model of TK Series, the display unit displays present value of the device without PC/PLC.

## ■ Input Type and Range

Input type		Decimal point	Display	Input range (°C)	Input range (°F)
Thermocouple	K(CA)	1	℄℄℄℄	-200 to 1350	-328 to 2463
		0.1	℄℄℄℄	-199.9 to 999.9	-199.9 to 999.9
	J(IC)	1	℄℄℄℄	-200 to 800	-328 to 1472
		0.1	℄℄℄℄	-199.9 to 800.0	-199.9 to 999.9
	E(CR)	1	℄℄℄℄	-200 to 800	-328 to 1472
		0.1	℄℄℄℄	-199.9 to 800.0	-199.9 to 999.9
	T(CC)	1	℄℄℄℄	-200 to 400	-328 to 752
		0.1	℄℄℄℄	-199.9 to 400.0	-199.9 to 752.0
	B(PR)	1	℄ ℄ ℄	0 to 1800	32 to 3272
	R(PR)	1	℄ ℄ ℄	0 to 1750	32 to 3182
	S(PR)	1	℄ ℄ ℄	0 to 1750	32 to 3182
	N(NN)	1	℄ ℄ ℄	-200 to 1300	-328 to 2372
	C(TT) <sup>※1</sup>	1	℄ ℄ ℄	0 to 2300	32 to 4172
	G(TT) <sup>※2</sup>	1	℄ ℄ ℄	0 to 2300	32 to 4172
L(IC)	1	℄ ℄ ℄ ℄	-200 to 900	-328 to 1652	
	0.1	℄ ℄ ℄ ℄	-199.9 to 900.0	-199.9 to 999.9	
U(CC)	1	℄℄℄℄	-200 to 400	-328 to 752	
	0.1	℄℄℄℄	-199.9 to 400.0	-199.9 to 752.0	
Platinel II	1	℄℄℄℄	0 to 1390	32 to 2534	
RTD	Cu 50Ω	0.1	℄ ℄ ℄	-199.9 to 200.0	-199.9 to 392.0
	Cu 100Ω	0.1	℄ ℄ ℄	-199.9 to 200.0	-199.9 to 392.0
	JPt 100Ω	1	℄ ℄ ℄ ℄	-200 to 650	-328 to 1202
	DPt 50Ω	0.1	℄ ℄ ℄ ℄	-199.9 to 650.0	-199.9 to 999.9
	DPt 100Ω	1	℄ ℄ ℄ ℄	-200 to 650	-328 to 1202
	DPt 100Ω	0.1	℄ ℄ ℄ ℄	-199.9 to 650.0	-199.9 to 999.9
	Nickel 120Ω	1	℄ ℄ ℄ ℄	-80 to 200	-112 to 392
Analog	Voltage	0-10V	℄ ℄ ℄ ℄	-1999 to 9999 (Display point will be changed according to decimal point position)	
		0-5V	℄ ℄ ℄ ℄		
		1-5V	℄ ℄ ℄ ℄		
		0-100mV	℄ ℄ ℄ ℄		
	Current	0-20mA	℄ ℄ ℄ ℄		
		4-20mA	℄ ℄ ℄ ℄		

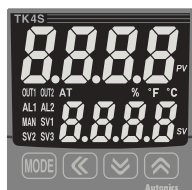
※1: C (TT): Same as existing W5 (TT) type sensor

※2: G (TT): Same as existing W (TT) type sensor

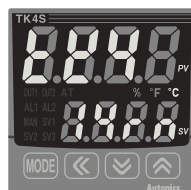
## ■ Front Panel Display When Power Is On

When power is supplied, display will flash for 1 sec. Afterwards, model name and input sensor type will flash twice and then enter into RUN mode.

### 1. Whole display part



### 2. Model type display



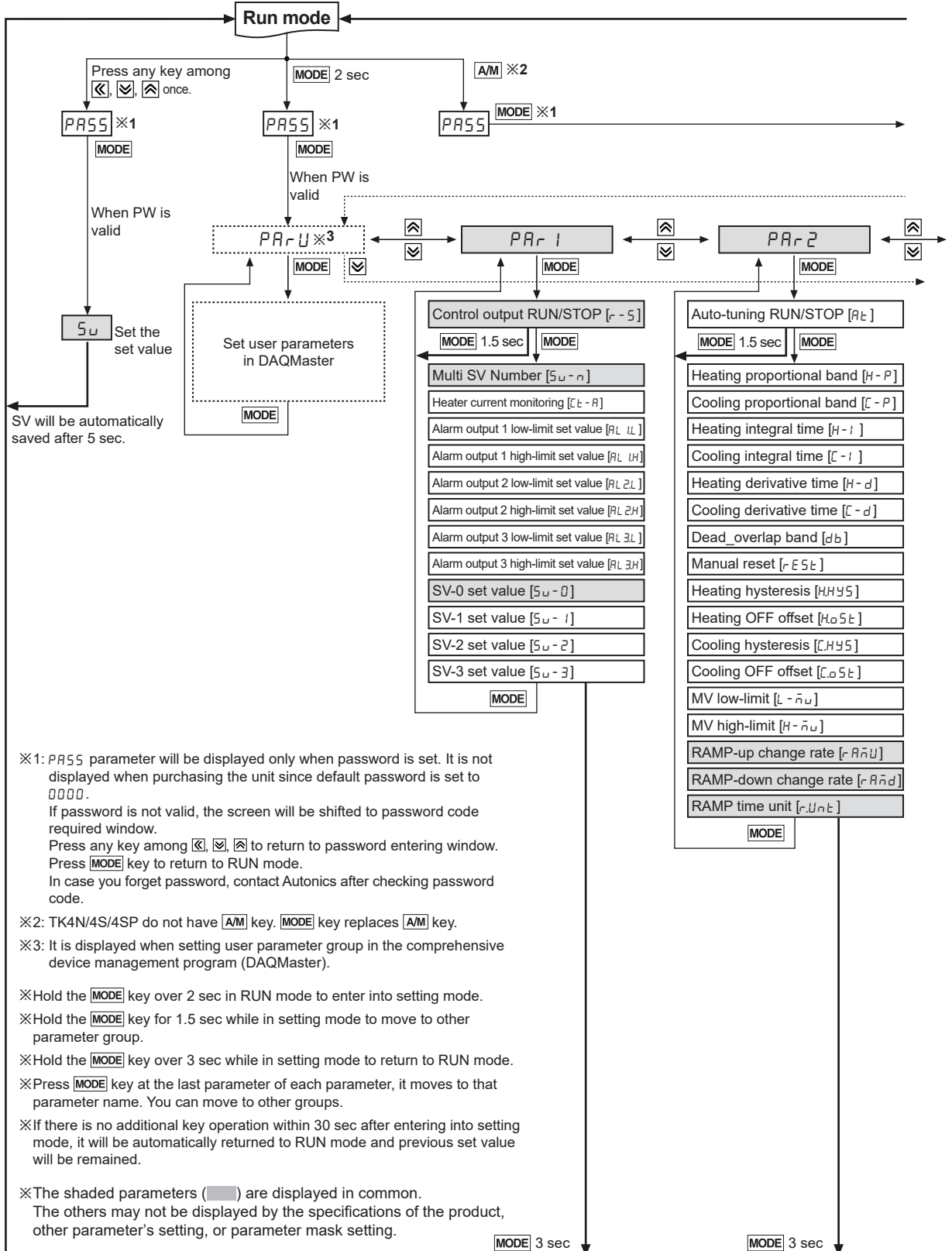
### 3. Input sensor type display



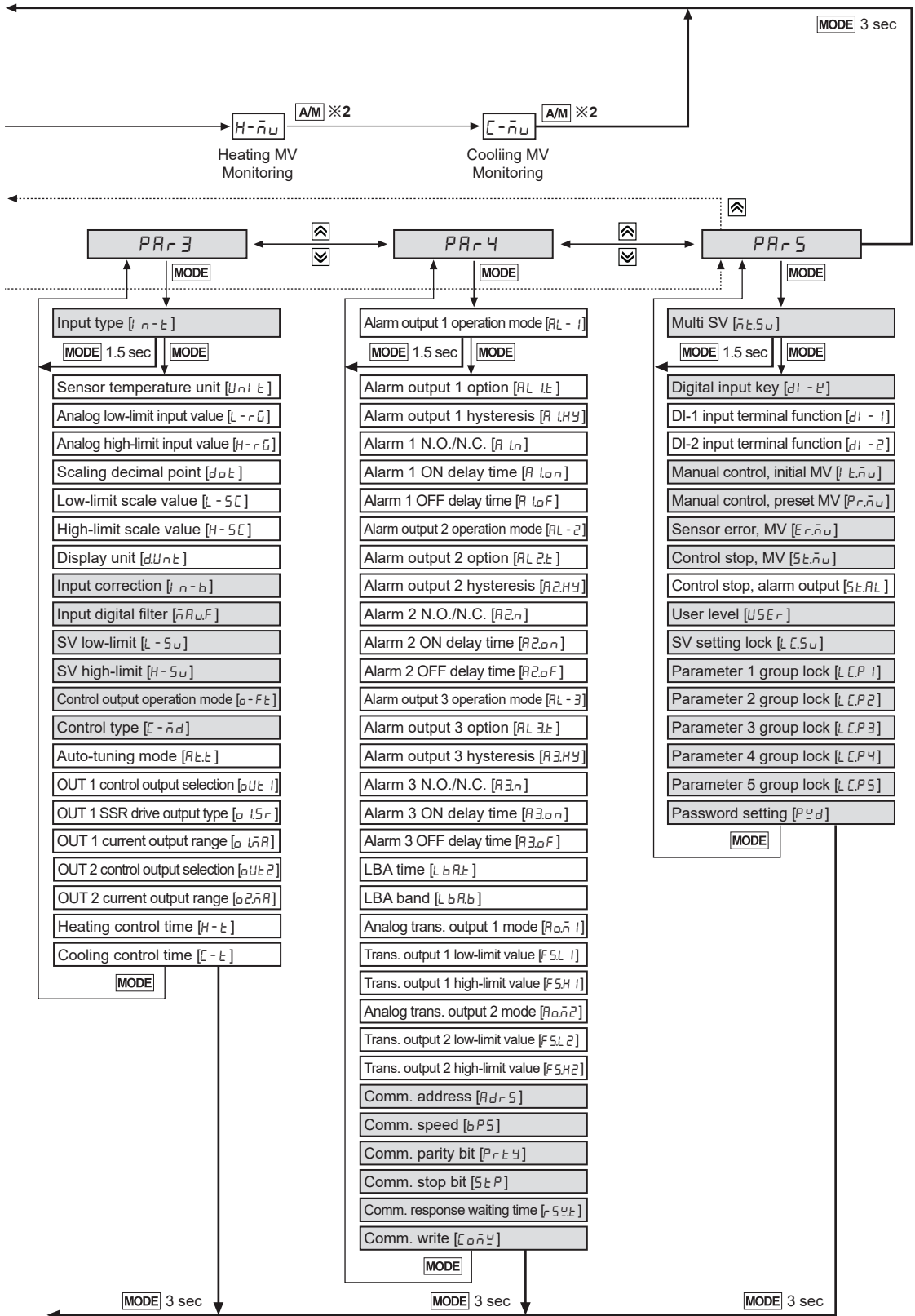
### 4. Run mode



## Parameter Group

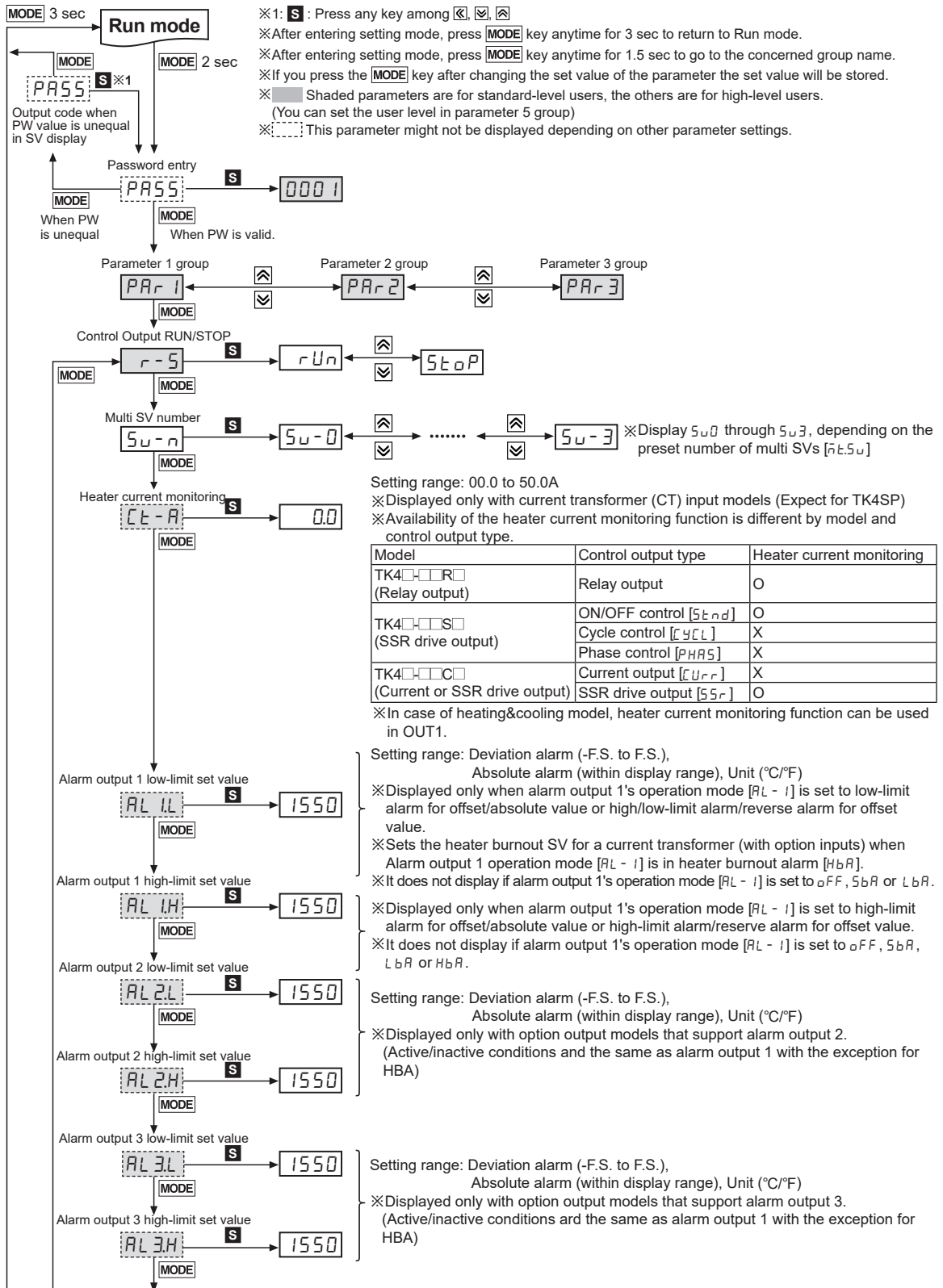


# High Performance, General-Purpose, PID Control

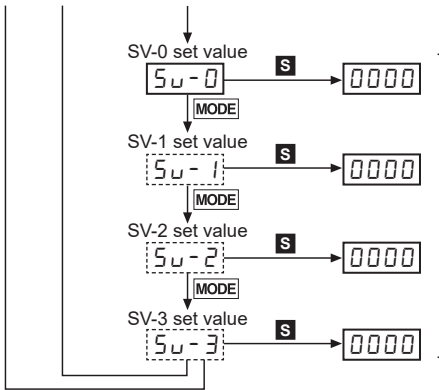


- (A) Photoelectric Sensors
- (B) Fiber Optic Sensors
- (C) Door/Area Sensors
- (D) Proximity Sensors
- (E) Pressure Sensors
- (F) Rotary Encoders
- (G) Connectors/ Connector Cables/ Sensor Distribution Boxes/Sockets
- (H) Temperature Controllers
- (I) SSRs / Power Controllers
- (J) Counters
- (K) Timers
- (L) Panel Meters
- (M) Tacho / Speed / Pulse Meters
- (N) Display Units
- (O) Sensor Controllers
- (P) Switching Mode Power Supplies
- (Q) Stepper Motors & Drivers & Controllers
- (R) Graphic/ Logic Panels
- (S) Field Network Devices
- (T) Software

## Parameter 1 Group



# High Performance, General-Purpose, PID Control

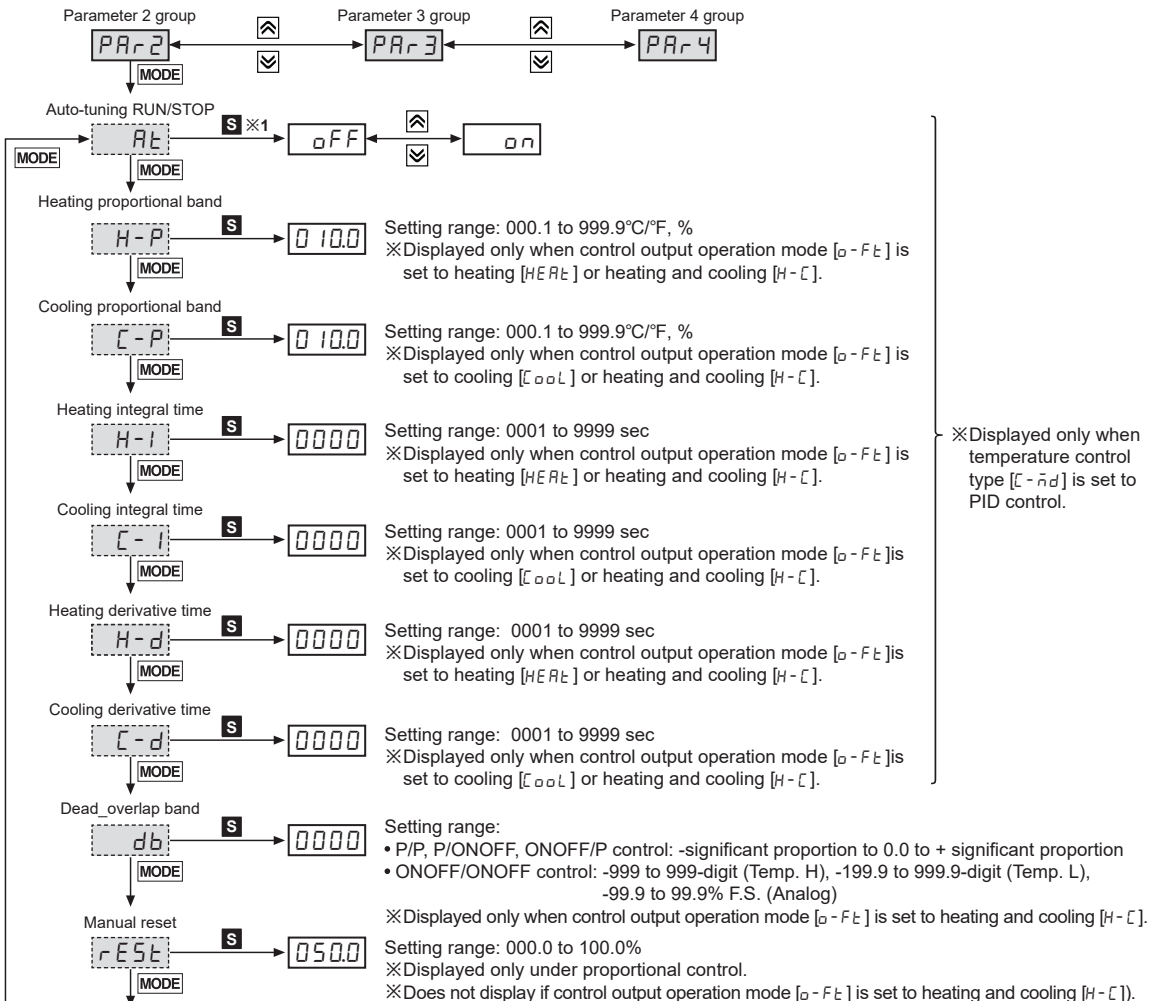


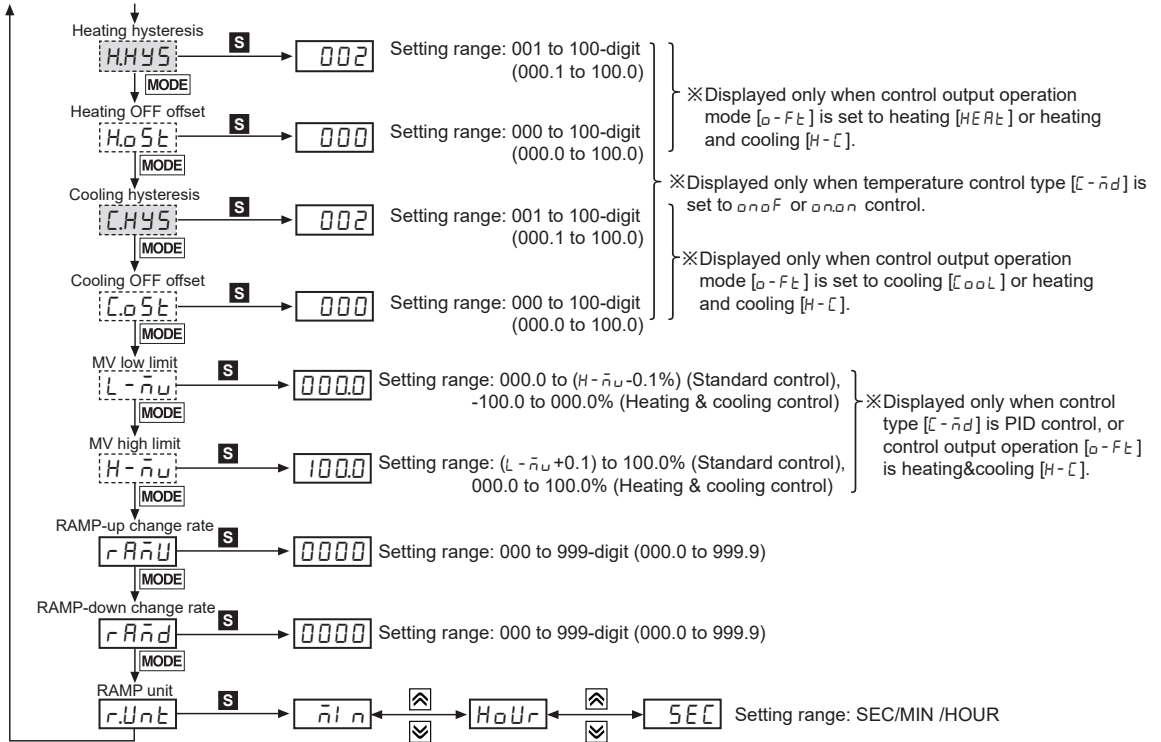
Setting range: L - 50 to H - 50, unit (°C/°F)  
 ※The number of multi SVs [500 to 503] set at Multi SV [nL50] are displayed.

(A)	Photoelectric Sensors
(B)	Fiber Optic Sensors
(C)	Door/Area Sensors
(D)	Proximity Sensors
(E)	Pressure Sensors
(F)	Rotary Encoders
(G)	Connectors/ Connector Cables/ Sensor Distribution Boxes/Sockets
(H)	Temperature Controllers
(I)	SSRs / Power Controllers
(J)	Counters
(K)	Timers
(L)	Panel Meters
(M)	Tacho / Speed / Pulse Meters
(N)	Display Units
(O)	Sensor Controllers
(P)	Switching Mode Power Supplies
(Q)	Stepper Motors & Drivers & Controllers
(R)	Graphic/ Logic Panels
(S)	Field Network Devices
(T)	Software

## Parameter 2 Group

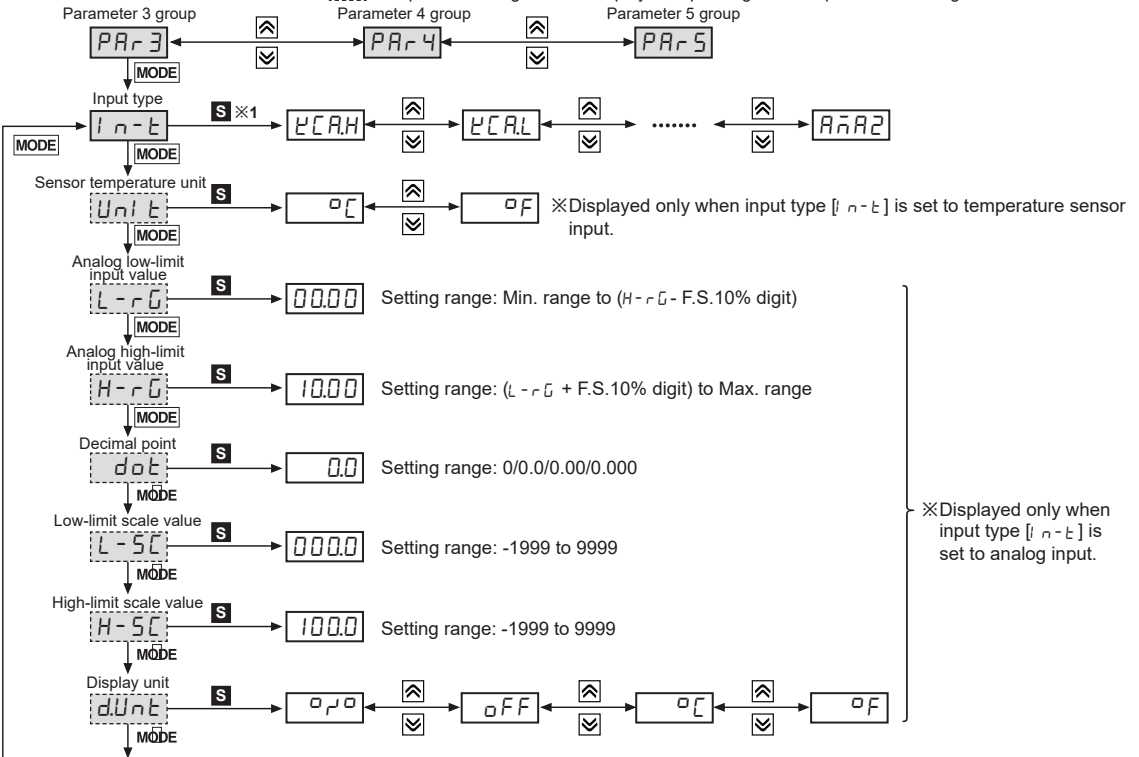
- ※1: **S** : Press any key among [←], [→], [↑], [↓]
- ※After entering setting mode, press **MODE** key anytime for 3 sec to return to Run mode.
- ※After entering setting mode, press **MODE** key anytime for 1.5 sec to go to the concerned group name.
- ※If you press the **MODE** key after changing the set value of the parameter the set value will be stored.
- ※ Shaded parameters are for standard-level users, the others are for high-level users.
- (You can set the user level in parameter 5 group)
- ※: [ ] This parameter might not be displayed depending on other parameter settings.



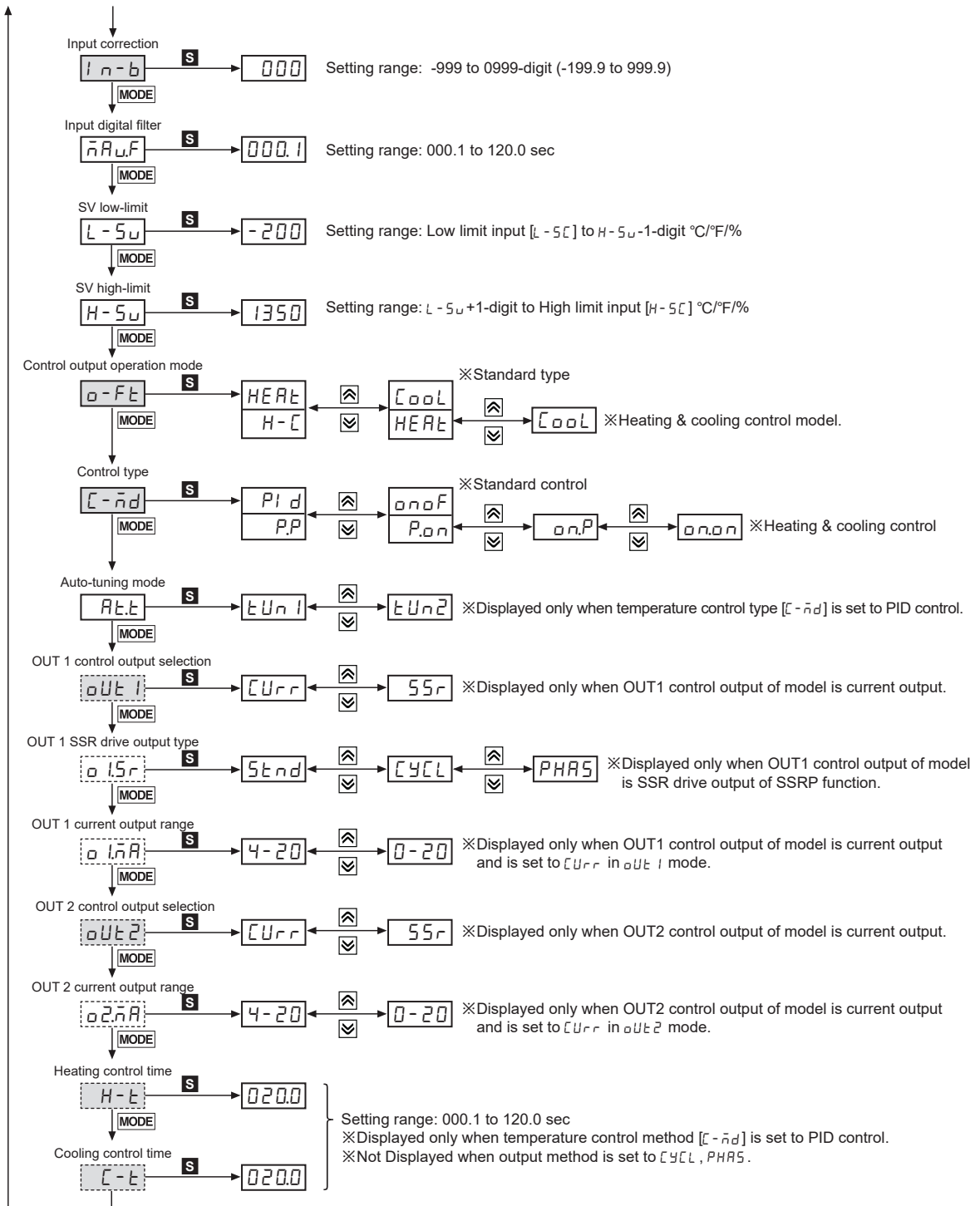


## Parameter 3 Group

- ※1: **S**: Press any key among **◀**, **▶**, **↵**
- ※ After entering setting mode, press **MODE** key anytime for 3 sec to return to Run mode.
- ※ After entering setting mode, press **MODE** key anytime for 1.5 sec to go to the concerned group name.
- ※ If you press the **MODE** key after changing the setting value of the parameter the setting value will be stored.
- ※ Shaded parameters are for standard-level users, the others are for high-level users.
- (You can set the user level in parameter 5 group)
- ※: This parameter might not be displayed depending on other parameter settings.



# High Performance, General-Purpose, PID Control





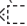


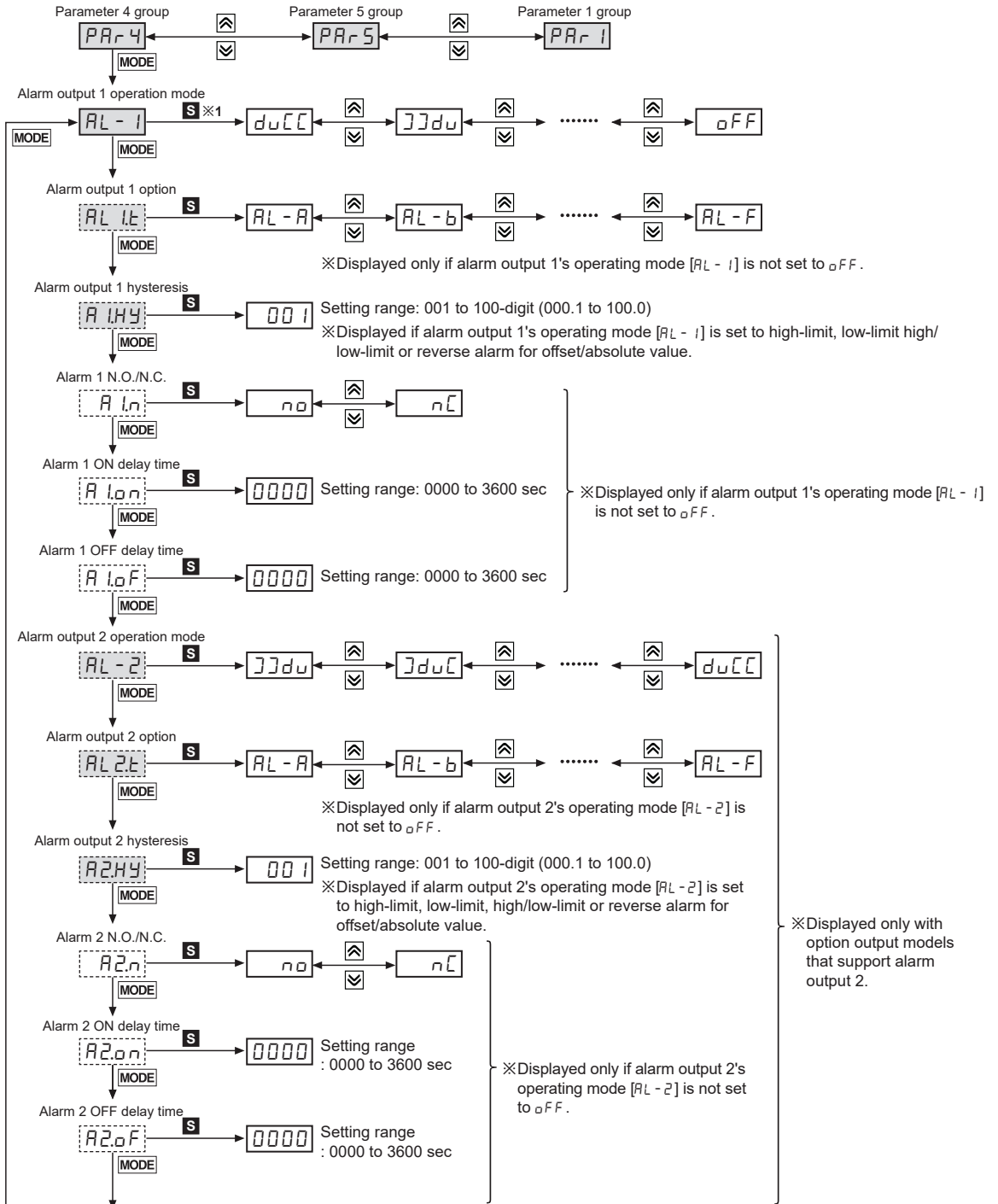
(A)	Photoelectric Sensors
(B)	Fiber Optic Sensors
(C)	Door/Area Sensors
(D)	Proximity Sensors
(E)	Pressure Sensors
(F)	Rotary Encoders
(G)	Connectors/ Connector Cables/ Sensor Distribution Boxes/Sockets
(H)	Temperature Controllers
(I)	SSRs / Power Controllers
(J)	Counters
(K)	Timers
(L)	Panel Meters
(M)	Tacho / Speed / Pulse Meters
(N)	Display Units
(O)	Sensor Controllers
(P)	Switching Mode Power Supplies
(Q)	Stepper Motors & Drivers & Controllers
(R)	Graphic/ Logic Panels
(S)	Field Network Devices
(T)	Software

※OUT1, OUT2 output:

- In case that OUT1,OUT2 output is relay output type, oUt1, o1Sr, o1nA, oUt2, o2Sr, o2nA parameter are not displayed.
- In case that OUT1,OUT2 output is current + SSR drive output type, when OUT1,OUT2 output is set to SSR. : Output method of o1Sr, o2Sr is held in Stnd and parameter is not displayed.
- In case that OUT1, output is SSR drive output model of SSRP function and OUT2 output is current + SSR drive output - oUt1, o1nA are not displayed. - o1Sr can set to Stnd, CYCL, PHAS - When o2Sr is set to SSR it is held in Stnd and parameter is not displayed.

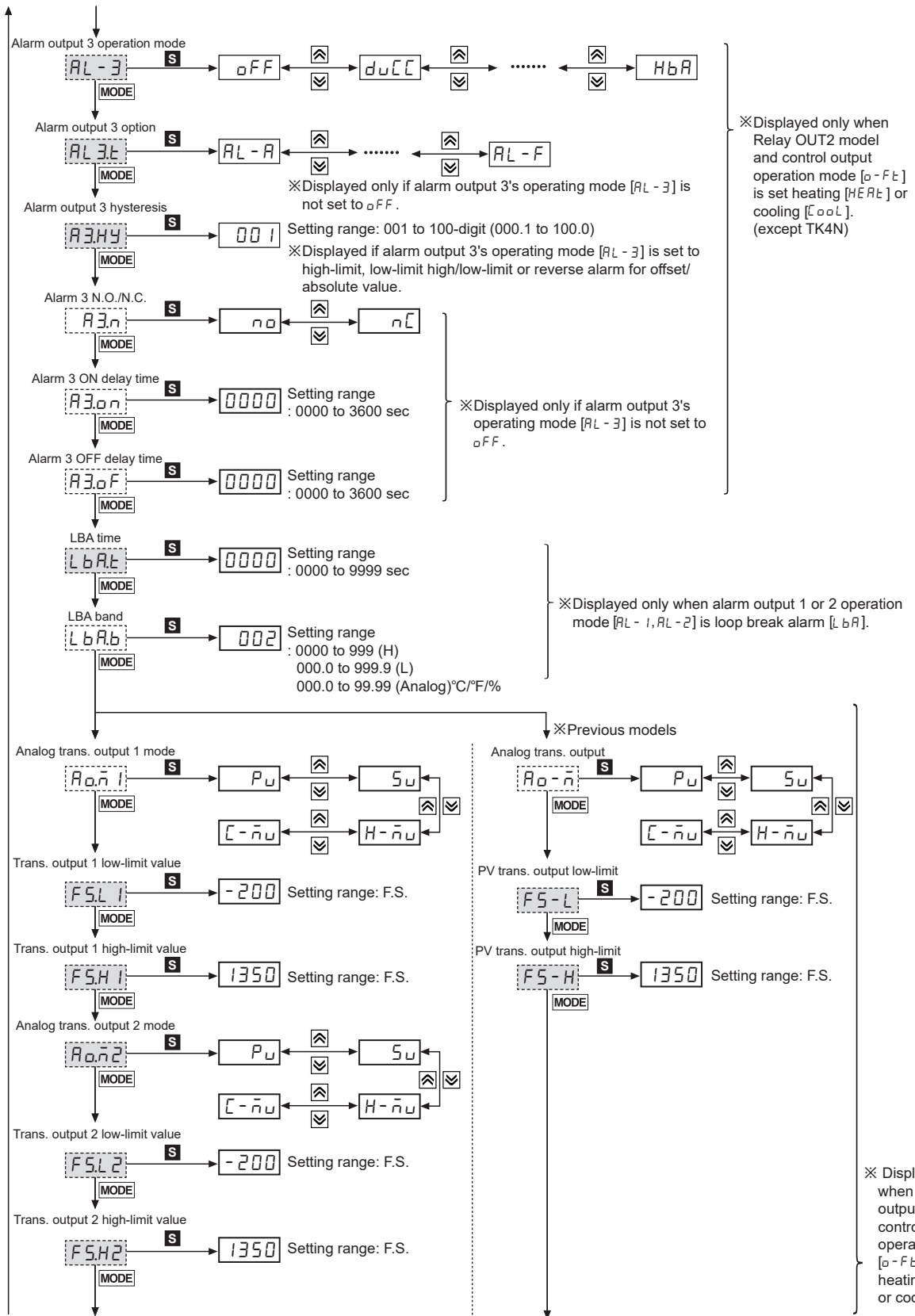
## Parameter 4 Group

- ※1: **S** : Press any key among , , 
- ※After entering setting mode, press **MODE** key anytime for 3 sec to return to Run mode.
- ※After entering setting mode, press **MODE** key anytime for 1.5 sec to go to the concerned group name.
- ※If you press the **MODE** key after changing the set value of the parameter the set value will be stored.
- ※  Shaded parameters are for standard-level users, the others are for high-level users.  
(You can set the user level in parameter 5 group)
- ※  This parameter might not be displayed depending on other parameter settings.



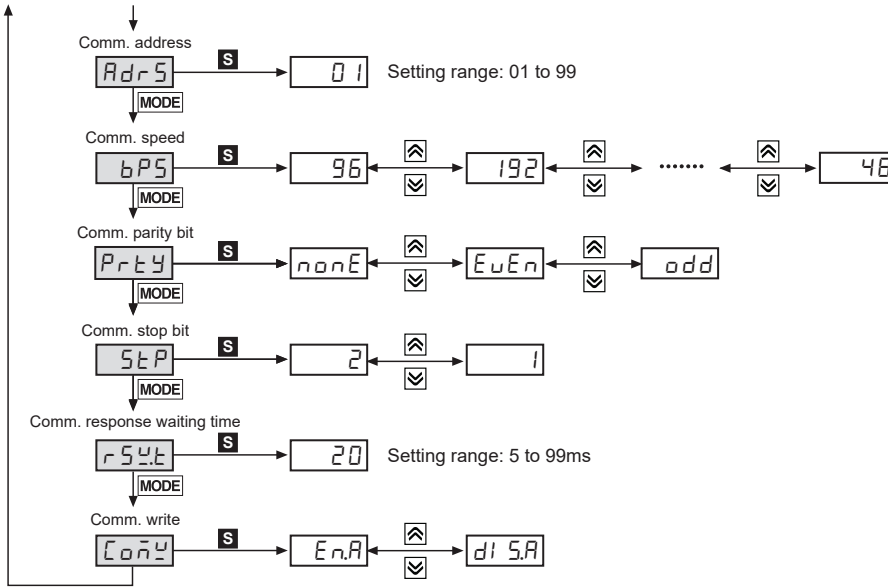


# High Performance, General-Purpose, PID Control



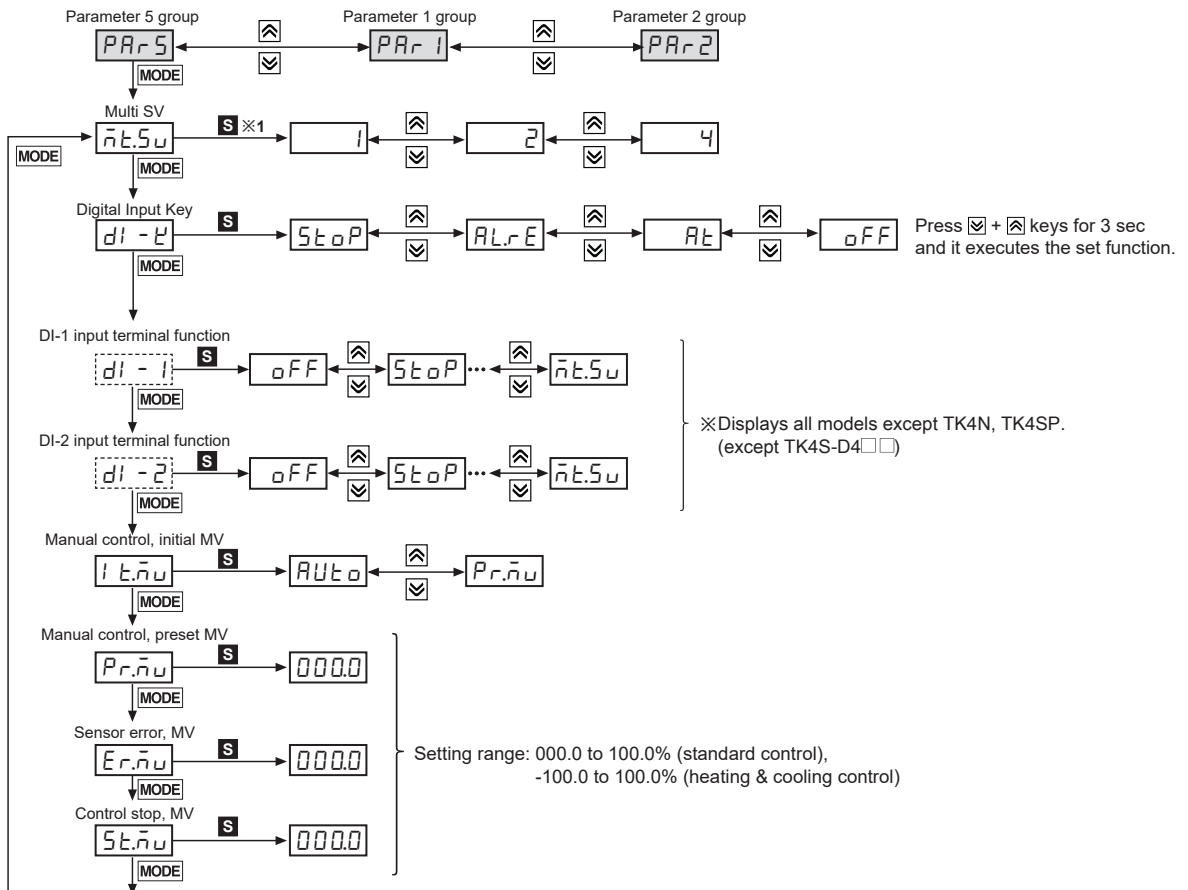
- (A) Photoelectric Sensors
- (B) Fiber Optic Sensors
- (C) Door/Area Sensors
- (D) Proximity Sensors
- (E) Pressure Sensors
- (F) Rotary Encoders
- (G) Connectors/ Connector Cables/ Sensor Distribution Boxes/Sockets
- (H) Temperature Controllers
- (I) SSRs / Power Controllers
- (J) Counters
- (K) Timers
- (L) Panel Meters
- (M) Tacho / Speed / Pulse Meters
- (N) Display Units
- (O) Sensor Controllers
- (P) Switching Mode Power Supplies
- (Q) Stepper Motors & Drivers & Controllers
- (R) Graphic/ Logic Panels
- (S) Field Network Devices
- (T) Software

# TK Series

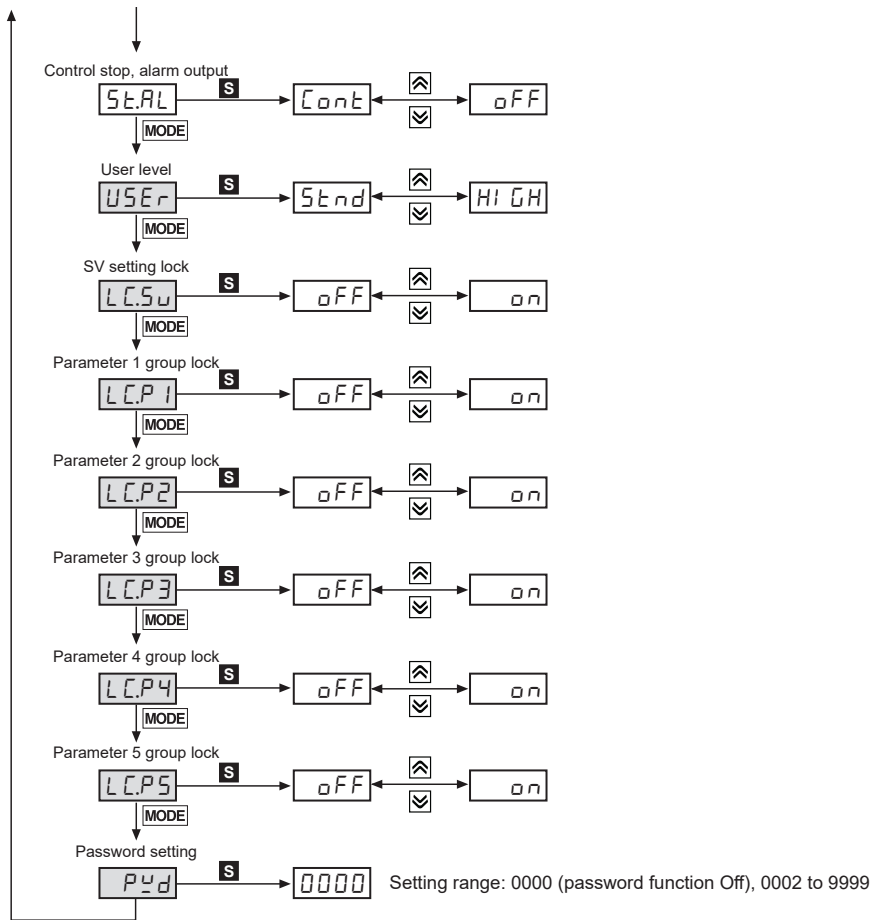


## Parameter 5 Group

- ※1: **S**: Press any key among  $\leftarrow$ ,  $\rightarrow$ ,  $\uparrow$ ,  $\downarrow$ .
- ※After entering setting mode, press **MODE** key anytime for 3 sec to return to Run mode.
- ※After entering setting mode, press **MODE** key anytime for 1.5 sec to go to the concerned group name.
- ※If you press the **MODE** key after changing the setting value of the parameter the setting value will be stored.
- ※ Shaded parameters are for standard-level users, the others are for high-level users.
- (You can set the user level in parameter 5 group)
- ※: This parameter might not be displayed depending on other parameter settings.

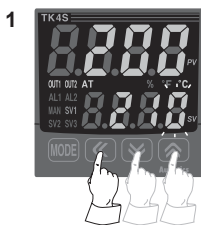


# High Performance, General-Purpose, PID Control

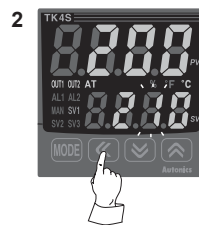


## SV Setting

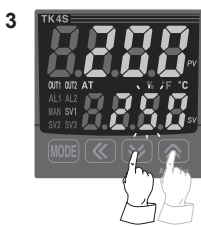
You can set the temperature to control with  $\leftarrow$ ,  $\rightarrow$ ,  $\uparrow$  keys.  
Setting range is within SV low-limit value [L - 5u] to SV high-limit value [H - 5u].  
E.g.) In case of changing set temperature from 210°C to 250°C



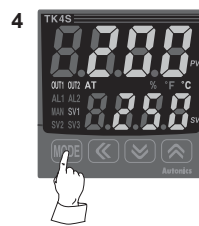
Press any key among  $\leftarrow$ ,  $\rightarrow$ ,  $\uparrow$  key in RUN mode, the right digit at SV display flashes and it enters to SV setting.



Press  $\leftarrow$  key to move the desired digit.  
( $10^0 \rightarrow 10^1 \rightarrow 10^2 \rightarrow 10^3 \rightarrow 10^0$ )



Press  $\rightarrow$  or  $\leftarrow$  key to move the desired number (1 → 5).



Press **MODE** key to save the value and it controls with this set value.  
(even though there is no key input for over 3 sec, it saves automatically.)

## Parameter Reset

Press  $\leftarrow$ ,  $\rightarrow$ ,  $\uparrow$  to reset all parameters in memory to default value.  
Set *init* parameter to *YES* to reset all parameters.  
In case password function is on, it is required to enter valid password to reset parameters.  
Password is also reset.

(A)	Photoelectric Sensors
(B)	Fiber Optic Sensors
(C)	Door/Area Sensors
(D)	Proximity Sensors
(E)	Pressure Sensors
(F)	Rotary Encoders
(G)	Connectors/ Connector Cables/ Sensor Distribution Boxes/Sockets
(H)	Temperature Controllers
(I)	SSRs / Power Controllers
(J)	Counters
(K)	Timers
(L)	Panel Meters
(M)	Tacho / Speed / Pulse Meters
(N)	Display Units
(O)	Sensor Controllers
(P)	Switching Mode Power Supplies
(Q)	Stepper Motors & Drivers & Controllers
(R)	Graphic/ Logic Panels
(S)	Field Network Devices
(T)	Software

# TK Series

## ■ Factory Default

### ● SV setting [S<sub>U</sub>]

Parameter	Factory default
S <sub>U</sub>	0

### ● Password input parameter

Parameter	Factory default
PASS	0001

### ● Parameter 1 group [PAR-1]

Parameter	Factory default	Parameter	Factory default	Parameter	Factory default	Parameter	Factory default
r-S	rUn	AL1H	1550	AL3H	1550	S <sub>U-3</sub>	0000
S <sub>U-n</sub>	S <sub>U-0</sub>	AL2L	1550	S <sub>U-0</sub>	0000		
Ct-R	00	AL2H	1550	S <sub>U-1</sub>	0000		
AL1L	1550	AL3L	1550	S <sub>U-2</sub>	0000		

### ● Parameter 2 group [PAR-2]

Parameter	Factory default	Parameter	Factory default	Parameter	Factory default	Parameter	Factory default
AL	oFF	H-d	0000	HoSE	000	rAnU	000
H-P	0100	C-d	0000	CHYS	002	rAnd	000
C-P	0100	db	0000	CoSE	000	rUnE	nIn
H-1	0000	rESE	0500	L-nu	+1000		
C-1	0000	HHYS	002	H-nu	1000		

### ● Parameter 3 group [PAR-3]

Parameter	Factory default	Parameter	Factory default	Parameter	Factory default	Parameter	Factory default
In-E	ECRH	H-SC	1000	o-FE	HEAL (standard)	o15r	SEnd
Un-E	oC	dUnE	oPo		H-C (heating & cooling)	o1nA	4-20
L-rG	0000	In-b	0000	C-nD	PI d (standard)	oUeZ	CUr r
H-rG	1000	nAuF	000.1		PP (heating & cooling)	o2nA	4-20
doE	00	L-Su	-200	ALe	tUn1	H-E	0200 (relay)
L-SC	0000	H-Su	1350	oUe1	CUr r	C-E	0020 (SSR)

### ● Parameter 4 group [PAR-4]

Parameter	Factory default	Parameter	Factory default	Parameter	Factory default	Parameter	Factory default
AL-1	dUCC	A2n	no	LbAL	0000	bP5	96
AL1E	AL-R	A2on	0000	LbAb	002 (003 <sup>*1</sup> )	PrEY	nonE
ALHY	001	A2oF	0000	Roñ1 (Ro-n <sup>*1</sup> )	Pu	SEp	2
ALn	no	AL-3	oFF	FSL1 (FS-L <sup>*1</sup> )	-200	rSYE	20
ALon	0000	AL3E	AL-R	FSH1 (FS-H <sup>*1</sup> )	1350	CoñE	EnA
ALoF	0000	A3HY	001	Roñ2	Pu		
AL-2	JJdW	A3n	no	FSL2	-200		
AL2E	AL-R	A3on	0000	FSH2	1350		
A2HY	001	A3oF	0000	Adr5	01		

### ● Parameter 5 group [PAR-5]

Parameter	Factory default	Parameter	Factory default	Parameter	Factory default	Parameter	Factory default
nE5u	1	Pr-nu	0000	LC5u	oFF	LCPS	oFF
dl-E	SEoP	Er-nu	0000	LCP1	oFF		
dl-1	oFF	SE-nu	0000	LCP2	oFF		
dl-2	oFF	SEAL	ConE	LCP3	oFF		
lE-nu	AUto	USEr	SEnd	LCP4	oFF		

※ Shaded parameters are only for the new model.

※1: This parameter is for previous models.

# High Performance, General-Purpose, PID Control

## Alarm

### Alarm operation

Mode	Name	Alarm operation	Description
OFF	—	—	No alarm output
$d_{uL}$	Deviation high-limit alarm	<p>High deviation: Set as 10°C      High deviation: Set as -10°C</p>	If deviation between PV and SV as high-limit is higher than set value of deviation temperature, the alarm output will be ON.
$]]d_u$	Deviation low-limit alarm	<p>Lower deviation: Set as 10°C      Lower deviation: Set as -10°C</p>	If deviation between PV and SV as low-limit is higher than set value of deviation temperature, the alarm output will be ON.
$]]d_uL$	Deviation high/low-limit alarm	<p>Lower deviation: Set as 10°C, High deviation: Set as 20°C</p>	If deviation between PV and SV as high/low-limit is higher than set value of deviation temperature, the alarm output will be ON.
$[d_u]$	Deviation high/low-limit reserve alarm	<p>Lower deviation: Set as 10°C, High deviation: Set as 20°C</p>	If deviation between PV and SV as high/low-limit is higher than set value of deviation temperature, the alarm output will be OFF.
$P_{uL}$	Absolute value high limit alarm	<p>Absolute-value Alarm: Set as 90°C      Absolute-value Alarm: Set as 110°C</p>	If PV is higher than the absolute value, the output will be ON.
$]]P_u$	Absolute value low limit alarm	<p>Absolute-value Alarm: Set as 90°C      Absolute-value Alarm: Set as 110°C</p>	If PV is lower than the absolute value, the output will be ON.
$LbA$	Loop break Alarm	—	It will be ON when it detects loop break.
$SbA$	Sensor break Alarm	—	It will be ON when it detects sensor disconnection.
$HbA$	Heater break alarm	—	It will be ON when CT detects heater break.

※H: Alarm  output hysteresis [ $R_{H\Delta}$ ]

※Availability of the heater burnout alarm function is different by model and control output type.

Model	Control output type	Heater burnout alarm
TK4□□□R□ (Relay output)	Relay output	O
TK4□□□S□ (SSR drive output)	ON/OFF control [ $S_{tnd}$ ]	O
	Cycle control [ $y_{CL}$ ]	X
	Phase control [ $P_{HRS}$ ]	X
TK4□□□□□ (Current or SSR drive output)	Current output [ $U_{rr}$ ]	X
	SSR drive output [ $S_{sr}$ ]	O

※In case of heating&cooling model, heater burnout alarm function can be used in OUT1.

### Alarm option

Mode	Name	Description
$RL-A$	Standard alarm	If it is an alarm condition, alarm output is ON. If it is a clear alarm condition, alarm output is OFF.
$RL-b$	Alarm latch	If it is an alarm condition, alarm output is ON and maintains ON status.
$RL-C$	Standby sequence 1	First alarm condition is ignored and from second alarm condition, standard alarm operates. When power is supplied and it is an alarm condition, this first alarm condition is ignored and from the second alarm condition, standard alarm operates.
$RL-d$	Alarm latch and standby sequence 1	If it is an alarm condition, it operates both alarm latch and standby sequence. When power is supplied and it is an alarm condition, this first alarm condition is ignored and from the second alarm condition, alarm latch operates.
$RL-E$	Standby sequence 2	First alarm condition is ignored and from second alarm condition, standard alarm operates. When re-applied standby sequence and if it is alarm condition, alarm output does not turn ON. After clearing alarm condition, standard alarm operates.
$RL-F$	Alarm latch and standby sequence 2	Basic operation is same as alarm latch and standby sequence 1. It operates not only by power ON/OFF, but also alarm set value, or alarm option changing. When re-applied standby sequence and if it is alarm condition, alarm output does not turn ON. After clearing alarm condition, alarm latch operates.

※Condition of re-applied standby sequence for standby sequence 1, alarm latch and standby sequence 1: Power ON  
 Condition of re-applied standby sequence for standby sequence 2, alarm latch and standby sequence 2: Power ON, changing set temperature, alarm temperature [ $RL-1, RL-2$ ] or alarm operation [ $RL-1, RL-2$ ], switching STOP mode to RUN mode.

(A) Photoelectric Sensors

(B) Fiber Optic Sensors

(C) Door/Area Sensors

(D) Proximity Sensors

(E) Pressure Sensors

(F) Rotary Encoders

(G) Connectors/ Connector Cables/ Sensor Distribution Boxes/Sockets

(H) Temperature Controllers

(I) SSRs / Power Controllers

(J) Counters

(K) Timers

(L) Panel Meters

(M) Tacho / Speed / Pulse Meters

(N) Display Units

(O) Sensor Controllers

(P) Switching Mode Power Supplies

(Q) Stepper Motors & Drivers & Controllers

(R) Graphic/ Logic Panels

(S) Field Network Devices

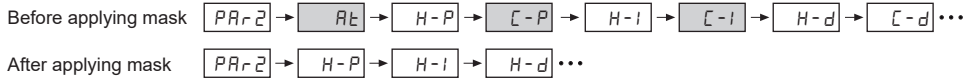
(T) Software

## ■ Functions

### ⊙ Parameter mask

- This function is able to hide unnecessary parameters to user environment or less frequently used parameters in parameter setting group. You can set this in the comprehensive device management program (DAQMaster).
- Though masked parameters are not displayed in parameter setting group, the parameter set values are applied. For more information, refer to the DAQMaster user manual.
- Visit our web site ([www.autonics.com](http://www.autonics.com)) to download the DAQMaster program and the user manual.

※E.g.)The above is masking auto tuning [A<sub>t</sub>], cooling proportional band [C-P], cooling integral time [C-I], cooling derivative time [C-d] parameters in parameter 2 group.

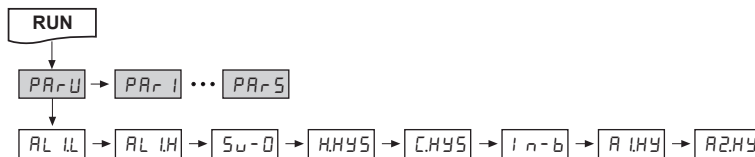


※This function is for new model.

### ⊙ User parameter group [PArU] setting

- This function is able to set the frequently used parameters to the user parameter group. You can quickly and easily set parameter settings.
- User parameter group can have up to 30 parameters in the comprehensive device management program (DAQMaster). For more information, refer to the DAQMaster user manual.
- Visit our website ([www.autonics.com](http://www.autonics.com)) to download the DAQMaster program and the user manual.

※E.g.)The above is setting user parameter group in the DAQMaster with alarm output 1 low-limit value [AL 1L], alarm output 1 high-limit value [AL 1H], SV-0 set value [SV-0] parameter of parameter 1 group, heating hysteresis [HHYS], cooling hysteresis [CHYS] parameters of parameter 2 group, input correction [I n-b] parameter of parameter 3 group, alarm output 1 hysteresis [A 1HY], alarm output 2 hysteresis [A2HY] parameters of parameter 4 group.



※This function is for new model.

### ⊙ Auto tuning [A<sub>t</sub>]

In PID control, auto-tuning determines the control subject's thermal characteristics and thermal response rate, and then determines the necessary PID time constant. Application of the PID time constant realizes fast response and high precision temperature control.

- Auto-tuning automatically stores PID time constants upon termination. These PID time constants can then be modified by the user to suit their usage environment.
- When auto-tuning is in progress, the AT indicator located on the front of the controller flashes in 1 second intervals. When auto-tuning finishes, the AT indicator automatically goes off and the auto-tuning parameter will return to OFF.

Set value	Descriptions
0FF	Auto tuning end
0n	Auto tuning run

Setting group	Parameter	Setting range	Factory default	Unit
PAr2	A <sub>t</sub>	0FF / 0n	0FF	—

※Manual interruption or a sensor disconnection error when auto-tuning is in progress restores the PID time constant to the value used prior to the auto-tuning session.

※Auto-tuning continues to run even if the temperature reading exceeds or falls below the input range.

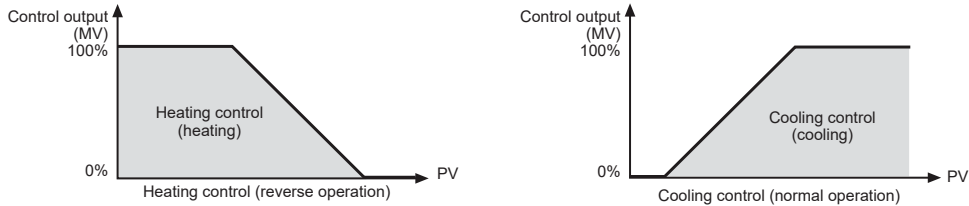
※When auto-tuning is in progress, parameters can only be referenced and not altered.

※Auto-tuning is not available in manual control.

# High Performance, General-Purpose, PID Control

## ◎ Control output operation mode [P-Ft]

- Control output modes for general temperature control include heating, cooling, and heating and cooling.
- Heating control and cooling control are mutually opposing operations with inverse outputs.
- The PID time constant varies based on the controlled objects during PID control.



Setting group	Parameter	Setting range	Factory default	Unit
PRr3	P-Ft	Standard model HEAt / COOL	HEAt	—
		Heating & Cooling model HEAt / COOL / H-C	H-C	—

### ● Heating control [HEAt]

Heating control mode: the output will be provided in order to supply power to the load (heater) if PV (Present Value) falls below SV (Set value).

### ● Cooling control [COOL]

Cooling control mode: the output will be provided in order to supply power to the load (cooler) if PV (Present Value) rises above SV (Set value).

### ● Heating and cooling control [H-C]

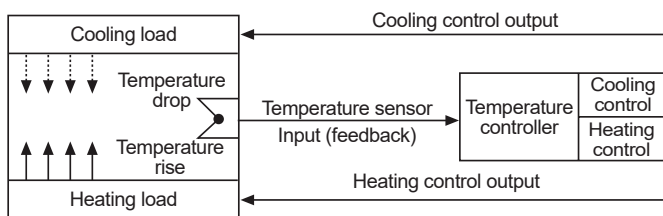
Heating and cooling control mode: heating and cooling with a single temperature controller when it is difficult to control subject temperature with only heating or cooling.

Heating and cooling control mode controls the object using different PID time constants for each heating and cooling.

It is also possible to set heating and cooling control in both PID control or ON/OFF control mode.

Heating/cooling output can be selected among Relay output, SSR drive output and current output depending on model types chosen according to your application environment.

(Note that only standard SSR control is available for SSR drive output in OUT2.)



※For heating and cooling control, OUT1 control output is dedicated to heating control and OUT2 control output to cooling control.

## ◎ Control output (OUT1/OUT2) selection [OUT1 // OUT2]

- In case of selecting the Models with current control output, both current and SSR drive outputs are available. You can therefore choose the right output type depending on application environments.
  - OUT1: Selects OUT1 control output.
  - OUT2: Selects OUT2 control output.

Setting group	Parameter	Setting range	Factory default	Unit
PRr3	OUT1	SSr / COOL	SSr	—
	OUT2			

- (A) Photoelectric Sensors
- (B) Fiber Optic Sensors
- (C) Door/Area Sensors
- (D) Proximity Sensors
- (E) Pressure Sensors
- (F) Rotary Encoders
- (G) Connectors/ Connector Cables/ Sensor Distribution Boxes/Sockets
- (H) Temperature Controllers
- (I) SSRs / Power Controllers
- (J) Counters
- (K) Timers
- (L) Panel Meters
- (M) Tacho / Speed / Pulse Meters
- (N) Display Units
- (O) Sensor Controllers
- (P) Switching Mode Power Supplies
- (Q) Stepper Motors & Drivers & Controllers
- (R) Graphic/ Logic Panels
- (S) Field Network Devices
- (T) Software

## ◎ Communication output

It is for parameter setting and monitoring via external devices (PC, PLC, etc.).

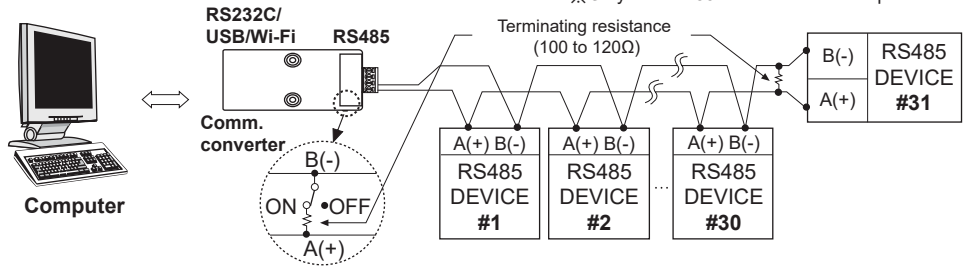
### • Interface

Comm. protocol	Modbus RTU	Comm. speed	2400, 4800, 9600, 19200, 38400 bps
Connection type	RS485	Comm. response wait time	5 to 99 ms
Application standard	Compliance with EIA RS485	Start bit	1-bit (fixed)
Max. connection	31 units (address: 01 to 99)	Data bit	8-bit (fixed)
Synchronous method	Asynchronous	Parity bit	None, Odd, Even
Comm. method	Two-wire half duplex	Stop bit	1-bit, 2-bit
Comm. distance	Max. 800m		

※It is not allowed to set overlapping communication address at the same communication line.

Use twisted pair wire for RS485 communication.

### • Application of system organization



※It is recommended to use Autonics communication converter; SCM-WF48 (Wi-Fi to RS485:USB wireless communication converter, sold separately), SCM-US48I (USB to RS485 converter, sold separately), SCM-38I (RS232C to RS485 converter, sold separately), SCM-US (USB to Serial converter, sold separately).

Please use twisted pair wire, which is suitable for RS485 communication, for SCM-WF48, SCM-US48I and SCM-38I.

## ◎ For more information, refer to the user manual.

## ■ Proper Usage

### ◎ Simple "Error" diagnosis

#### • When the load (heater etc) is not operated

Please check operation of the OUT indicator located in front panel of the unit.

If the OUT indicator does not operate, please check the parameter of all programmed mode.

If OUT indicator is operating, please check the output (Relay, SSR drive voltage) after separating output line from the unit.

#### • When it displays $\square PE \eta$ during operation

This is a warning that external sensor is open. Please turn off the power and check the wire state of the sensor. If sensor is not open disconnect sensor line from the unit and short the input +, - terminal. Turn on the power of the unit and check the controller displays room temperature.

If this unit cannot display room temperature, this unit is broken. Please remove this unit and contact our service center. (When the input mode is thermocouple, it is available to display room temperature.)

#### • In case of indicating "Error" in display

This Error message is indicated in case of damaging inner chip program data by outer strong noise.

In this case, please send the unit to our after service center after removing the unit from system.

Noise protection is designed in this unit, but it does not stand up strong noise continuously. If bigger noise than specified (Max. 2kV) flows in the unit, it can be damaged.

### ◎ Cautions during use

- Follow instructions in 'Cautions during Use'. Otherwise, It may cause unexpected accidents.
- Check the polarity of the terminals before wiring the temperature sensor.
  - For RTD temperature sensor, wire it as 3-wire type, using cables in same thickness and length.
  - For thermocouple (CT) temperature sensor, use the designated compensation wire for extending wire.
- Keep away from high voltage lines or power lines to prevent inductive noise.
  - In case installing power line and input signal line closely, use line filter or varistor at power line and shielded wire at input signal line.
  - Do not use near the equipment which generates strong magnetic force or high frequency noise.
- Do not apply excessive power when connecting or disconnecting the connectors of the product.
- Install a power switch or circuit breaker in the easily accessible place for supplying or disconnecting the power.
- Do not use the unit for other purpose (e.g. voltmeter, ammeter), but temperature controller.
- When changing the input sensor, turn off the power first before changing.
  - After changing the input sensor, modify the value of the corresponding parameter.
- 24VAC, 24-48VDC power supply should be insulated and limited voltage/current or Class 2, SELV power supply device.
- Do not overlapping communication line and power line.
  - Use twisted pair wire for communication line and connect ferrite bead at each end of line to reduce the effect of external noise.
- Make a required space around the unit for radiation of heat.
  - For accurate temperature measurement, warm up the unit over 20 min after turning on the power.
- Make sure that power supply voltage reaches to the rated voltage within 2 sec after supplying power.
- Do not wire to terminals which are not used.
- This unit may be used in the following environments.
  - ①Indoors (in the environment condition rated in 'Specifications')
  - ②Altitude max. 2,000m
  - ③Pollution degree 2
  - ④Installation category II



## X-ON Electronics

Largest Supplier of Electrical and Electronic Components

*Click to view similar products for [Temperature Sensor Modules](#) category:*

*Click to view products by [Autonics](#) manufacturer:*

Other Similar products are found below :

[HPP809A031](#) [MBT 3560-0000-0050-10-110](#) [MBT 3560-0000-0100-10-110](#) [MBT 3560-0001-0050-10-120](#) [MBT 3560-0001-0100-10-120](#)  
[TCN4L-22R](#) [TX4H-14R](#) [TX4H-24R](#) [TX4H-A4R](#) [TX4H-B4R](#) [TX4L-14R](#) [TX4L-A4R](#) [TX4L-B4R](#) [TX4M-14R](#) [TX4M-24R](#) [TX4M-A4R](#)  
[TX4M-B4R](#) [QP99](#) [CP-02](#) [CP82](#) [CP99](#) [R38-LAOO](#) [R38-LARR](#) [72-11304023-0150.0050](#) [72-11304027-0150.0050](#) [72-23304003-](#)  
[0150.0050.GGP](#) [72-23904001-0300.0040.TM](#) [72-34904001-0300.0040.TM](#) [TEM 73 A](#) [AT403-414-1000](#) [AT403-614-1000](#) [AT-503-1141-000](#)  
[AT-503-1161-000](#) [AT-503-6140-000](#) [AT-603-1141-000](#) [AT603-414-1000](#) [AT-903-1161-000](#) [ATR121-AD](#) [ATR121-B](#) [TPMC-5](#) [TPMC-8W](#)  
[K39-HCRR](#) [K39T-HCRR](#) [K49-HCRR](#) [K49P-HCRR](#) [K85-HERR](#) [KR1-LCRR-D](#) [LHI874](#) [LHI944](#) [LHI968](#)