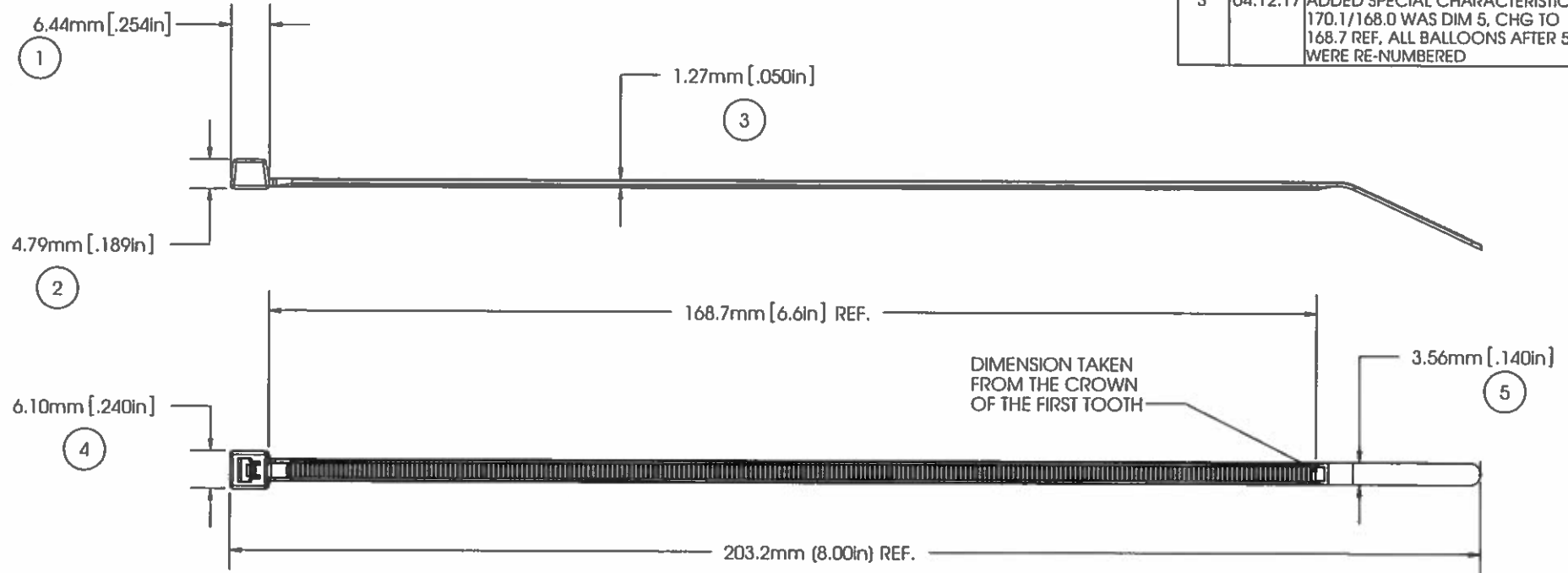


# AVERY DENNISON MARKETING SPECIFICATION

THE SUBJECT MATTER DISCLOSED HEREIN EMBODIES PROPRIETARY INFORMATION WHICH IS THE CONFIDENTIAL PROPERTY OF THE AVERY DENNISON CO. NONE OF WHICH SHALL BE COPIED, REPRODUCED, DISCLOSED TO OTHERS, PUBLISHED OR USED IN WHOLE OR IN PART, FOR ANY PURPOSE OTHER THAN THAT FOR WHICH IT IS BEING MADE AVAILABLE WITHOUT THE EXPRESS ADVANCE WRITTEN PERMISSION OF A DULY AUTHORIZED AGENT OF THE COMPANY. THIS DOCUMENT IS THE PROPERTY OF THE AVERY DENNISON CO. AND IS TO BE RETURNED TO THE COMPANY ON DEMAND.

## HISTORY

REV.	DATE	DESCRIPTION
P	07.15.09	UPDATE MATERIAL DESCRIPTION
Q	08.08.12	BALLOON 5 CHG TO MATCH ACT
R	09.05.14	CHG DIM 1 TO BE TAKEN FROM BOTTOM OF THE HEAD. MADE MM THE PRIMARY UNITS
S	04.12.17	ADDED SPECIAL CHARACTERISTICS: 170.1/168.0 WAS DIM 5. CHG TO 168.7 REF. ALL BALLOONS AFTER 5 WERE RE-NUMBERED



### NOTE:

1. SPECIAL CHARACTERISTICS ARE NOTED BY A TRIANGLE ( Δ )

⑥	Δ FLAMMABILITY RATING:	HB RATED PER FMVSS302
⑦	Δ TENSILE STRENGTH:	40 LBF /180N MIN. PER AS-23190
	OPERATING TEMP:	-40°F(-40°C) TO 220°F (105°C)
	MIN. INSTALLATION TEMP:	32°F(0°C)
	WEIGHT:	1.0g/0.04oz.
	BUNDLE DIAMETER:	Ø 1.6mm TO Ø 54.0mm
	TOOL:	12001 - HAND INSTALLATION TOOL 12500 - PNUM. INSTALLATION TOOL
	TOOL TENSION SETTING:	3-5
	PACKAGING:	1000/BAG, 5000/CASE

APPROVALS:	ENG. APPR.	<i>[Signature]</i> 4/12/17
	Q.A. APPR.	<i>Carlin &amp; Ailancourt</i> 4/12/17

SPECIFIED TOLERANCES ARE:	
.XX ± .03 in.	.X ± 0.8 mm
.XXX ± .010 in.	.XX ± .25 mm
ANGULAR: ± 2°	

MATERIAL	NYLON 6/6, HEAT STABILIZED
COLOR	BLACK

<b>AVERY DENNISON</b>	FASTENER DIVISION FITCHBURG, MA 01420 U.S.A. TEL. 1-800-225-5913 FAX. 978-353-8157
	DESCRIPTION

8" CABLE TIE, INTERMED.	
STOCK NO.	08401-0
REV.	S

5

4

3

2

1

## X-ON Electronics

Largest Supplier of Electrical and Electronic Components

*Click to view similar products for [Cable Ties](#) category:*

*Click to view products by [Avery Dennison](#) manufacturer:*

Other Similar products are found below :

[65037-C](#) [770-1751-10](#) [REL50L0C2](#) [20093-0](#) [SF600-120X](#) [SJ3518FR-1x50](#) [SJ3526N-Beige-2"x50yd](#) [SJ3526N BLACK 58" X 50YD](#) [SJ3571](#)  
[SJ-3571-1"x50yd-Black](#) [PLT2S-C4](#) [34-455-C](#) [3722](#) [561-B110120](#) [561-N3510](#) [TYZ528M](#) [34-463-C](#) [URT20S-M](#) [06226](#) [08350-0](#) [08600-0](#)  
[08376-0](#) [10325-0](#) [10362-0](#) [10606-0](#) [561-EZ250](#) [561-EZ625](#) [SJ3527N-Beige-2"x50yd](#) [SJ3527N-LOOP-BLACK-1](#) [SJ3572-2"x50yd-Black](#)  
[CF5625-000](#) [65004-C](#) [65005-C](#) [65007-C](#) [65036-C](#) [157-00039](#) [770-1708](#) [770-1753-10](#) [770-1752](#) [SPNY-041-9](#) [SF400-120X](#) [3719](#) [08582-0](#)  
[08386-0](#) [10431-0](#) [08359-0](#) [10620-0](#) [10345-0](#) [08416-0](#) [08384-0](#)