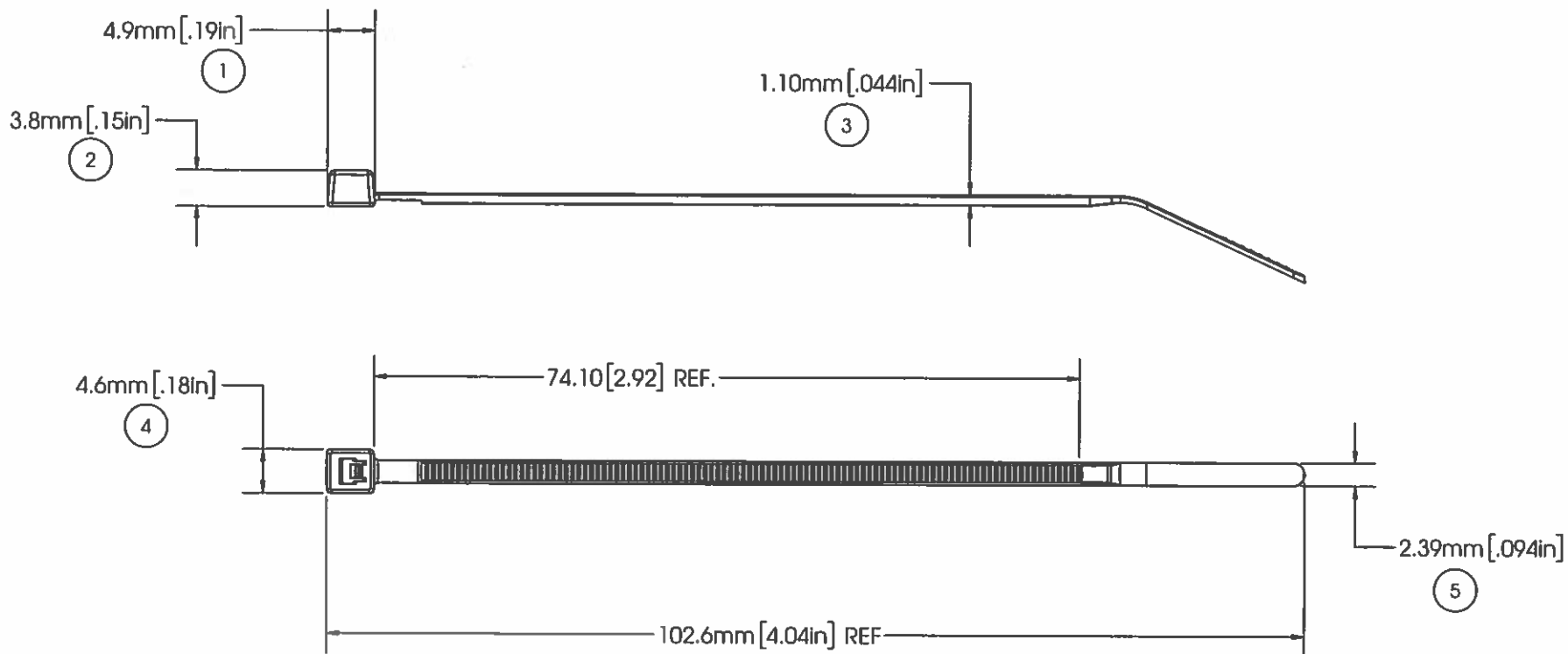


AVERY DENNISON MARKETING SPECIFICATION

HISTORY

REV.	DATE	DESCRIPTION
A	2/27/17	INITIAL RELEASE

THE SUBJECT MATTER DISCLOSED HEREIN EMBODIES PROPRIETARY INFORMATION WHICH IS THE CONFIDENTIAL PROPERTY OF THE AVERY DENNISON CO. NONE OF WHICH SHALL BE COPIED, REPRODUCED, DISCLOSED TO OTHERS, PUBLISHED OR USED IN WHOLE OR IN PART, FOR ANY PURPOSE OTHER THAN THAT FOR WHICH IT IS BEING MADE AVAILABLE WITHOUT THE EXPRESS ADVANCE WRITTEN PERMISSION OF A DULY AUTHORIZED AGENT OF THE COMPANY. THIS DOCUMENT IS THE PROPERTY OF THE AVERY DENNISON CO. AND IS TO BE RETURNED TO THE COMPANY ON DEMAND.



6	Δ LOOP TENSILE:	18 LBF / 80N MIN.
7	Δ FLAMMABILITY:	HB RATED PER FMVSS302
	OPERATING TEMP RANGE:	-40°F (-40°C) TO 302°F (150°C) CONTINUOUS AND 329°F (165°C) AT MAXIMUM EXPOSURE
	MIN. INSTALLATION TEMP:	32°F (0°C)
	WEIGHT:	0.3 g. / 0.01 oz
	BUNDLE DIAMETER:	Ø 1.6mm (.06in) TO Ø 2.2mm (.87in)
	TOOL:	12001 - HAND INSTALLATION TOOL 12500 - PNEUM. INSTALLATION TOOL
	TOOL TENSION SETTING:	1 - 3
	PACKAGING:	1000/BAG 25000/CASE

NOTES:
1. Δ INDICATES A SPECIAL CHARACTERISTIC

APPROVALS:	ENG. APPR. <i>[Signature]</i> 2/27/17
	Q.A. APPR. <i>[Signature]</i> 2/27/17

AVERY DENNISON
FASTENER DIVISION
 FITCHBURG, MA 01420 U.S.A.
 TEL. 1-800-225-5913
 FAX. 978-353-8157

SPECIFIED TOLERANCES ARE:	MATERIAL NYLON 6/6, IMPACT MODIFIED HEAT STABILIZED COLOR <p style="text-align: center; font-weight: bold;">BROWN</p>	DESCRIPTION 4 " CABLE TIE MINIATURE, HIGH HEAT	STOCK NO. <p style="text-align: center; font-weight: bold; font-size: 1.2em;">08404-HHBN</p>	REV. <p style="text-align: center; font-weight: bold;">A</p>
.XX ± .03 IN. .X ± .7 MM .XXX ± .010 IN. .XX ± .25 MM ANGULAR: ± 2°				

X-ON Electronics

Largest Supplier of Electrical and Electronic Components

Click to view similar products for [Cable Ties](#) category:

Click to view products by [Avery Dennison](#) manufacturer:

Other Similar products are found below :

[65034-C](#) [65037-C](#) [770-1751-10](#) [REL50L0C2](#) [20093-0](#) [SF600-120X](#) [SJ3518FR-1x50](#) [SJ3526N-Beige-2"x50yd](#) [SJ3526N BLACK 58" X 50YD](#) [SJ3571](#) [SJ-3571-1"x50yd-Black](#) [PLT2S-C4](#) [34-455-C](#) [3722](#) [561-B110120](#) [561-N3510](#) [TYZ528M](#) [34-463-C](#) [URT20S-M](#) [06226](#) [08350-0](#) [08600-0](#) [08376-0](#) [10325-0](#) [10362-0](#) [10606-0](#) [561-EZ250](#) [561-EZ625](#) [SJ3527N-Beige-2"x50yd](#) [SJ3527N-LOOP-BLACK-1](#) [SJ3572-2"x50yd-Black](#) [CF5625-000](#) [V03HK](#) [65004-C](#) [65005-C](#) [65007-C](#) [65036-C](#) [157-00039](#) [770-1708](#) [770-1753-10](#) [65035-C](#) [770-1752](#) [SPNY-041-9](#) [SF400-120X](#) [3719](#) [08582-0](#) [08386-0](#) [10431-0](#) [08359-0](#) [10620-0](#)